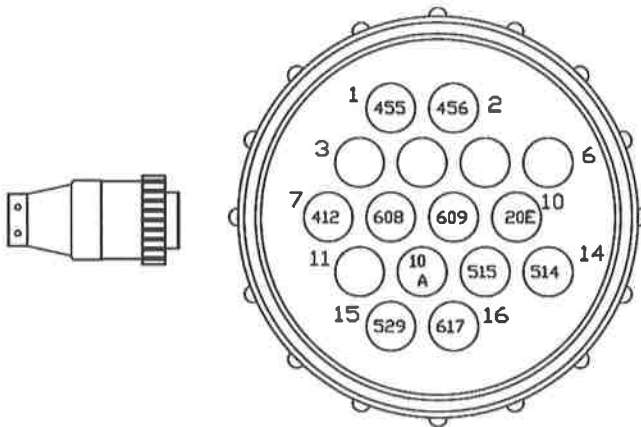


## Instructions on Setting up 9960 and 9970 head to work on both 60 and 70 combines

### 9960 Header Connector wiring

X5020	HEADER HARNESS	
PIN	WIRE CODE	COLOR
1	455	LT GREEN
2	456	LT GREEN
3	-	
4	-	
5	-	
6	-	
7	412	LT GREEN
8	608	DK GREEN
9	609	DK GREEN
10	20E	BLACK
11	-	
12	10A	BLACK
13	515	BROWN
14	514	BROWN
15	529	BROWN
16	617	DK GREEN



### For the older 9960 header to work with both 9960's and 9970's do the following

- Install Kit number 71094
  - Parts list and marked pages of what to replace is attached
  - The sprocket change is optional. It will give you more torque on 9970's but will limit high end of auger speed when on 9960. For your application I'd change them
- Add a pin with 6" wire to pin position 3 and run it to pin A of a male three pin connector
- Cut wires 455 & 456 (pins 1 and 2) about 6" away from connector and run side closet to connector to pin B & C of the male three pin connector
- Take other side of 455 & 456 and run them to position B & C of a female three pin connector
- You'll connect this connector when using the header on a 9960
- Take another femal 3 pin connector and put short wire in each pin psotion. Tie all three of these wires together. PosiPostion and wire color doesn't matter.
- Connect this connector when running header on 9960
  - Tying these wires together tells the combine what header type is being used. Without this header will not run on a 9970

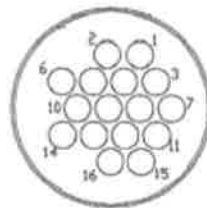
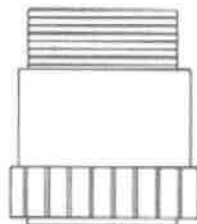
On the new 9970 header to run on 9960 without having a constant header auger stalled alarm do below.

- 6 " back from header connector splice in a 7" wire to cc# 250 (black wire)
- Put an pin on the other end of wire and insert into pin 16 of header connector
  - Note this will not affect anything on 9970 combines. It just satisfies the header auger alarm by grounding it. When on the 9960 the header alram will not sound when stalled

9970 Header Connector Wiring

(71) X901  
HEADER EXTENTION

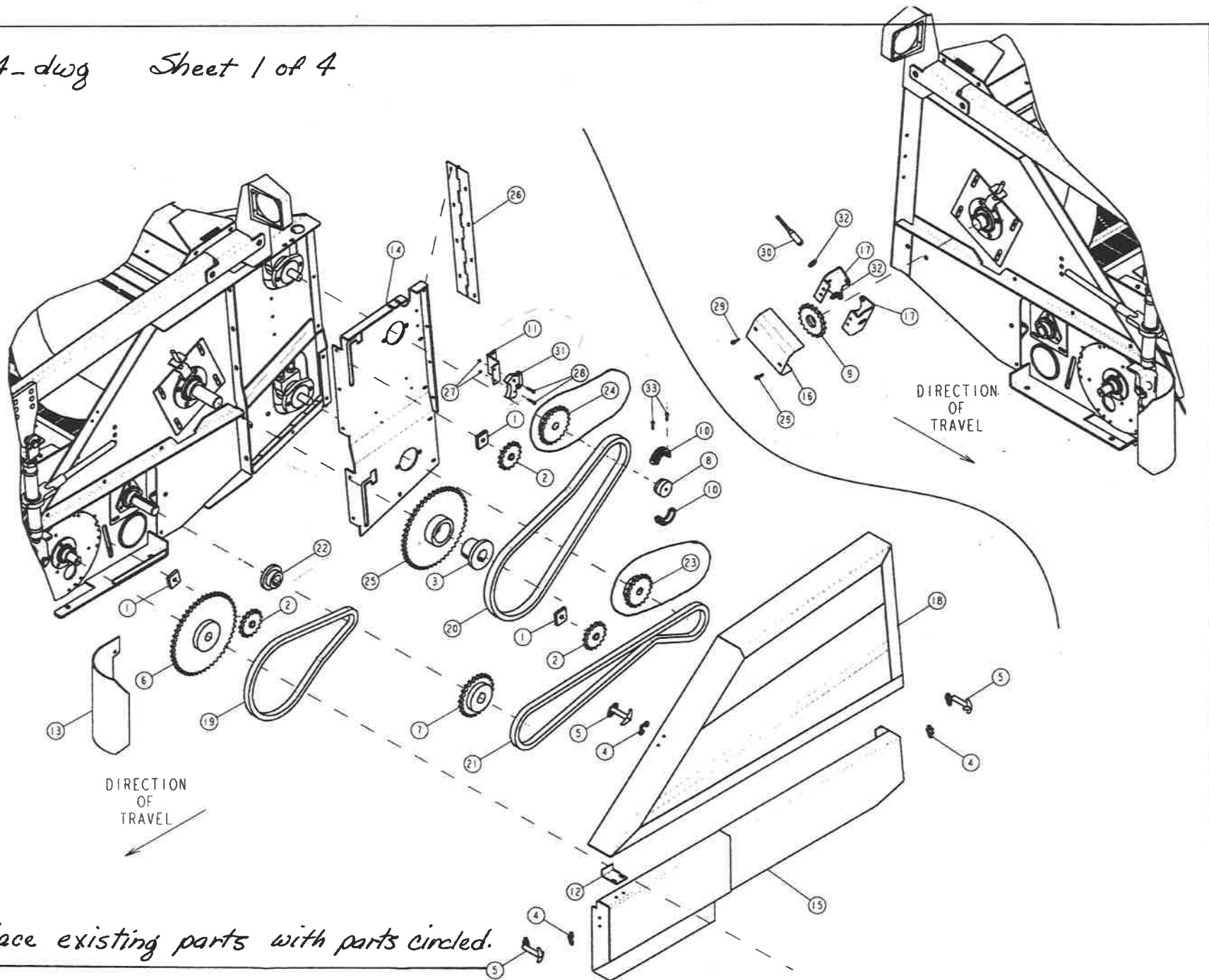
X901	HEADER EXT.	
PIN	WIRE CODE	COLOR
1	431	DIN-BRN
2	434	DIN-YEL
3	802	DIN-RED
4		DIN-RED
5		
6	556	DIN-BLU
7	401A	DIN-BRN
8	401B	DIN_BRN
9	604	DIN_YEL
10	250F	DIN-BLK
11		
12	010J	DIN-BLK
13	516B	DIN-BLU
14	515	DIN-GRN
15	564B	DIN-YEL
16		



For 9960 combine to connect the larger hydraulic Quick Disconnects on all headers do below

- Install kit 71059
  - Parts list attached

PAGE 20

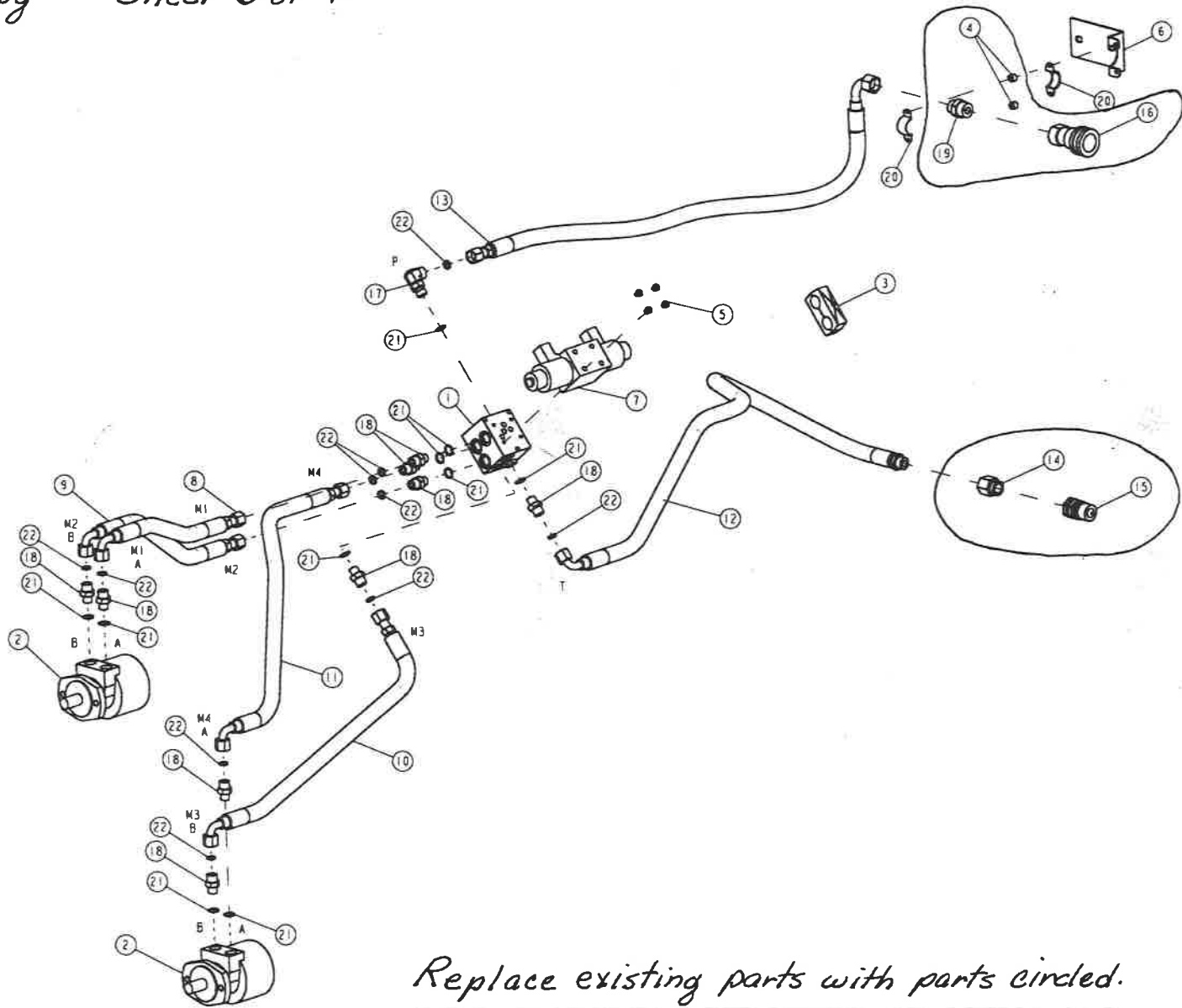


Replace existing parts with parts circled.

MP925-6, -6R DRIVES AND SHIELDS

ITEM	PART NUMBER	DESCRIPTION	QTY SHOWN	QTY REQ'D	COMMENTS
1	2020	NUT, 5/8-11, 2X1-3/4 IDLER ADJ	3		
2	5122	IDLER, NO. 60 CHAIN SPROCKET	3		
3	5689	BUSHING, Q1 1-11/16	1		
4	7023	CATCH, HOOK	3		
5	7024	HOOK, SPRING LOADED; 90 DEGREE	3		
6	51051	SPROCKET, 60B48 F1-3/16	1		
7	51079	SPROCKET, 60B24 F1-7/16; 2 SETSCREWS	1		
8	51342	MOUNT, SPEED SENSOR; HEADER	1		
9	51488	SPROCKET, 60A18 SHAFT SPEED INDICATOR, 1-11/16	1		
10	80198	ACTUATOR, HALF, LARGE MAGNETIC	2		
11	124341	BRACKET, HEADER SPEED SENSOR	1		
12	124870	STOP, HEADER SHIELD	1		
13	127371	SHIELD, RATCHET JACK	2		
14	127406	MOUNT, MOTOR	1		
15	127416	SHIELD, PICK-UP DRIVE	1		
16	127482	SHIELD, SHAFT SPEED INDICATOR	1		
17	127746	MOUNT, SHAFT SPEED PICK-UP	2		
18	128364	SHIELD, HEADER	1		
19	4043D-69	CHAIN, NO. 60 ROLLER; 67 PITCHES+CONN.+OFFSET	1		
20	4043D-90	CHAIN, NO. 60 ROLLER, 89 PITCHES+CONNECTOR	1		
21	4043D-102	CHAIN, NO. 60 ROLLER, 101 PITCHES + CONNECTOR	1		
22	60B13-1-7	SPROCKET, 60B13-1-7	1		
23	60B18-1	SPROCKET, 60B18 F1	1		
24	60B21-1	SPROCKET, 60B21 F1	1		
25	60048	SPROCKET, 60048	1		
26	61767	HINGE, 22 X 1/4 PIN ZINC PLATED	1		
27	G116003	NUT, 10-24 USS	2		
28	G132852	SCREW, 10-24 X 1-1/4 ROUND HEAD MACHINE	2		
29	G180071	SCREW, 1/4-20 X 1 FLANGE HEAD	2		
30	JAH116104	SENSOR, SHAFT SPEED (40-47)	1		
31	JAH131320	SWITCH, SLOW SHAFT SPEED	1		
32	JH104418	NUT, SENSOR FOR TRANSMISSION	2		
33	JH168924	SCREW-LOCK, STAINLESS STEEL	2		

71094 - dwg Sheet 2 of 4



M65XX-SX HYD PACKAGE	SAVED AS: MP925-6-STANDARD_HYD_09	MODEL: MP925-6-STANDARD_HYD_09	SCALE 0.156	STL: July-07-03
SECTION TITLE MP925-6, -6R HEADER HYDRAULICS		SIMP. REP: STANDARD_HYD	CHB: Jan-07-05; 2/21/06, 11/21/08	

MP925-6, -6R HEADER HYDRAULICS

ITEM	PART NUMBER	DESCRIPTION	QTY SHOWN	QTY REQ'D	COMMENTS
1	14957	MANIFOLD, 2 CHECK FOR REV HEADER	1		
2	15936	MOTOR, HYD 9 9/16 IN BI-ROTATION	2		
3	20289	CLAMP, DUAL 1 3/16 OD HOSE; S/S	1		
4	21019	SPACER, 7/16 LG X 9/32 ID X 5/8 OD	2		
5	80422	PLUG, PROTECTIVE, .456 DIA	4		
6	124726	MOUNT, HEADER OD	1		
7	140183	VALVE, REVERSING, 3POS, FITS 14957	1		
8	140382	HOSE, 3/4X19 3000 PSI HYDRAULIC	1		
9	140382	HOSE, 3/4X19 3000 PSI HYDRAULIC	1		
10	140383	HOSE, 3/4 X 31 3000 PSI HYDRAULIC	1		
11	140383	HOSE, 3/4 X 31 3000 PSI HYDRAULIC	1		
12	140387	HOSE, 3/4 X B3 3000 PSI HYDRAULIC	1		
13	140407	HOSE, 3/4 X 55 3000 PSI HYDRAULIC	1		
14	140859	HYDF, 16 - 12 ORB MF REDUCER/EXPANDER	1		
15	140868	HYDF, 16 ORB F - 1" OD M	1		
16	140869	HYDF, 16 ORB F - 1" OD F	1		
17	J38H1006	ELBOW, STRAIGHT THREAD (10 CSOLO)	1		
18	J38H1162	HYDF, -10 ORFS TO -10 ORB STRT	9		
19	J38H1194	HYDF, -12 ORS M TO -16 ORB M	1		
20	JH117229	YOKE, CLAMP QUICK DISCONNECT COUPLER	2		
21	JR26906	O-RING, -10 ORB (1/8-14 STRT THRD)	10		
22	JT77932	O-RING, -10 ORFS	10		

71094-dwg Sheet 4 of 4

**Single Level Bill of Material - 71094, Kit,mp921,-25 Update2009 A9960**

<u>Component</u>	<u>Description</u>	<u>Qty.</u>	<u>UOM</u>	<u>Class</u>
J38H1194	HYDF,-16 ORB X 12 ORF M ADPTER	1	EA	PUR
140859	HYDF, 16-12 BUSHING ORB MF	1	EA	PUR
140868	HYDF,16 ORB F - 1" QD M	1	EA	PUR
140869	HYDF,16 ORB F - 1" QD F	1	EA	PUR
21019	SPACER,7/16 LG X 9/32 ID X 5/8	2	EA	FAB
60B18-1	SPROCKET,60B18 F1; 2SS	1	EA	PUR
60B21-1	SPROCKET,60B21; F1	1	EA	PUR
71094_DWG	DRAWING,71094 UPDATE KIT	1	EA	CAT

**Single Level Bill of Material - 71059 Kit,adapter;hv Hdr Drive<30'hd**

<u>Component</u>	<u>Description</u>	<u>Qty.</u>	<u>UOM</u>	<u>Class</u>
J38H1194	HYDF,-16 ORB X 12 ORF M ADPTER	1	EA	PUR
140859	HYDF, 16-12 BUSHING ORB MF	1	EA	PUR
140868	HYDF,16 ORB F - 1" QD M	1	EA	PUR
140869	HYDF,16 ORB F - 1" QD F	1	EA	PUR