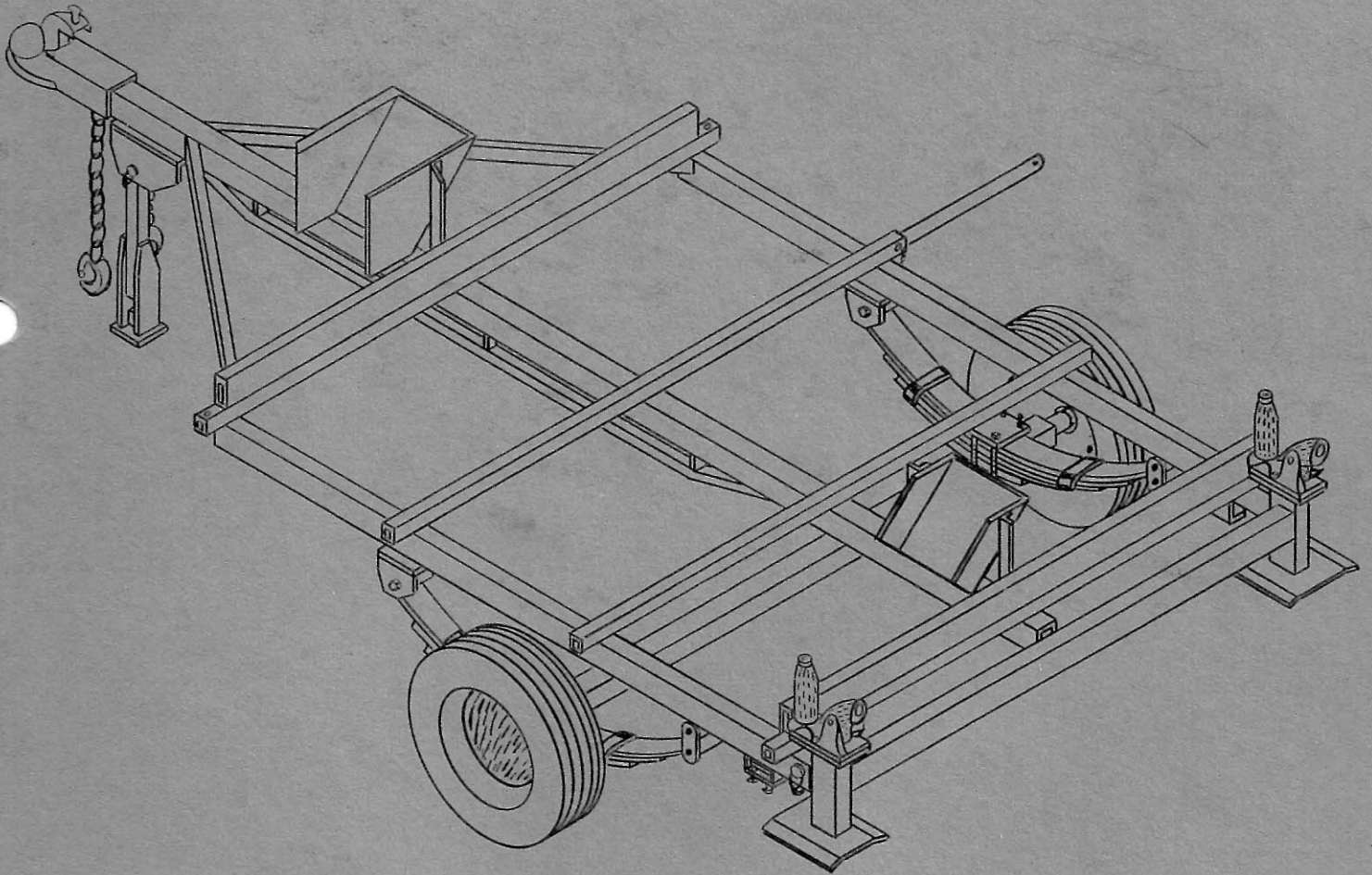


HOBBS

MODEL-454
TRANSPORTER



PARTS CATALOG

HOBBS ENGINEERING CO.

SUFFOLK, VA., U. S. A.

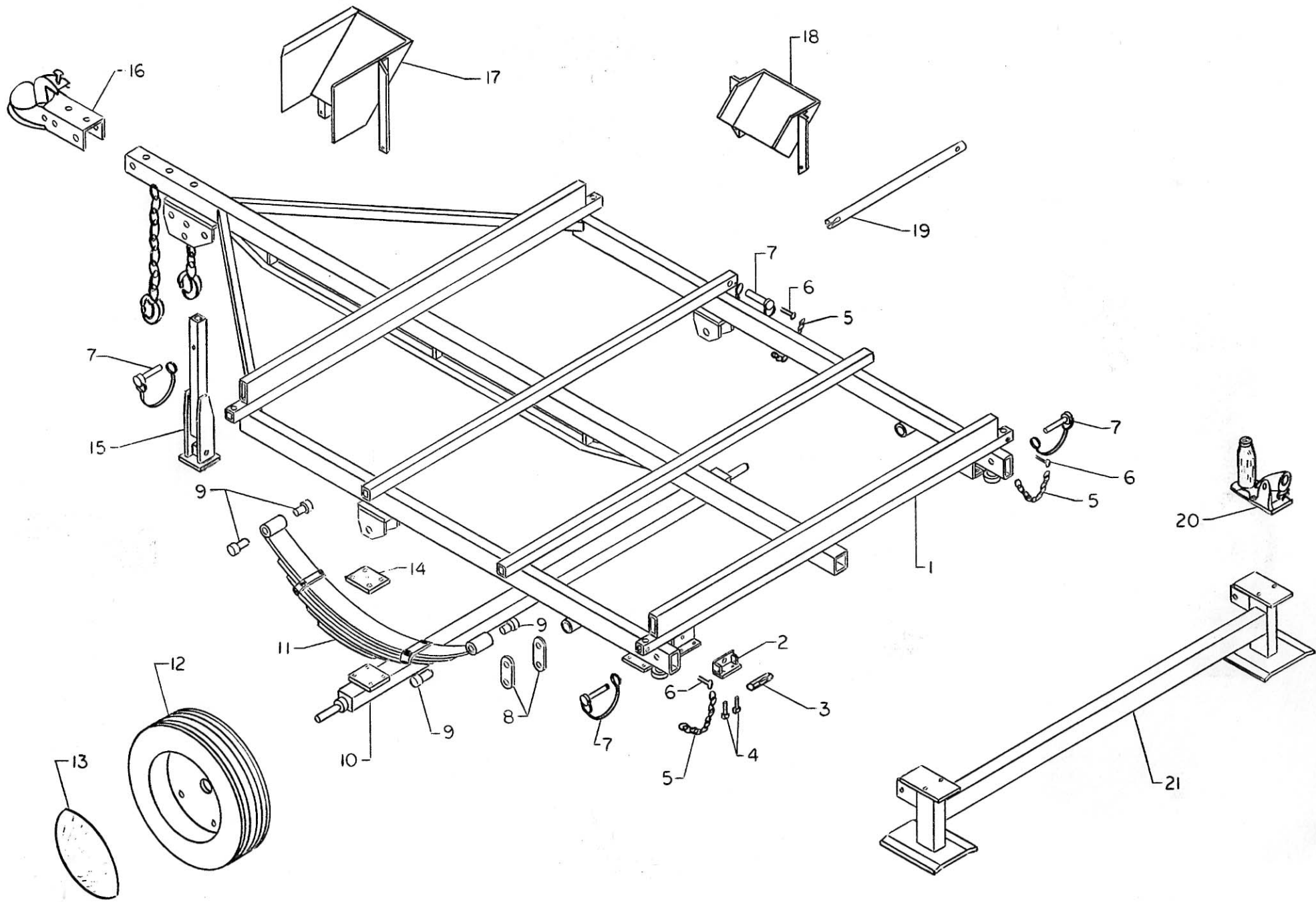


MODEL 454 TRANSPORTER

Parts Catalog

CONTENTS

	Page
Assembly Section.....	3



ASSEMBLY SECTION

No.	Part No.	Description	No. Req'd
1	9549	Trailer Frame	1
2	6386	Level Mount	2
3	6387	Level	2
4	6102874 1/4" x 1" Adjusting Set Screws		4
5	4294-5 Attaching Chain (5 Links)		3
6	2201 Cotter Pin, $\frac{3}{16} \times \frac{3}{4}$		3
7	2050	Lock Pin	4
8	6388	Spring Shackle	4
9	4160	Rubber Bushings	8
10	9550	Axle	1
11	7033	Leaf Spring	2
12	8038	Wheel, Tire, etc. Assembly	2
--	8036	Tire	2
--	8037	Tube	2
--	8031	Wheel	2
--	8024	Hub & Cup Assembly	2
--	8035	Bearing Cup	2
--	8025	Cone & Roller Assembly, Inner	2
--	8026	Cone & Roller Assembly, Outer	2
--	8028	Hub Cap	2
--	8030	O Ring	2
--	8027	Seal	2
--	8029 8010 Lug Bolts		10
13	8034	Chrome Wheel Cover	2
14	9551	Axle Attaching Plate	2
15	9552	Trailer Stand	1
16	6389	Trailer Hitch Assembly	1
17	12728	Front Deflector	1
18	12729	Rear Deflector	1
19	6390	Jack Handle	1
20	6391	Hydraulic Jack	2
21	6392	Jack Stand	1

WARRANTY

We warrant each new machine sold by us to be free from manufacturing defects in normal service for a period of six (6) months commencing with delivery of the machine to the original user.

Our obligation under this Warranty is expressly limited to the replacement or repair at Hobbs Engineering Company, Suffolk, Virginia, or at a point designated by us, of such part or parts as shall appear to us to have been defective.

We shall not be liable for consequential labor costs or transportation charges in connection with the replacement or repair of defective parts.

This Warranty does not apply to a machine upon which repairs or alterations have been made by others except with our written approval.

We make no Warranty with respect to trade accessories. They are subject to the warranties of their manufacturers.

We shall not be liable for consequential damages or contingent liabilities nor for the fitness of any machine for any particular purpose.

We make no other express, implied, or statutory Warranty, nor is anyone authorized to make any in our behalf.

IMPROVEMENTS

Hobbs Engineering Company is constantly striving to improve its machines. Changes in design and improvement will be made whenever the manufacturer believes the efficiency of the machines will be improved thereby, but without incurring any obligations to incorporate such improvements in any machines which have been shipped or are in service.