

# TABLE OF CONTENTS

2nd Edition

September 1, 1988

## 248-24 Flight Chain Conveyor

SECTION

PAGE

1. Shields & Panels Section.....	3
2. Drive Section.....	7
Numerical Parts Index.....	8
Warranty	

### NOTE

**The Terms "Left" and "Right" used in the description of parts are determined by facing the direction of travel of the machine.**

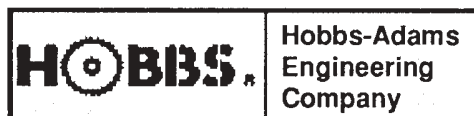
---

---

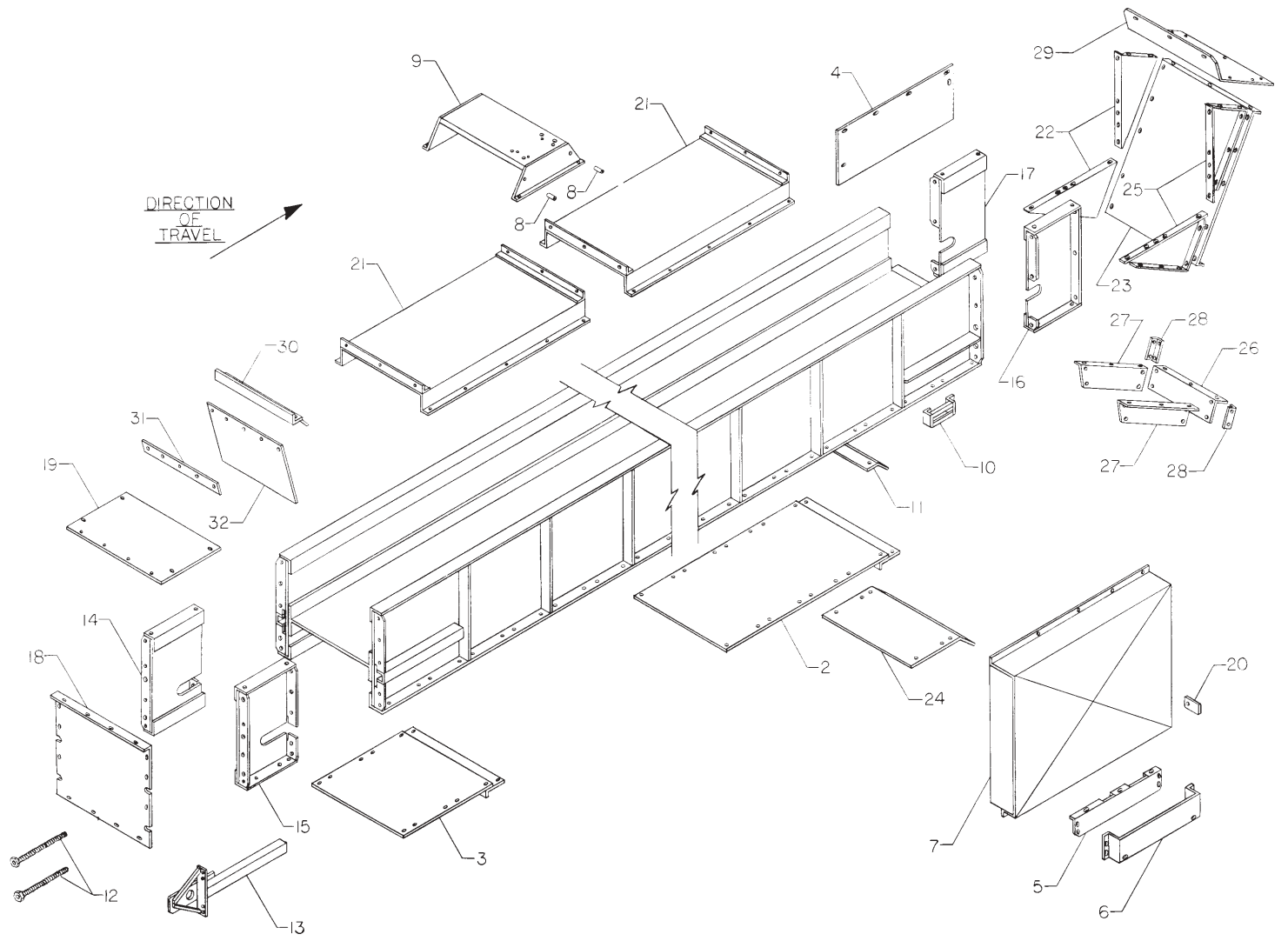
Owners Name \_\_\_\_\_

Address \_\_\_\_\_

Model No. \_\_\_\_\_ Serial No. \_\_\_\_\_ Date Purchased \_\_\_\_\_



1100 Holland Road Suffolk, VA 23434 U.S.A. (804) 539-0231  
Telex - 494-6083 / Cable - Hoaden Suffolk / Fax - (804) 934-3264  
Branch Office  
1701 S. Slappey Blvd. Albany, GA 31706 (912) 439-2217



1. SHIELDS & PANELS SECTION

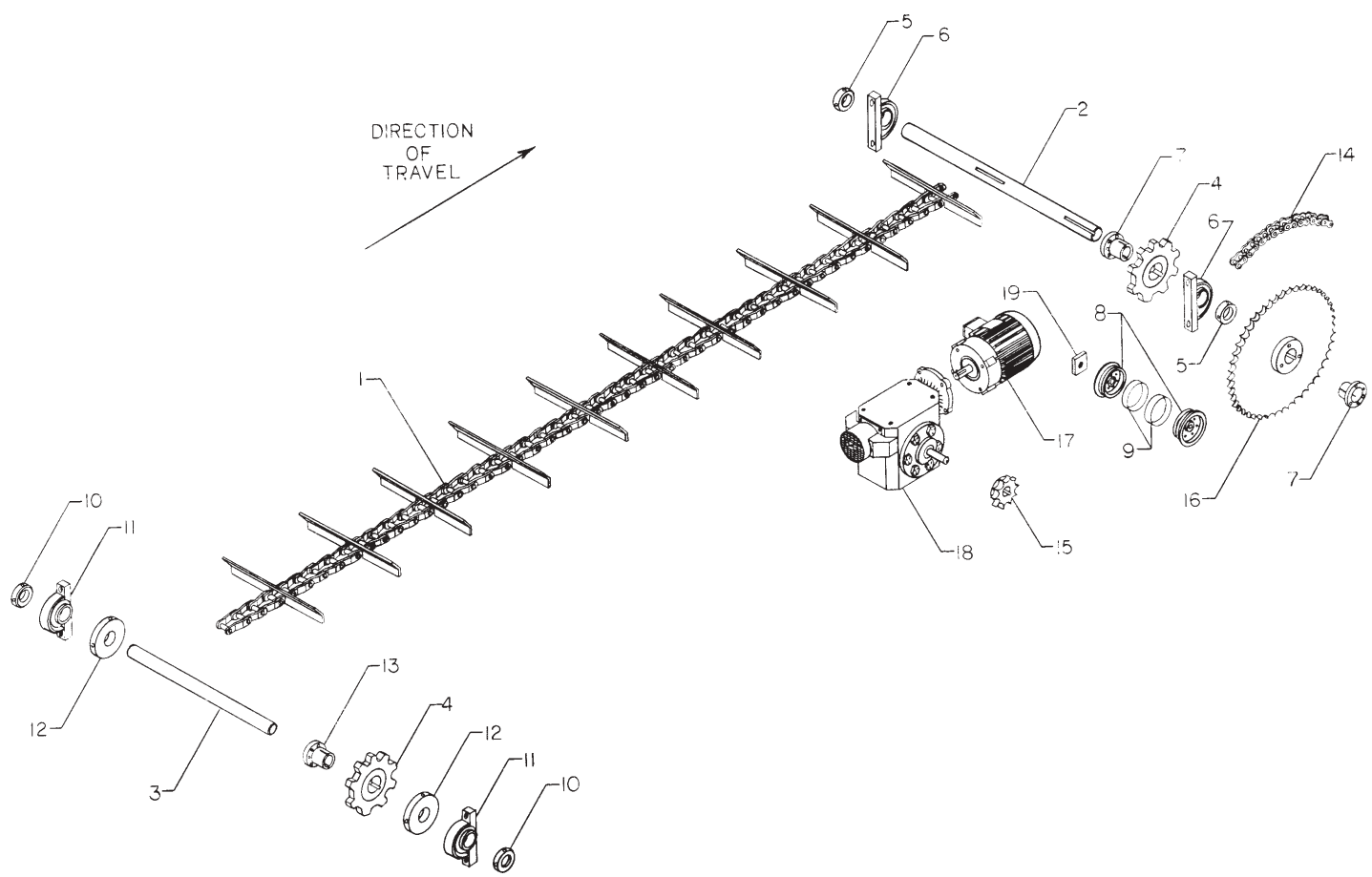
NO.	PART NO.	KEYWORD	DESCRIPTION	NO.	REQ'D
1	90386-10	FRAME	24" CONVEYOR 10' MAIN .....	1	
---	90386-11	FRAME	24" CONVEYOR 11' MAIN .....	1	
---	90386-12	FRAME	24" CONVEYOR 12' MAIN .....	1	
---	90386-13	FRAME	24" CONVEYOR 13' MAIN .....	1	
---	90386-14	FRAME	24" CONVEYOR 14' MAIN .....	1	
---	90386-15	FRAME	24" CONVEYOR 15' MAIN .....	1	
---	90386-16	FRAME	24" CONVEYOR 16' MAIN .....	1	
---	90386-17	FRAME	24" CONVEYOR 17' MAIN .....	1	
---	90386-18	FRAME	24" CONVEYOR 18' MAIN .....	1	
---	90386-19	FRAME	24" CONVEYOR 19' MAIN .....	1	
---	90386-20	FRAME	24" CONVEYOR 20' MAIN .....	1	
---	90386-21	FRAME	24" CONVEYOR 21' MAIN .....	1	
---	90386-22	FRAME	24" CONVEYOR 22' MAIN .....	1	
---	90386-23	FRAME	24" CONVEYOR 23' MAIN .....	1	
---	90386-24	FRAME	24" CONVEYOR 24' MAIN .....	1	
---	90386-25	FRAME	24" CONVEYOR 25' MAIN .....	1	
---	90386-26	FRAME	24" CONVEYOR 26' MAIN .....	1	
---	90386-27	FRAME	24" CONVEYOR 27' MAIN .....	1	
---	90386-28	FRAME	24" CONVEYOR 28' MAIN .....	1	
---	90386-29	FRAME	24" CONVEYOR 29' MAIN .....	1	
---	90386-30	FRAME	24" CONVEYOR 30' MAIN .....	1	
---	90386-31	FRAME	24" CONVEYOR 31' MAIN .....	1	
---	90386-32	FRAME	24" CONVEYOR 32' MAIN .....	1	
---	90386-33	FRAME	24" CONVEYOR 33' MAIN .....	1	
---	90386-34	FRAME	24" CONVEYOR 34' MAIN .....	1	
---	90386-35	FRAME	24" CONVEYOR 35' MAIN .....	1	
---	90386-36	FRAME	24" CONVEYOR 36' MAIN .....	1	
---	90386-37	FRAME	24" CONVEYOR 37' MAIN .....	1	

1. SHIELDS & PANELS SECTION

NO.	PART NO.	KEYWORD	DESCRIPTION	NO.	REQ'D
---	90386-38	FRAME	24" CONVEYOR 38' MAIN .....	1	
---	90386-39	FRAME	24" CONVEYOR 39' MAIN .....	1	
---	90386-40	FRAME	24" CONVEYOR 40' MAIN .....	1	
---	90386-41	FRAME	24" CONVEYOR 41' MAIN .....	1	
---	90386-42	FRAME	24" CONVEYOR 42' MAIN .....	1	
---	90386-43	FRAME	24" CONVEYOR 43' MAIN .....	1	
---	90386-44	FRAME	24" CONVEYOR 44' MAIN .....	1	
---	90386-45	FRAME	24" CONVEYOR 45' MAIN .....	1	
---	90386-46	FRAME	24" CONVEYOR 46' MAIN .....	1	
---	90386-47	FRAME	24" CONVEYOR 47' MAIN .....	1	
---	90386-48	FRAME	24" CONVEYOR 48' MAIN .....	1	
---	90386-49	FRAME	24" CONVEYOR 49' MAIN .....	1	
---	90386-50	FRAME	24" CONVEYOR 50' MAIN .....	1	
2	90383	PANEL	24" CONVEYOR BOTTOM 49-7/8 .....	A/R	
3	90384	PANEL	24" CONVEYOR BOTTOM 41-1/4 .....	OPT	
---	90399	PANEL	24" CONVEYOR BOTTOM 17-1/4 .....	OPT	
---	90400	PANEL	24" CONVEYOR BOTTOM 29-1/4 .....	OPT	
---	90401	PANEL	24" CONVEYOR BOTTOM 53-1/4 .....	OPT	
4	121752	PLATE	SHIELD; UPPER RIGHT .....	OPT	
---	121776	PLATE	SHIELD; UPPER LEFT .....	OPT	
5	121753	PLATE	LOWER 80Q70 .....	OPT	
6	121751	SHIELD	LOWER 80Q70 .....	OPT	
7	121750	SHIELD	CONVEYOR DRIVE .....	1	
8	60437	SPACER	SHIELD .....	2	
9	12994	MOUNT	MOTOR ASSY .....	1	
10	6268	BRACKET	CONVEYOR IDLER .....	1	
11	90382	PLATE	RETURN SLIDE .....	1	
12	60441	ROD	INFEED IDLER ADJUSTER .....	4	

1. SHIELDS & PANELS SECTION

NO.	PART NO.	KEYWORD	DESCRIPTION	NO. REQ'D
13	60442	BRACKET	INFEED ADJUSTING IDLER .....	2
14	90389	PANEL	EXTENSION INFEED(LEFT) .....	1
15	90390	PANEL	EXTENSION INFEED(RIGHT) .....	1
16	90391	PANEL	DISCHARGE(RIGHT) .....	1
17	90392	PANEL	DISCHARGE(LEFT) .....	1
18	90385	PANEL	INFEED END .....	1
19	90452	PANEL	INFEED TOP (24") .....	1
20	90455	BRACE	SHIELD ATTACHING .....	1
21	120030	COVER	TOP ASSEMBLY .....	OPT
<hr/>				
---	7861	KIT	24" HOPPER.....(INCLUDES ITEMS #22-29)	OPT
22	121796	PANEL	DISCHARGE HOPPER; LEFT .....	2
23	121798	PANEL	24" HOPPER END .....	1
24	121799	PANEL	24" HOPPER BOTTOM.....(REPLACES ITEM #11 WHEN HOPPER IS USED)	1
25	121797	PANEL	DISCHARGE HOPPER; RIGHT .....	2
26	121897	PANEL	HOPPER EXTENSION; LONG .....	1
27	121898	PANEL	HOPPER EXTENSION; SHORT .....	2
28	121896	BRACE	HOPPER EXTENSION ANGLE .....	2
29	121895	PANEL	HOPPER COVER .....	1
<hr/>				
30	122248	PANEL	INFEED FLAP MOUNTING .....	1
31	122249	PLATE	FLAP BACKING .....	1
32	4526	FLAP	INFEED .....	1



2. DRIVE SECTION

NO.	PART NO.	KEYWORD	DESCRIPTION	NO. REQ'D
1	4468	CHAIN	FEEDER FLIGHT; 24" CONVEYOR .....	A/R
2	10272	SHAFT	DISCHARGE DRIVE .....	1
3	10271	SHAFT	INFEED IDLER .....	1
4	5687	SPROCKET	FEEDER DRIVE .....	2
5	3087	COLLAR	2-3/16 ECCENTRIC LOCKING .....	2
6	3111	BEARING	2-3/16 PILLOW BLOCK .....	2
---	3086	INSERT	2-3/16 REPLACEMENT BEARING .....	A/R
7	5691	BUSHING	Q1 - 2-3/16 .....	2
8	5218	IDLER	4" BELT, ONE OPEN SIDE, 1" FLANGE .....	2
9	5204	TIRE	CHAIN IDLER .....	2
10	3090	COLLAR	1-15/16 ECCENTRIC LOCKING .....	2
11	3119	BEARING	1-15/16" PILLOW BLOCK .....	2
---	3089	INSERT	1-15/16 REPLACEMENT BEARING .....	A/R
12	5696	SUPPORT	FLIGHT 5-1/20DX1-15/16ID .....	2
13	5690	BUSHING	Q1 - 1-15/16 .....	1
14	4365	CHAIN	NO.80 ROLLER,12/LNKS P/FT .....	A/R
15	5705	SPROCKET	80B12 F 1-3/8 BORE .....	OPT
---	5709	SPROCKET	80B10 BLANK BORED1-3/8 .....	OPT
---	5756	SPROCKET	80B12 F1-5/8 .....	OPT
16	5697	SPROCKET	80Q60 .....	OPT
---	5704	SPROCKET	80Q70 .....	OPT
---	5710	SPROCKET	80Q48 .....	OPT
17	15159	MOTOR	1HP TEFC143T CFACE1750 3P .....	OPT
---	15161	MOTOR	2HP TEFC145T CFACE1750 3P .....	OPT
---	15163	MOTOR	3HP TEFC182T CFACE1750 3P .....	OPT
18	11062	GEARBOX	50:1, 2HP C-FACE REDUCING .....	OPT
---	11063	GEARBOX	30:1, 1HP C-FACE REDUCING .....	OPT
---	11064	GEARBOX	30:1, 2HP C-FACE REDUCING .....	OPT
---	11092	GEARBOX	30:1, 3HP OR 5HP C-FACE REDUCING .....	OPT
---	11036	GEARBOX	20:1, C-FACE REDUCING .....	OPT
19	2020	NUT	IDLER .....	1

NUMERICAL PARTS INDEX

PART NO.	PAGE	PART NO.	PAGE	PART NO.	PAGE
10271	7	90384	4		
10272	7	90385	5		
11036	7	90386-10	3		
11062	7	90386-11	3		
11063	7	90386-12	3		
11064	7	90386-13	3		
11092	7	90386-14	3		
120030	5	90386-15	3		
121750	4	90386-16	3		
121751	4	90386-17	3		
121752	4	90386-18	3		
121753	4	90386-19	3		
121776	4	90386-20	3		
121796	5	90386-21	3		
121797	5	90386-22	3		
121798	5	90386-23	3		
121799	5	90386-24	3		
121895	5	90386-25	3		
121896	5	90386-26	3		
121897	5	90386-27	3		
121898	5	90386-28	3		
122248	5	90386-29	3		
122249	5	90386-30	3		
12994	4	90386-31	3		
15159	7	90386-32	3		
15161	7	90386-33	3		
15163	7	90386-34	3		
2020	7	90386-35	3		
3086	7	90386-36	3		
3087	7	90386-37	3		
3089	7	90386-38	4		
3090	7	90386-39	4		
3111	7	90386-40	4		
3119	7	90386-41	4		
4365	7	90386-42	4		
4468	7	90386-43	4		
4526	5	90386-44	4		
5204	7	90386-45	4		
5218	7	90386-46	4		
5687	7	90386-47	4		
5690	7	90386-48	4		
5691	7	90386-49	4		
5696	7	90386-50	4		
5697	7	90389	5		
5704	7	90390	5		
5705	7	90391	5		
5709	7	90392	5		
5710	7	90399	4		
5756	7	90400	4		
60437	4	90401	4		
60441	4	90452	5		
60442	5	90455	5		
6268	4				
7861	5				
90382	4				
90383	4				