

TABLE OF CONTENTS

1st Edition

Sept. 1, 1985

455 TRANSPORTER

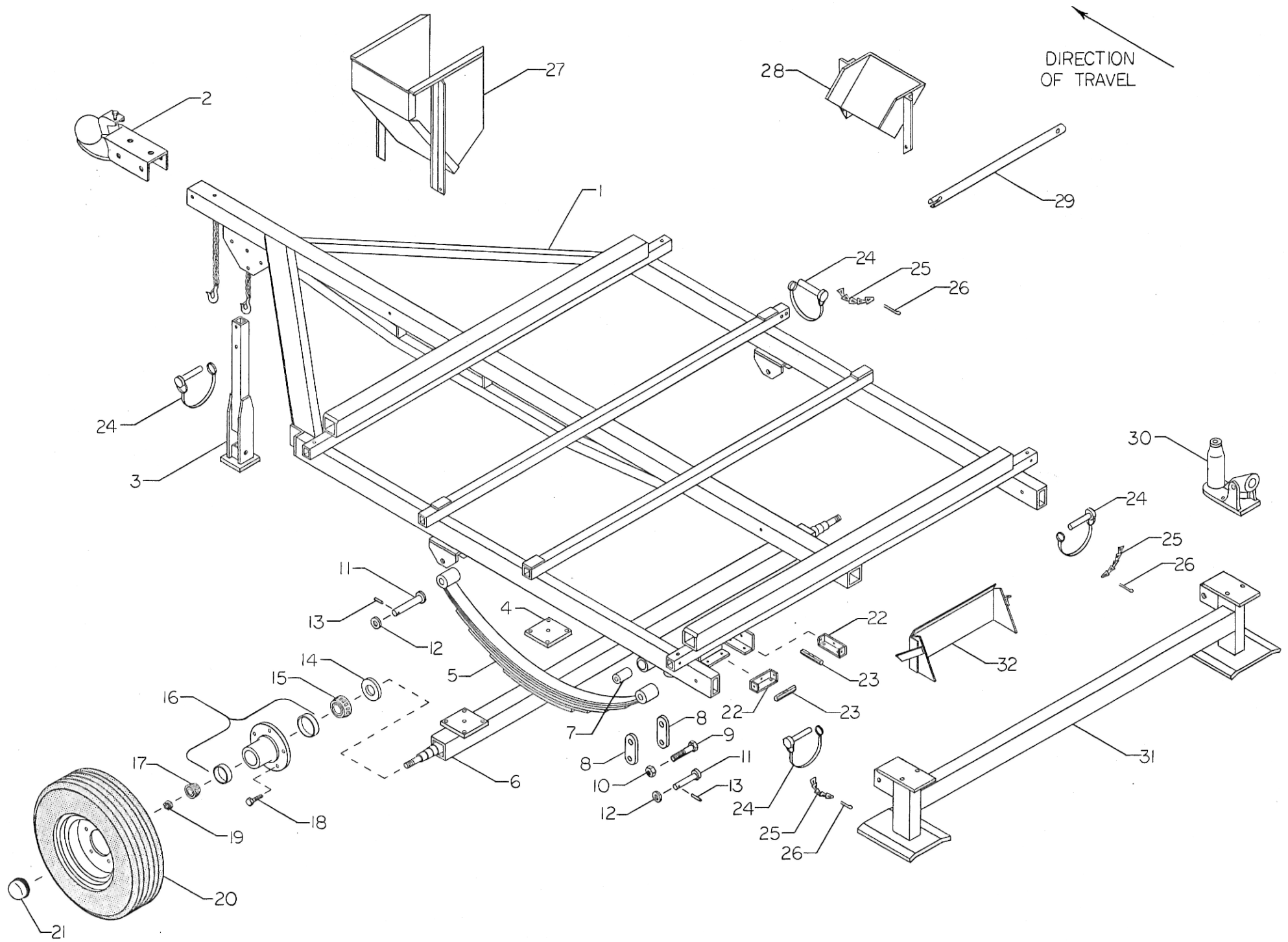
Owners Name _____
Address _____
Model No. _____ * Serial No. _____ * Date Purchased _____



1100 Holland Road Suffolk, Va. 23434 U.S.A. • 804-539-0231

Home Office: TELX 494-6083 Cable HOADEN SUFK
Branch Office

1701 S. Slappey Blvd. Albany, Ga. 31706 • 912-439-2217



1. 455 TRANSPORTER ASSEMBLY

NO.	PART NO.	KEYWORD	DESCRIPTION	NO.	REQ'D
1	9781	FRAME	TRAILER	1	
2	6389	HITCH	TRAILER; 454/455 TRANSPORTER	1	
3	9552	STAND	TRAILER	1	
4	9551	PLATE	AXLE MOUNTING	2	
5	7033	SPRING	LEAF	2	
6	9550	AXLE	TRANSPORTER	1	
7	4424	GROMMET	RUBBER	2	
8	6388	SHACKLE	SPRING	4	
9	G180191	SCREW	1/2-13X3-1/4 USS CAP	2	
10	G120378	NUT	1/2-13 USS	2	
11	2537	PIN	ATTACHING	4	
12	G131016	WASHER	5/8 FLAT	4	
13	2099	PIN	3/16 X 1 EXPANSION	4	
14	8027	SEAL	FOR 1.375 SHAFT	2	
15	8025	CONE	& ROLLER ASSEMBLY, INNER, 1.250 SHAFT ..	2	
16	8024	ASSEMBLY	HUB & CUP	2	
17	8026	CONE	& ROLLER ASSEMBLY, OUTER, .750 SHAFT ...	2	
18	8010	BOLT	LUG	10	
19	8623	NUT	3/4-16 SAE HEX CASTLE	2	
20	8038	ASSEMBLY	TIRE, TUBE, & WHEEL	2	
---	8031	WHEEL	A/R	
---	8036	TIRE	A/R	
---	8037	TUBE	A/R	
21	8028	CAP	HUB	2	
22	6386	MOUNT	LEVEL	2	
---	G102874	SETSCREW	1/4-20X1 SQ. HEAD	4	
---	G120375	NUT	1/4-20 USS	4	
23	6387	LEVEL	TRANSPORTER	2	
24	2050	PIN	5/16 LOCKING	4	
25	4294-5	CHAIN	ATTACHING 5 LINKS	3	
26	2201	PIN	3/16X3/4 COTTER	3	
27	12728	DEFLECTOR	FRONT ASSEMBLY	1	
28	12729	DEFLECTOR	REAR ASSEMBLY	1	
29	6390	HANDLE	JACK	1	
30	6391	JACK	HYDRAULIC	2	
31	6392	STAND	JACK	1	
32	120623	SHIELD	DIRT	OFT	

WARRANTY

We warrant each new machine sold by us to be free from manufacturing defects in normal service for a period of six (6) months commencing with delivery of the machine to the original user.

Our obligation under this Warranty is expressly limited to the replacement or repair at Hobbs Engineering Company, Suffolk, Virginia, or at a point designated by us, of such part or parts as shall appear to us to have been defective.

We shall not be liable for consequential labor costs or transportation charges in connection with the replacement or repair of defective parts.

This Warranty does not apply to a machine upon which repairs or alterations have been made by others except with our written approval.

We make no Warranty with respect to trade accessories. They are subject to the warranties of their manufacturers.

We shall not be liable for consequential damages or contingent liabilities nor for the fitness of any machine for any particular purpose.

We make no other express, implied, or statutory Warranty, nor is anyone authorized to make any in our behalf.

IMPROVEMENTS

Hobbs Engineering Company is constantly striving to improve its machines. Changes in design and improvement will be made whenever the manufacturer believes the efficiency of the machines will be improved thereby, but without incurring any obligations to incorporate such improvements in any machines which have been shipped or are in service.