

T72 X 30VB

~~T72X30S~~

STATIONARY TROMMEL  
SCREEN

*11-4-77*

CAT083

OWNER'S NAME \_\_\_\_\_

DEALER'S NAME \_\_\_\_\_

SERIAL NUMBER \_\_\_\_\_

DATE PURCHASED \_\_\_\_\_

# TABLE OF CONTENTS

T72 X30VB  
~~T72X30S~~

## STATIONARY TROMMEL

SECTION	PAGE
1. Trommel Frame Section.....	3
2. T72x30S Trommel Drum Section.....	5
3. 6' Stand Section.....	7
4. T72x30S Panel Section.....	9
5. Decal Section.....	11
Numerical Parts Index.....	12
Warranty	

**NOTE**

**The terms "Left" and "Right" used in the description of parts are determined by facing the direction of the flow of material through the machine.**

---



---

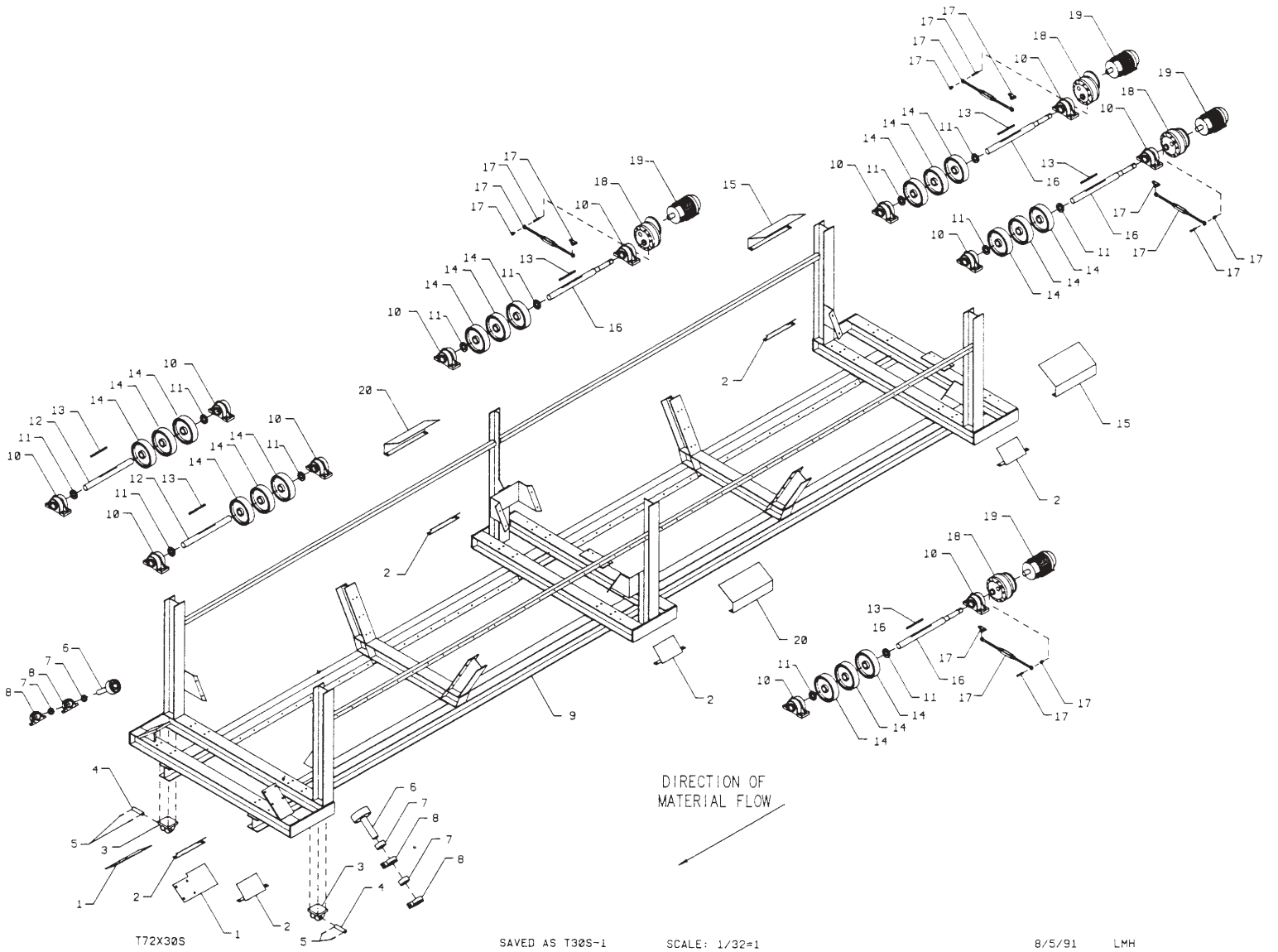
Owners Name \_\_\_\_\_

Address \_\_\_\_\_

Model No. \_\_\_\_\_ Serial No. \_\_\_\_\_ Date Purchased \_\_\_\_\_

1100 Holland Road Suffolk, VA 23434 U.S.A. (804) 539-0231      1701 S. Slappey Blvd./P.O. Box 3687 Albany, GA 31706  
 Telex - 494-6083 / Fax - (804) 934-3264      (912) 439-2217 / Fax (912) 439-9343





T72X30S

SAVED AS T30S-1

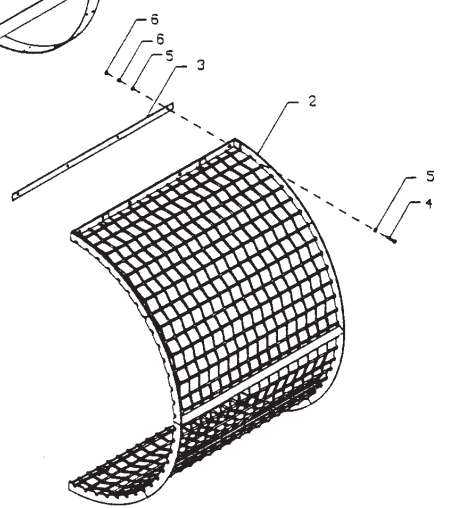
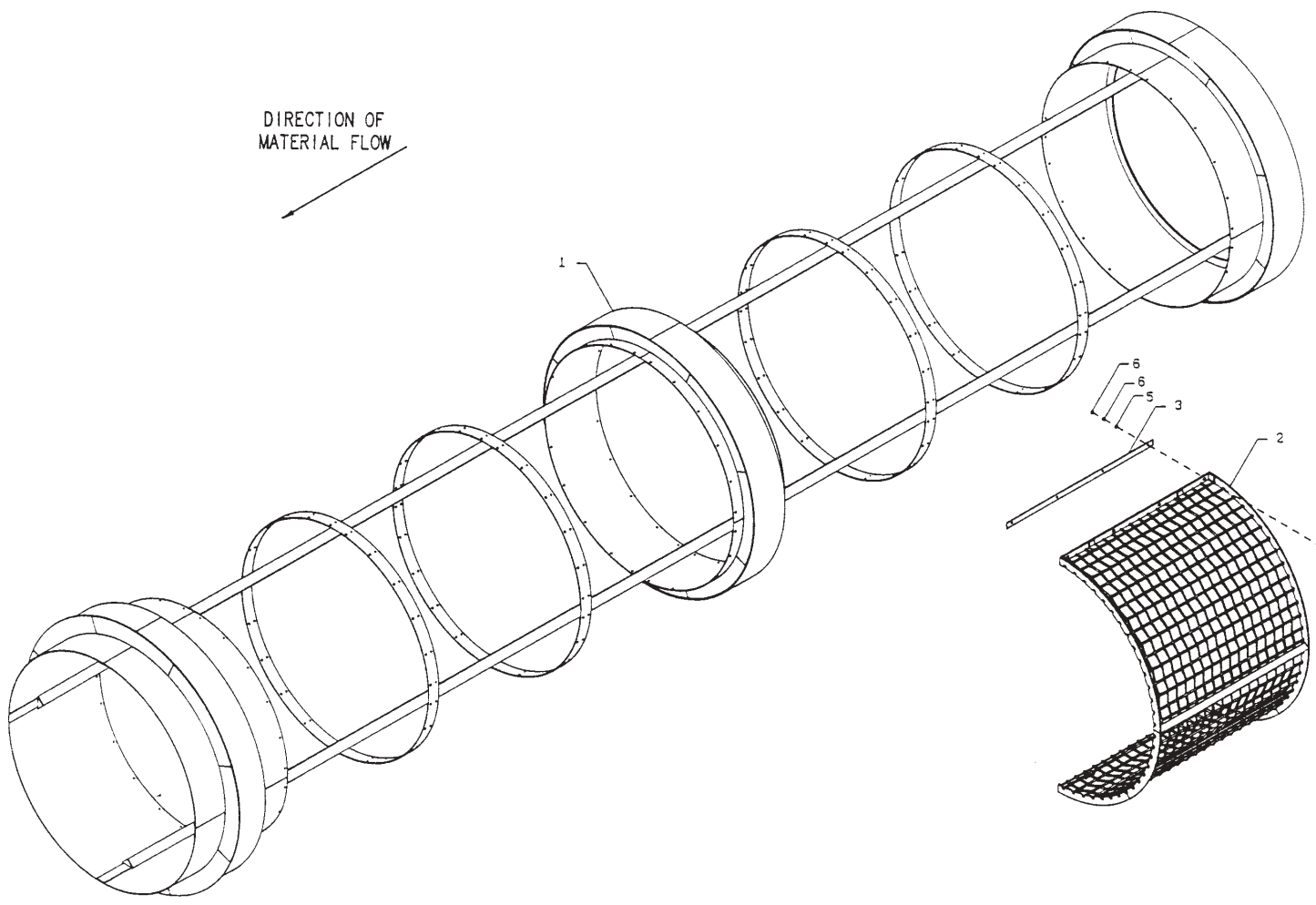
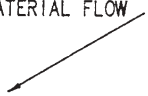
SCALE: 1/32=1

8/5/91 LMH

1. TROMMEL FRAME

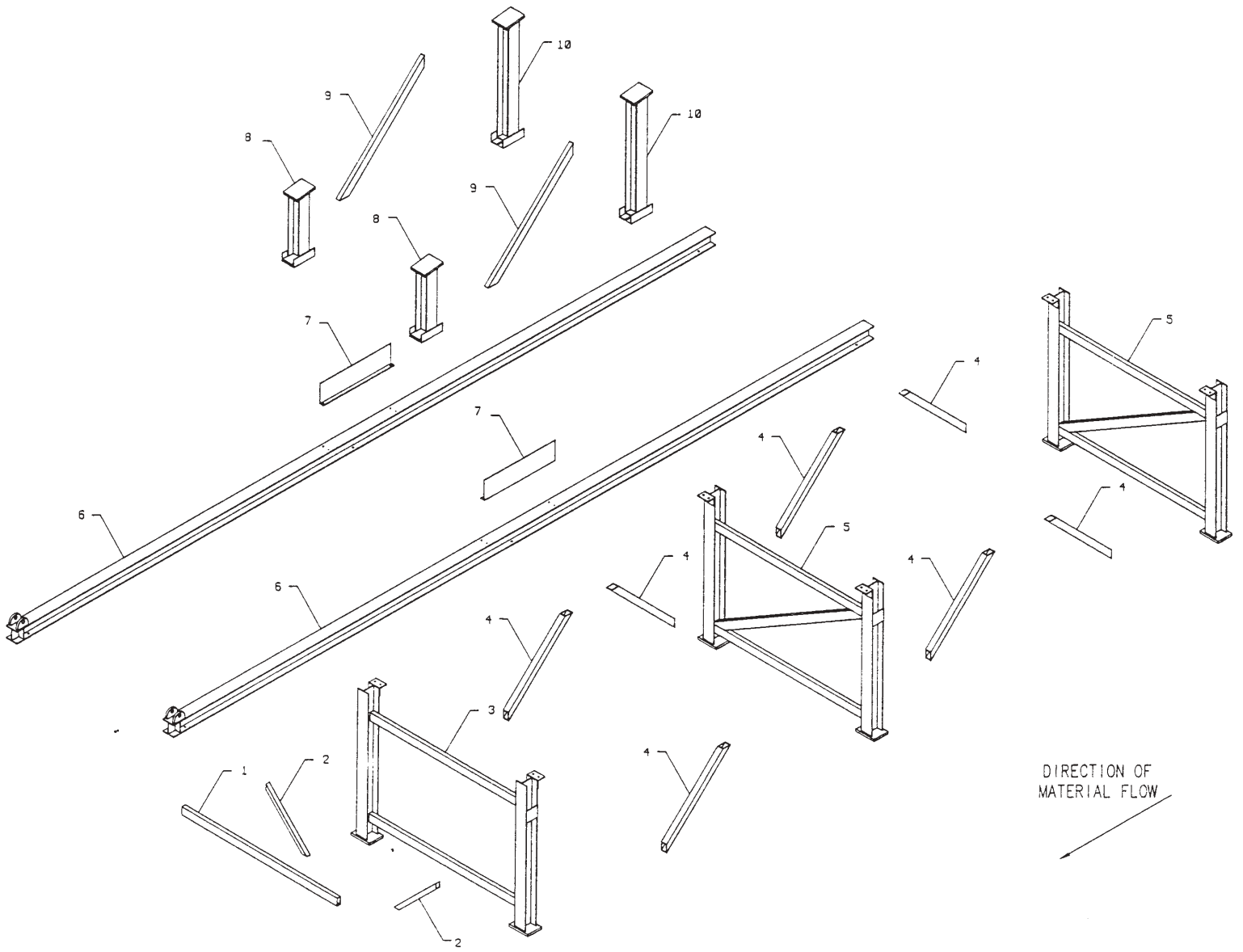
NO.	PART NO.	KEYWORD	DESCRIPTION	NO.	REQ'D
1	122744	SHIELD	REAR ROLLER SHIELD .....	2	
2	122877	SHIELD	DRUM ROLLER .....	6	
3	91279	BRACKET	STATIONARY PIVOT .....	2	
4	20113	PIN	PIVOT .....	2	
5	2244	PIN	ROLL 1/4X2-1/2 .....	4	
6	91236	IDLER	DRUM SUPPORTING .....	2	
7	3090	COLLAR	1-15/16 ECCENTRIC LOCKING .....	4	
8	3119	BEARING	1-15/16 PILLOW BLOCK .....	4	
9	91361	FRAME	TROMMEL; T72X30 .....	1	
10	3151	BEARING	2.7/16 PILLOW BLOCK .....	12	
11	3142	COLLAR	2-7/16 1 PIECE CLAMPING .....	12	
12	10393	SHAFT	ROLLER IDLER .....	2	
13	1630	KEY	WHEEL .....	6	
14	8366	WHEEL	2.7/16 BORE W/KEYWAY .....	18	
15	122751	SHIELD	FRONT DRUM .....	2	
16	10385	SHAFT	DRUM ROLLER DRIVE .....	4	
17	11228	TURNBUCKLE	EYE TO EYE (KIT) .....	4	
			(INCLUDES SEVERAL ITEMS AS SHOWN)		
18	11186	REDUCER	FLANGED SHAFT MOUNT HELICAL .....	4	
19	15165	MOTOR	5H/3P/460/1800/184TC/TEFC .....	4	
20	122827	SHIELD	DRUM; MID-SECTION .....	2	

DIRECTION OF  
MATERIAL FLOW



2. T72X30S TROMMEL DRUM

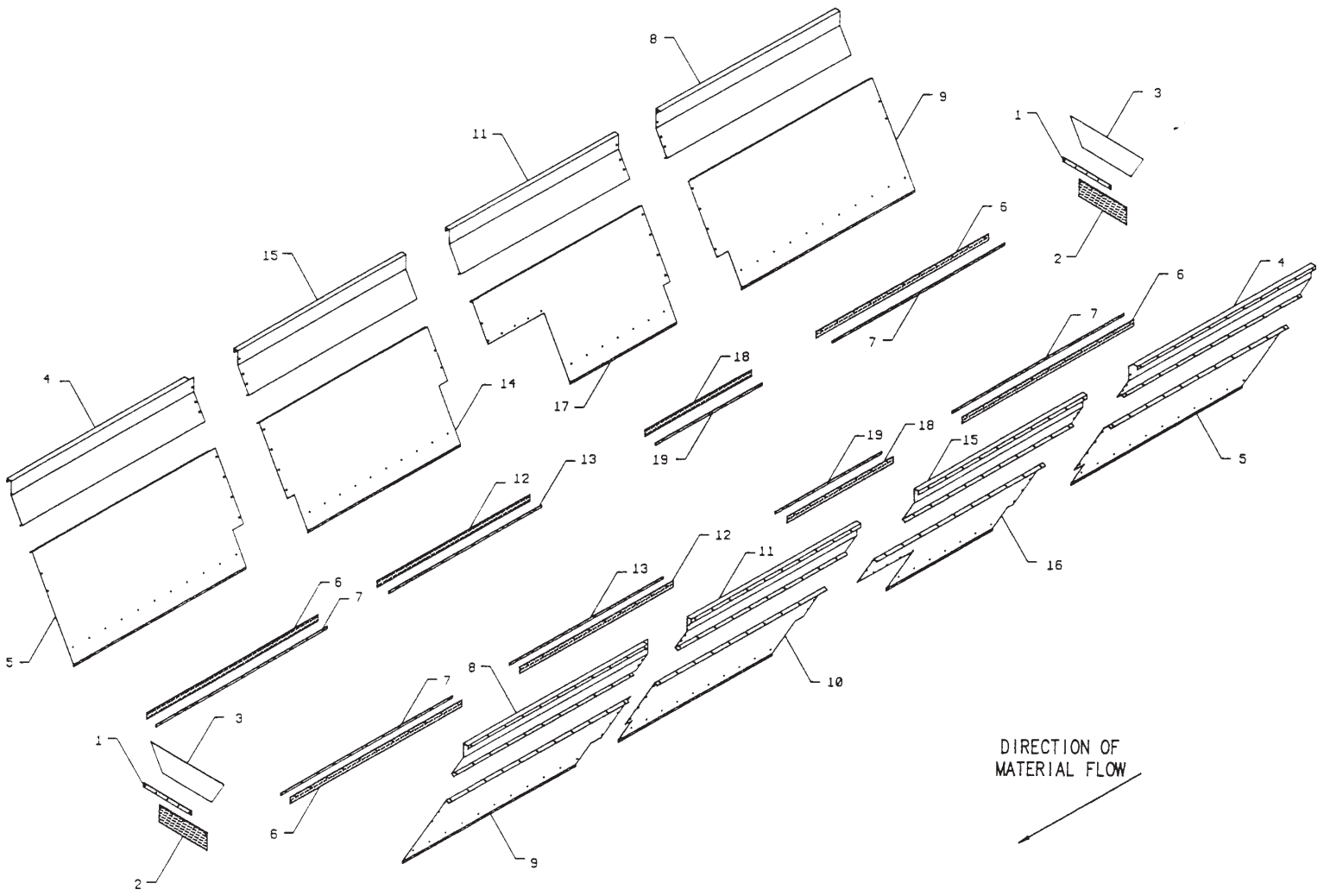
NO.	PART NO.	KEYWORD	DESCRIPTION	NO. REQ'D
1	91354	SCREEN	TROMMEL; T72X30S .....	1
2	91166	SCREEN	3.1/2" OPENING WITH FRAME .....	A/R
3	91648	SPACER	SCREEN .....	A/R
4	G180185	SCREW	1/2-13X2-1/2 USS CAP .....	A/R
5	G120396	WASHER	1/2 FLAT .....	A/R
6	G120378	NUT	1/2-13 USS .....	A/R



3. 6' STAND SECTION

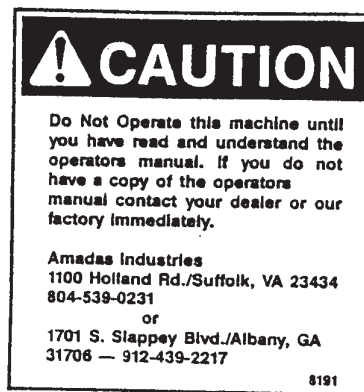
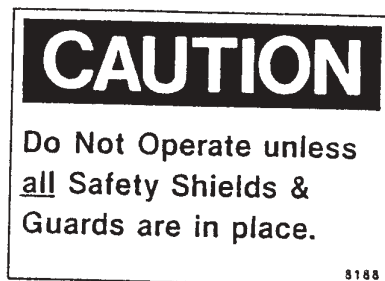
NO.	PART NO.	KEYWORD	DESCRIPTION	NO.	REQ'D
1	60097A	BRACE	STAND .....		A/R
2	91651	BRACE	STAND .....		A/R
3	91368	END	6' STAND .....	1	
4	91649	BRACE	CROSS .....		A/R
5	91366	END	6' STAND .....	2	
6	91359	RAIL	STAND; T72X30 .....	2	
7	122899	MOUNT	T72 DECAL .....	2	
---	8398	DECAL	"AMADAS" - GRAY .....	2	
8	91402	LEG	SHORT EXTENSION .....	2	
9	91650	BRACE	CROSS .....		A/R
10	91403	LEG	LONG EXTENSION .....	2	





4. T72X30S PANEL SECTION

NO.	PART NO.	KEYWORD	DESCRIPTION	NO.	REQ'D
1	91357	STRIP	FLAP RETAINING; REAR .....	2	
2	4573	FLAP	MATERIAL; REAR .....	2	
3	122997	PANEL	BARRIER; REAR .....	2	
4	122735	PANEL	SIDE; UPPER RIGHT REAR/LEFT FRONT .....	2	
5	122733	PANEL	SIDE; LOWER RIGHT REAR/LEFT FRONT .....	2	
6	4597	FLAP	SIDESHIELD MATERIAL; REAR .....	4	
7	91641	STRIP	FLAP RETAINING; REAR .....	4	
8	122736	PANEL	SIDE; UPPER LEFT REAR/RIGHT FRONT .....	2	
9	122734	PANEL	SIDE; LOWER LEFT REAR/RIGHT FRONT .....	2	
10	122740	PANEL	SIDE; LOWER LEFT FRONT .....	1	
11	122738	PANEL	SIDE; UPPER LEFT INNER .....	2	
12	4598	FLAP	SIDESHIELD MATERIAL; FRONT .....	2	
13	91642	STRIP	FLAP RETAINING; FRONT .....	2	
14	122739	PANEL	SIDE; LOWER RIGHT FRONT .....	1	
15	122737	PANEL	SIDE; UPPER RIGHT INNER .....	2	
16	122745	PANEL	SIDE; LOWER LEFT; INNER .....	1	
17	122746	PANEL	SIDE; LOWER RIGHT; INNER .....	1	
18	4599	FLAP	SIDESHIELD MATERIAL; INNER FRONT .....	2	
19	91643	STRIP	FLAP RETAINING; INNER FRONT .....	2	



5. DECAL SECTION

NO.	PART NO.	KEYWORD	DESCRIPTION	NO.	REQ'D
1	8180	DECAL	DANGER: REMOTE OPERATION .....	2	
2	8188	DECAL	CAUTION: SHIELDS .....	2	
3	8191	DECAL	WARNING: READ OP. MANUAL .....	1	
4	8193	DECAL	CAUTION: PINCH POINT .....	6	

REFER TO OPERATOR'S MANUAL FOR LOCATION  
 OF DECALS & ADDITIONAL SAFETY  
 INFORMATION

NUMERICAL PARTS INDEX

PART NO.	PAGE	PART NO.	PAGE	PART NO.	PAGE
G120378	5	91648	5		
G120396	5	91649	7		
G180185	5	91650	7		
10385	3	91651	7		
10393	3				
11186	3				
11228	3				
122733	9				
122734	9				
122735	9				
122736	9				
122737	9				
122738	9				
122739	9				
122740	9				
122744	3				
122745	9				
122746	9				
122751	3				
122827	3				
122877	3				
122899	7				
122997	9				
15165	3				
1630	3				
20113	3				
2244	3				
3090	3				
3119	3				
3142	3				
3151	3				
4573	9				
4597	9				
4598	9				
4599	9				
60097A	7				
8180	1				
8188	2				
8191	3				
8193	4				
8366	3				
8398	7				
91166	5				
91236	3				
91279	3				
91354	5				
91357	9				
91359	7				
91361	3				
91366	7				
91368	7				
91402	7				
91403	7				
91641	9				
91642	9				
91643	9				