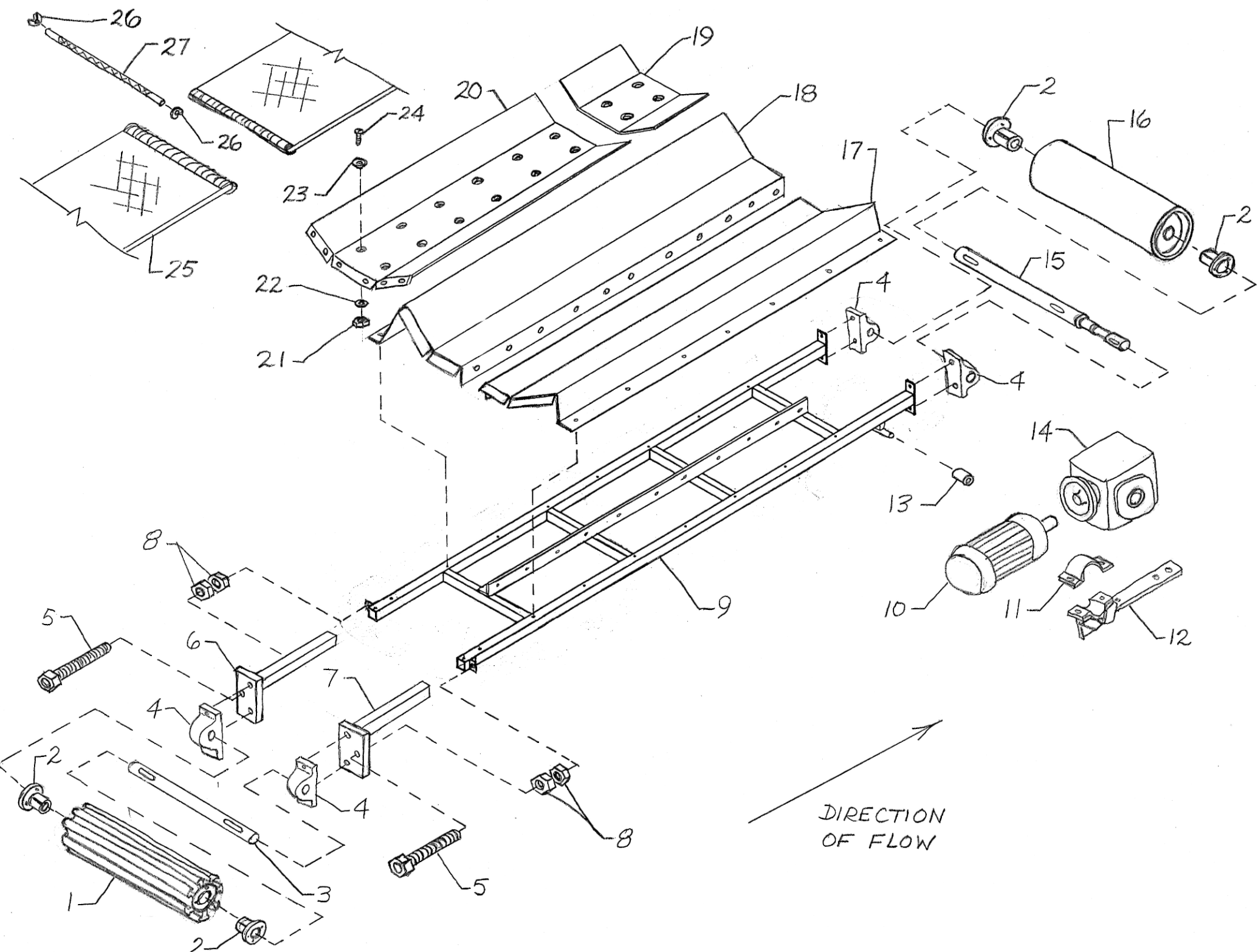


PARTS CATALOG
FOR THE 255-24X15
BELT CONVEYOR



255-24X15 BELT CONVEYOR

NO.	PART NO.	KEYWORD	DESCRIPTION	NO. REQ'D
1	5809	PULLEY	12" DIA. X 26" WING	1
2	2849	BUSHING	XTB25 X 2-3/16	4
3	10386	SHAFT	TAIL PULLEY	1
4	3111	BEARING	2-3/16 PILLOW BLOCK	4
5	60802	ROD	ADJUSTING	2
6	91383	MOUNT	IDLER BEARING; LEFT	1
7	91387	MOUNT	IDLER BEARING; RIGHT	1
8	G220088	NUT	1-8 USS	4
9	91247	FRAME	24" TROUGH CONVEYOR	1
10	15163	MOTOR	3H/3P/460/1800/182TC/TEFC	1
11	6677	CLAMP	LARGE GROMMET	1
12	60494	STABILIZER	GEARBOX	1
13	4283	GROMMET	RUBBER	1
14	11216	GEARBOX	30:1; FLNGD SHFT MNT; WORM	1
15	10399	SHAFT	HEAD DRIVE PULLEY	1
16	5808	PULLEY	12" DIA. X 26" DRUM	1
17	122598	PANEL	TROUGH; RIGHT	1
18	122597	PANEL	TROUGH; LEFT	1
19	13445	SLIDE	TROUGH CONVEYOR; SHORT	1
20	13444	SLIDE	TROUGH CONVEYOR; LONG	1
21	G120376	NUT	5/16-18 USS	22
22	G120214	LOCKWASHER	5/16	22
23	1573	WASHER	WELD	22
24	G133837	SCREW	5/16-18X1 FLAT HEAD MACH	22
25	S4578	ASSEMBLY	24" BELT W/LACING; ^{32.5} 36.5 FT	1
26	4496	RETAINER	FLEXCO R5 LACING PIN	2
27	4490	PIN	LACING, FLEXCO R5-24	1