

Trom 91002

T 72 x 20 TX

~~T 72 x 20 P~~

PORTABLE TROMMEL SCREEN

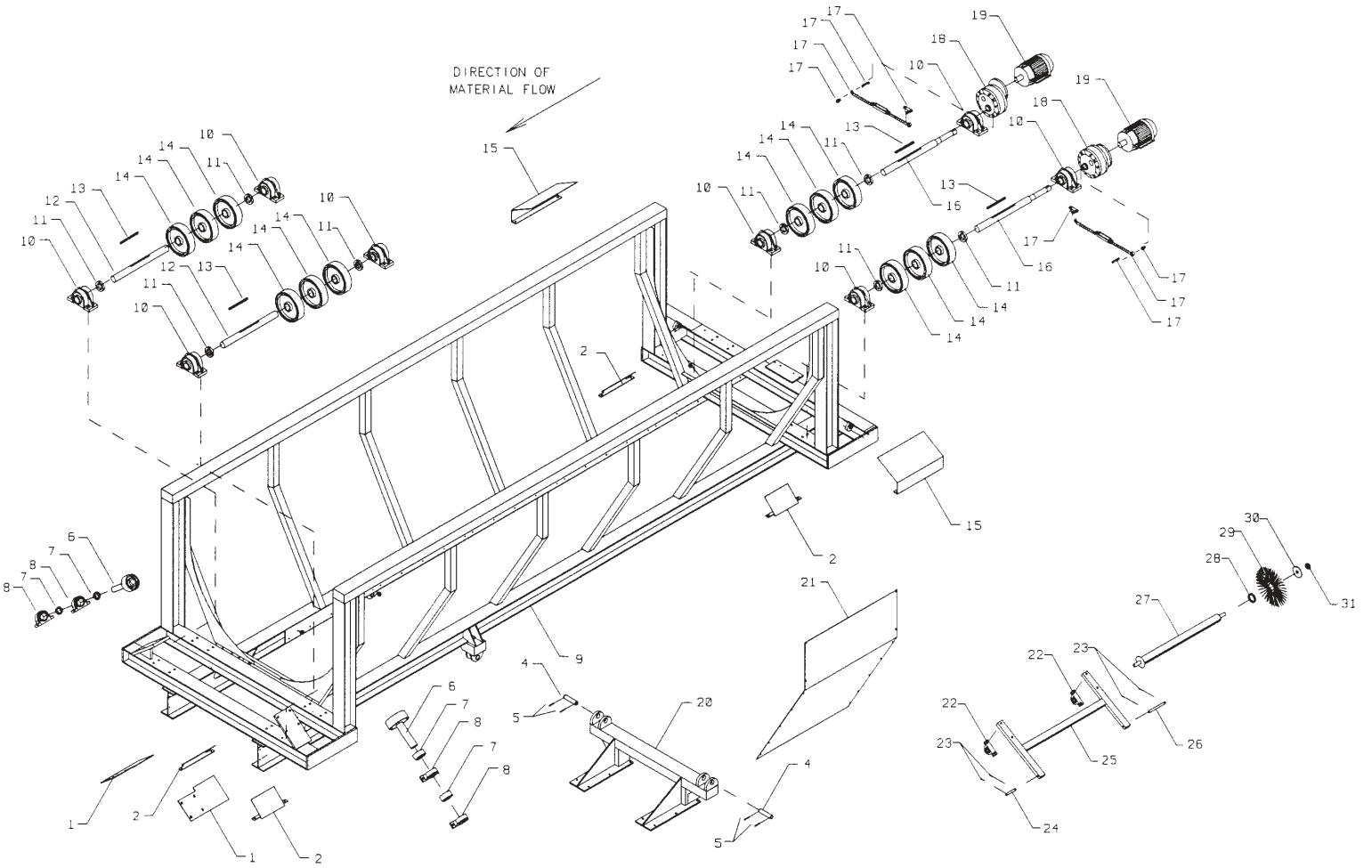
1ST (SKETCH) EDITION - PERTINANT
ONLY TO 1ST 1991 PORTABLE TROMMEL
SENT TO WESTERN WASTE, INC./NELSON
SERVICES; CONROE, TEXAS. CAT091

OWNER'S NAME _____

DEALER'S NAME _____

SERIAL NUMBER _____

DATE PURCHASED _____



SAVED AS T20P-1

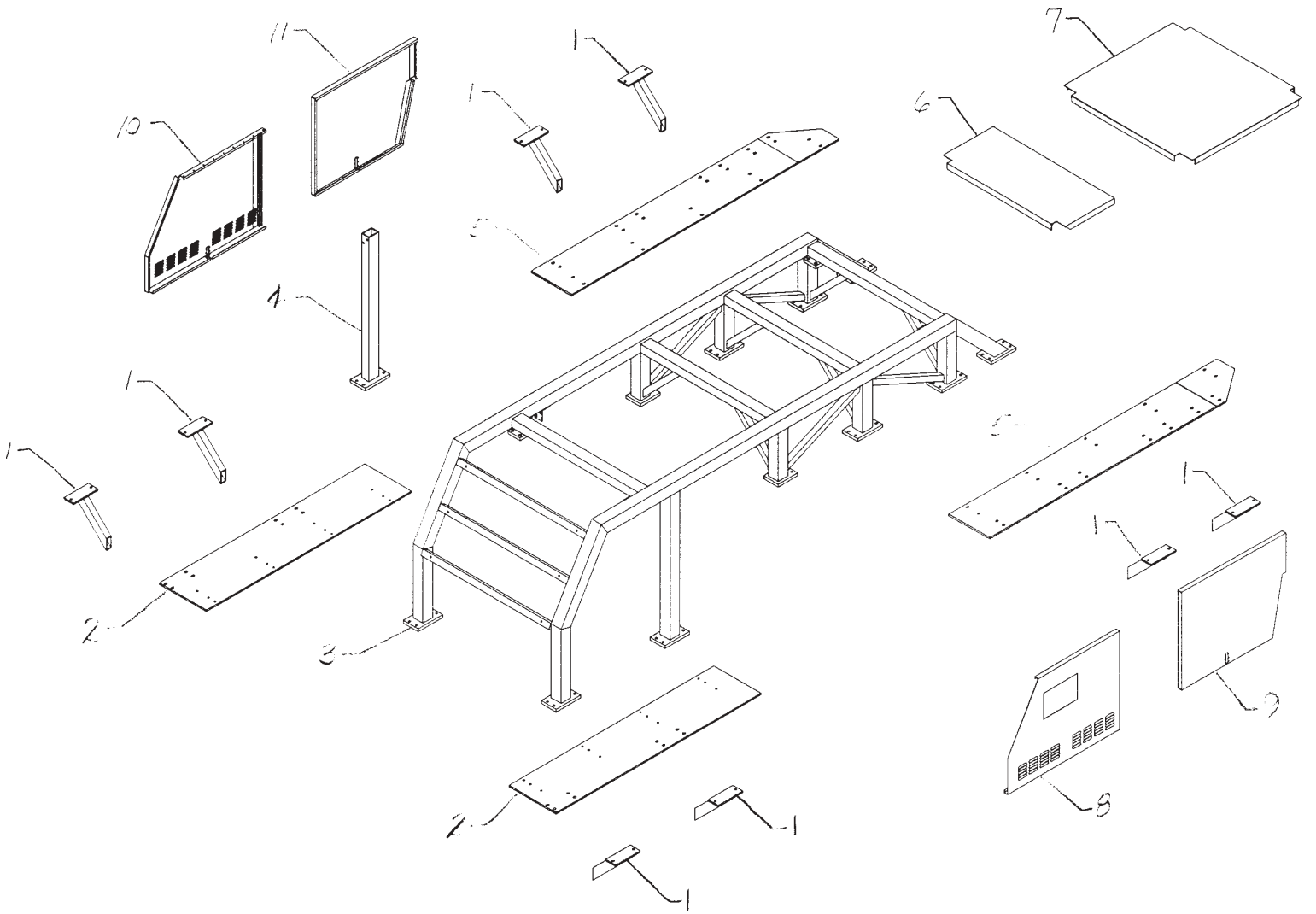
T72X20P

SCALE: 1/32=1

LMH 12/10/91

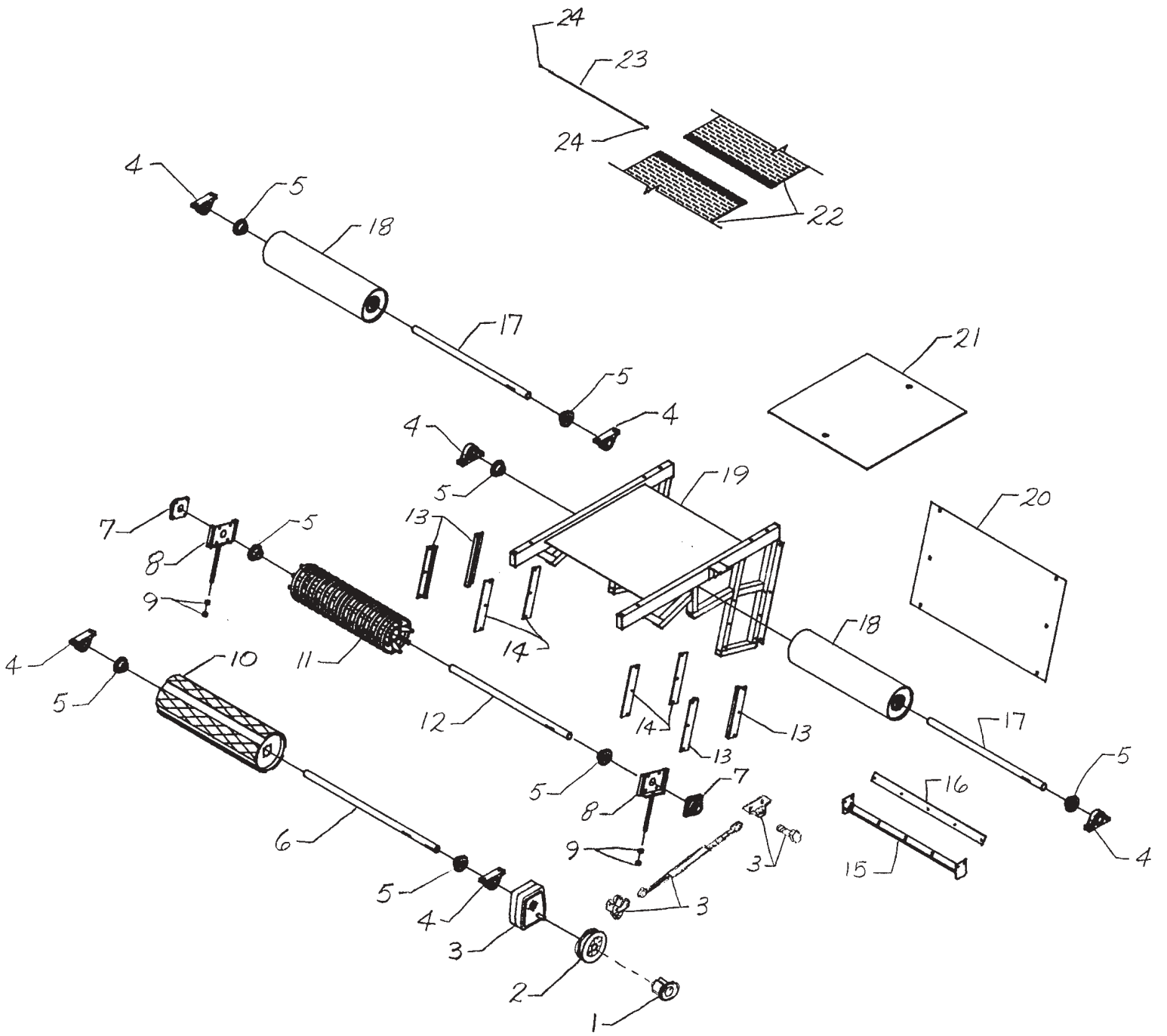
1. FRAME SECTION

NO.	PART NO.	KEYWORD	DESCRIPTION	NO. REQ'D
1	122744	SHIELD	REAR ROLLER SHIELD	2
2	122877	SHIELD	DRUM ROLLER	4
4	20113	PIN	PIVOT	2
5	2244	PIN	ROLL 1/4X2-1/2	4
6	91236	IDLER	DRUM SUPPORTING	2
7	3090	COLLAR	1-15/16 ECCENTRIC LOCKING	4
8	3119	BEARING	1-15/16 PILLOW BLOCK	4
9	91654	FRAME	T72X20 PORTABLE ONLY	1
10	3151	BEARING	2.7/16 PILLOW BLOCK	8
11	3142	COLLAR	2-7/16 1 PIECE CLAMPING	8
12	10393	SHAFT	ROLLER IDLER	2
13	1630	KEY	WHEEL	4
14	8366	WHEEL	2.7/16 BORE W/KEYWAY	12
15	122751	SHIELD	DRUM; FRONT	2
16	10385	SHAFT	DRUM ROLLER DRIVE	2
17	11228	TURNBUCKLE	X239-76K REACTION (KIT)	2
			(INCLUDES SEVERAL ITEMS AS SHOWN)	
18	11186	REDUCER	FLANGED SHAFT MOUNT; HELICAL	2
19	15165	MOTOR	5H/3P/460/1800/184TC/TEFC	2
20	91673	MOUNT	PIVOT LUG; LOWER	1
21	123022	PANEL	TROMMEL FRAME	10
--	7329	KIT	BRUSH; OUTER	A/R
--	7331	KIT	BRUSH; INNER	A/R
			(ABOVE KITS INCLUDE ITEMS #22 THRU #31)	
22	3002	BEARING	1-3/16 RAK PILLOW BLOCK	2
23	2200	PIN	COTTER 3/16X1-1/4	4
24	10391	ROD	BRUSH ARM MOUNT.....7329	1
25	91242	ARM	BRUSH	1
26	10392	ROD	BRUSH ARM MOUNT.....7329	1
--	10392	ROD	BRUSH ARM MOUNT.....7331	2
27	5435	ROLLER	BRUSH	1
28	2843	SPACER	CLEANING BRUSH	36
29	4497	BRUSH	2-7/8X16 WAFER WHEEL	35
30	122768	CAP	BRUSH ROLLER	1
31	3167	COLLAR	1.3/16 DIA. 1-PIECE CLAMP	1



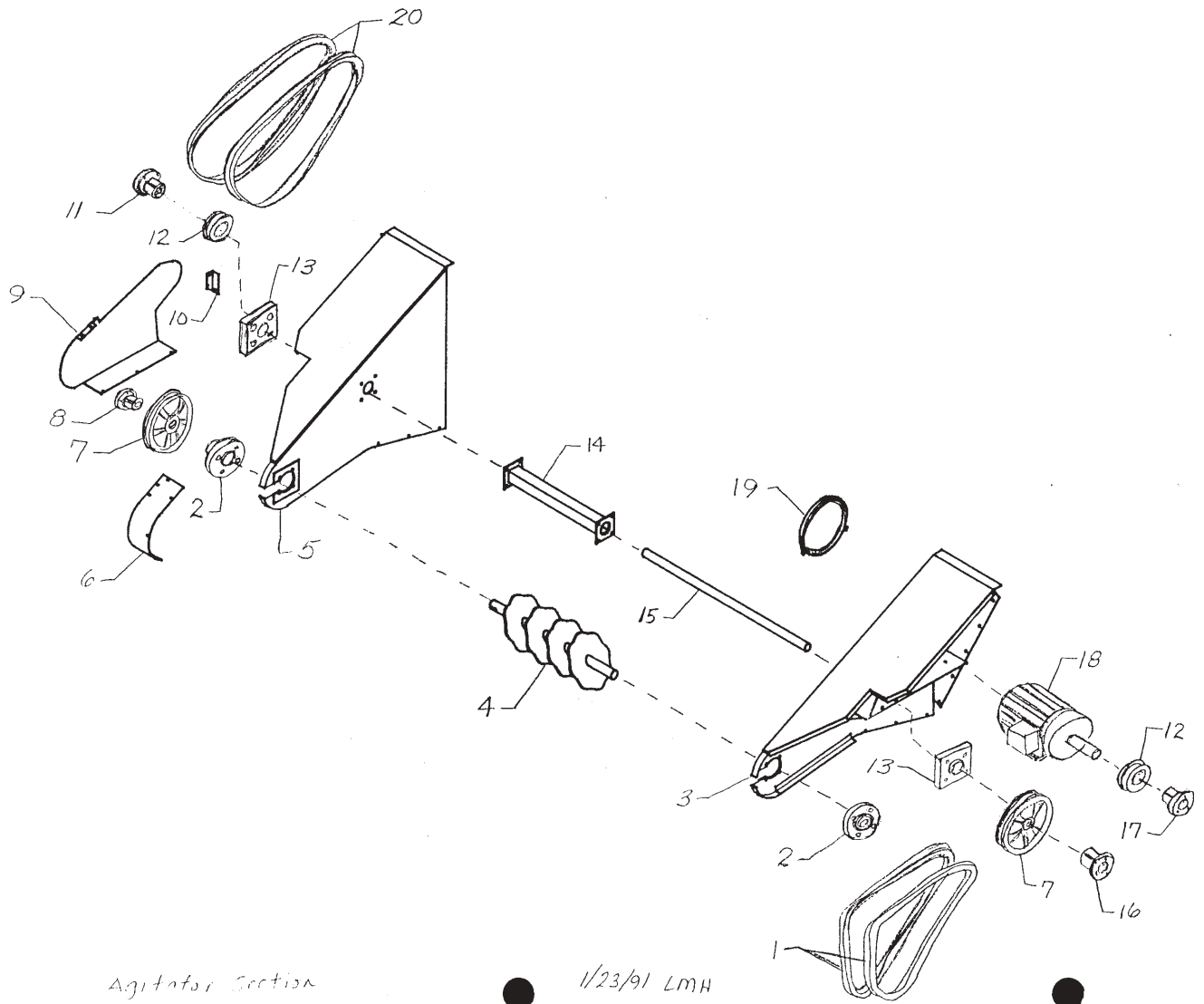
2. HOPPER MOUNT AND GENERATOR COVER SECTION

NO.	PART NO.	KEYWORD	DESCRIPTION	NO. REQ'D
1	91712	BRACE	HOPPER MOUNTING PLATE	8
2	91709	PLATE	GENERATOR SET MOUNTING	2
3	91700	FRAME	HOPPER MOUNTING	1
4	91708	LEG	REMOVABLE; HOPPER MOUNT	1
5	91746	MOUNT	FRONT HOPPER	2
6	123080	COVER	REAR GENERATOR SET	1
7	123079	COVER	GENSET MID-SECTION	1
8	123155	SHIELD	LEFT GENERATOR SET CONTROL PANEL	1
9	123156	SHIELD	FRONT LEFT GENERATOR SET	1
10	123157	SHIELD	RIGHT REAR GENERATOR SET	1
11	123158	SHIELD	FRONT LEFT GENERATOR SET	1



3. INFEEED CONVEYOR (KIT 7367) SECTION

NO.	PART NO.	KEYWORD	DESCRIPTION	NO. REQ'D
1	5443	BUSHING	QD-SK 15/16	1
2	5009	SHEAVE	2B9.4-PD QD-SK	3
3	11241	GEARBOX	5:1 WITH TIE-ROD	1
			(INCLUDES SEVERAL ITEMS AS SHOWN)	
4	3119	BEARING	1-15/16 PILLOW BLOCK	6
--	3090	COLLAR	1-15/16 ECCENTRIC LOCKING	A/R
5	5943	BUSHING	XTB25 - 1.15/16	8
6	10446	SHAFT	DRIVE	1
7	3188	BEARING	1.15/16 4-HOLE FLANGE	2
--	3090	COLLAR	1-15/16 ECCENTRIC LOCKING	A/R
8	91632	MOUNT	TENSIONER BEARING	2
9	G220086	NUT	3/4-10 USS	4
10	5442	PULLEY	12" DRUM WITH HOLZ LAGGING	1
11	5441	PULLEY	SPIRAL WING	1
12	10449	SHAFT	INFEEED CONVEYOR	1
13	91631	SUPPORT	TENSIONER	4
14	91633	FLAT	TENSIONER SUPPORT	4
15	91772	SCRAPER	BELT	1
16	13536	BLADE	BELT SCRAPER	1
17	10445	SHAFT	IDLER	2
18	5944	PULLEY	10" DIA. X 38" FACE DRUM	2
19	91630	FRAME	INFEEED CONVEYOR	1
20	122999	PANEL	INFEEED CONVEYOR	1
21	13529	SLIDE	INFEEED CONVEYOR POLYETHYLENE	1
22	S4616	ASSEMBLY	36" WIDE X 14' LONG WITH LACING	1
--	4616	BELT	36" X 14'	1
--	4563	LACING	R5-36 IN	1
--	4495	RIVET	FLEXCO R5 LACING #SRA	200
23	4565	PIN	LACING, FLEXCO R5-36	1
24	4496	RETAINER	FLEXCO R5 LACING PIN	2



(7367-2A)
7367-2

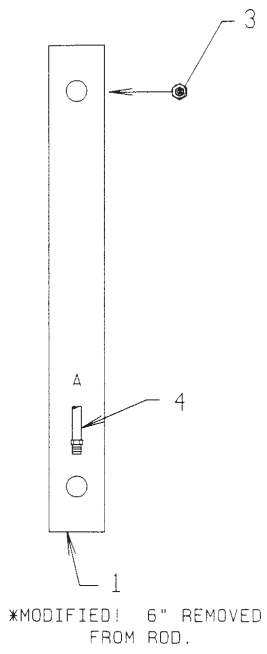
Agitator Section

1/23/91 LMH

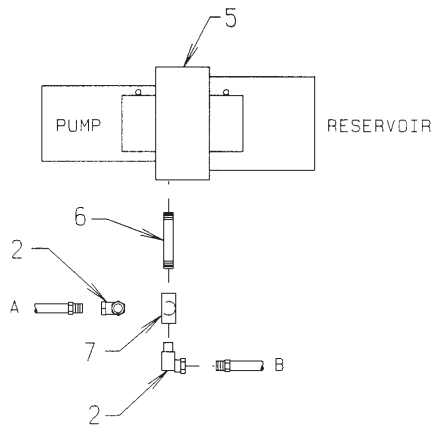
4. INFEEED CONVEYOR AGITATOR SECTION

NO.	PART NO.	KEYWORD	DESCRIPTION	NO. REQ'D
1	B96	BELT	DRIVE	2
2	3085	BEARING	2-3/16 4-HOLE FLANGE	2
3	91773	FRAME	AGITATOR; LEFT	1
4	10452	AGITATOR	PORTABLE TROMMEL INFEEED	1
5	91774	FRAME	AGITATOR; RIGHT	1
6	123142	SHIELD	AGITATOR DRIVE	1
7	5009	SHEAVE	2B9.4-PD QD-SK	2
8	5444	BUSHING	SK 2-3/16	1
9	123141	SHIELD	AGITATOR DRIVE	1
10	91771	MOUNT	AGITATOR SHIELD	1
11	5446	BUSHING	SDS 1-15/16	1
12	5445	SHEAVE	2B 5.0 PD SDS	2
13	3188	BEARING	1.15/16 4-HOLE FLANGE	2
14	91725	SUPPORT	INFEEED CHUTE	1
15	10467	SHAFT	AGITATOR DRIVE	1
16	5079	BUSHING	QD-SK 1-15/16	1
17	5221	BUSHING	QD-SDS 1-3/8	1
18	15823	MOTOR	7.5H/3P/460/1750/213TF	1
19	91766	SHIELD	INFEEED CONVEYOR MOTOR	1
20	B78	BELT	DRIVE	2

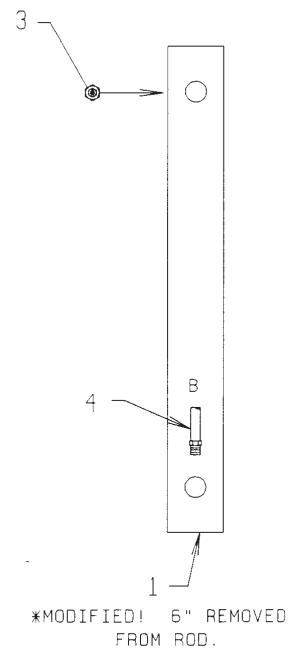
HYDSCH-1



LEFT



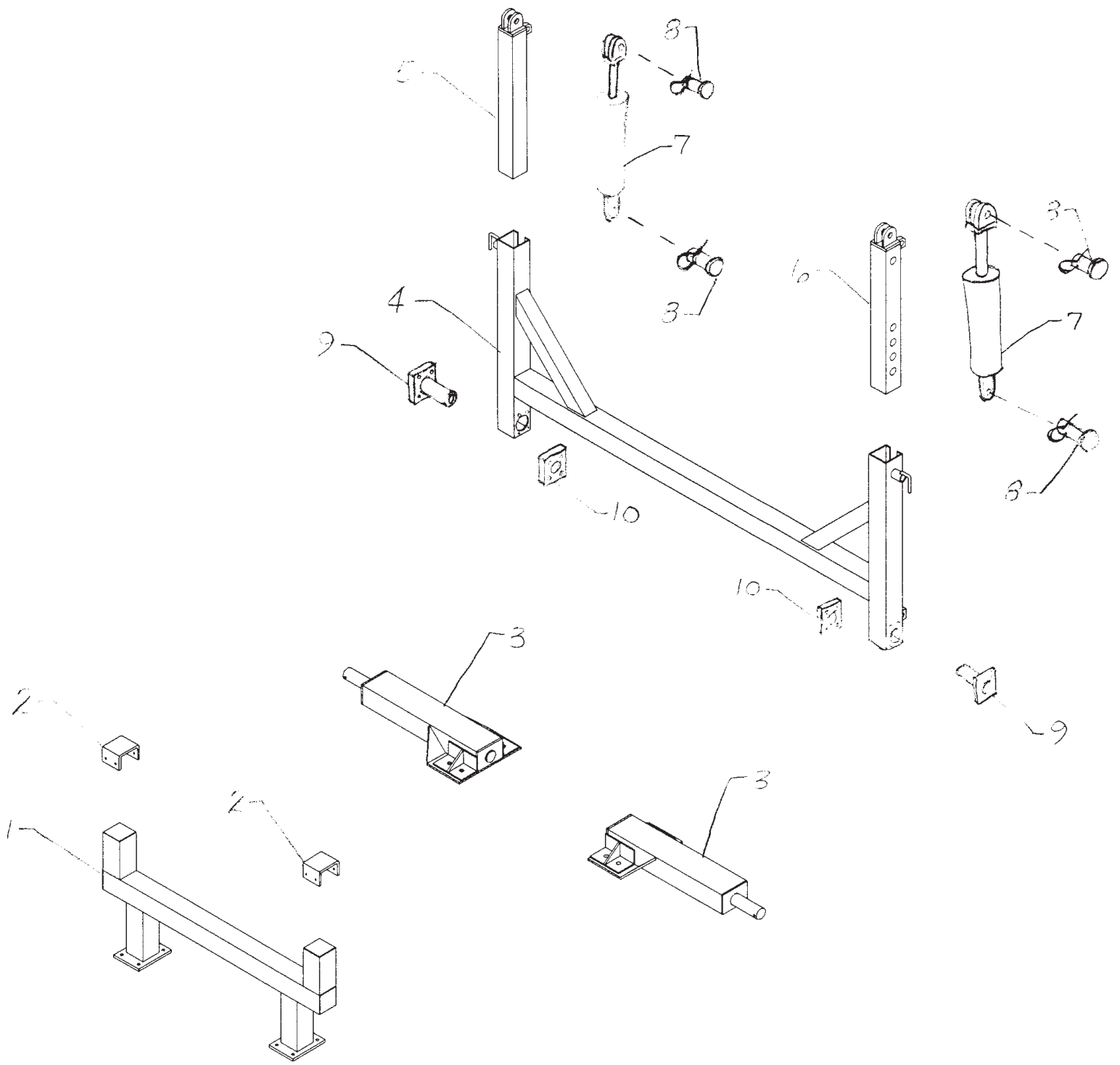
3/16=1
 1/28/92
 LMH
 (DES)



RIGHT

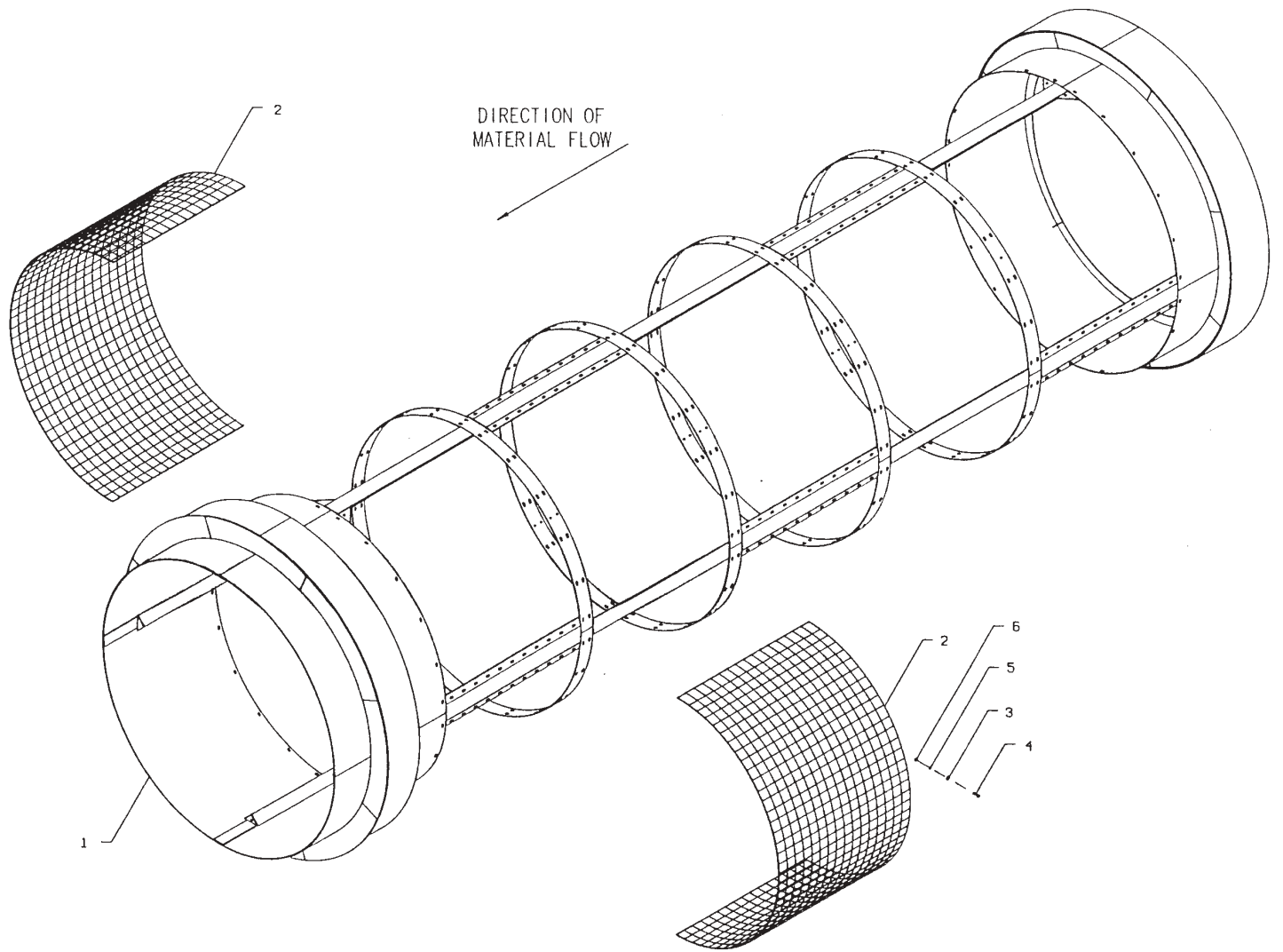
5. DRUM LIFT HYDRAULIC SCHEMATIC

NO.	PART NO.	KEYWORD	DESCRIPTION	NO. REQ'D
1	14000	CYLINDER	*MODIFIED - 6" REMOVED FROM ROD.	2
2	2181	SWIVEL	1/4 X 90 DEGREE	2
3	1044	VALVE	1/4 CONTROL	2
4	14893	HOSE	1/4 X 62 HYD. 2750 PSI	2
5	14591	POWER-PAK	HYDRAULIC; 1.35 GPM; 2030 PSIMAX	1
6	2255	NIPPLE	1/4 X 3 LONG BLACK IRON	1
7	20280	TEE	1/4 BLACK IRON	1



6. DRUM LIFT AND REST SECTION

NO.	PART NO.	KEYWORD	DESCRIPTION	NO. REQ'D
1	91715	FRAME	TROMMEL REST	1
2	4609	CAP	RUBBER;TROMMEL REST	2
3	91716	FRAME	LIFTING JACK PIVOT	2
4	91722	FRAME	LIFTING JACK	1
5	91721	LEG	INNER RIGHT JACK	1
6	91759	LEG	INNER LEFT JACK	1
7	14000	CYLINDER	*MODIFIED - 6" REMOVED FROM ROD	2
8	2039	PIN	CYLINDER ATTACHING	4
9	91720	PIPE	JACK PIVOT	2
10	91779	FLANGE	PIPE ATTACHING	2



7. DRUM SECTION

NO.	PART NO.	KEYWORD	DESCRIPTION	NO. REQ'D
1	91496	DRUM	TROMMEL; T72X20	1
2	13464	SCREEN	3/8" OPENING; 37.9/16 INSIDE RADIUS	A/R
--	13461	SCREEN	7/16" OPENING; 37.9/16 INSIDE RADIUS ...	A/R
--	13462	SCREEN	1/2" OPENING; 37.9/16 INSIDE RADIUS	A/R
--	13459	SCREEN	3/4" OPENING; 37.9/16 INSIDE RADIUS	A/R
--	13463	SCREEN	1" OPENING; 37.9/16 INSIDE RADIUS	A/R
--	13458	SCREEN	2" OPENING; 37.9/16 INSIDE RADIUS	A/R
--	13475	SCREEN	2" OPENING; 37.9/16 IR; (120" X 48") ...	A/R
3	122711	CLAMP	SCREEN	460
4	G126402	BOLT	3/8-16X1-1/4 CARRIAGE	460
5	G120382	LOCKWASHER	3/8	460
6	G120377	NUT	3/8-16 USS	460