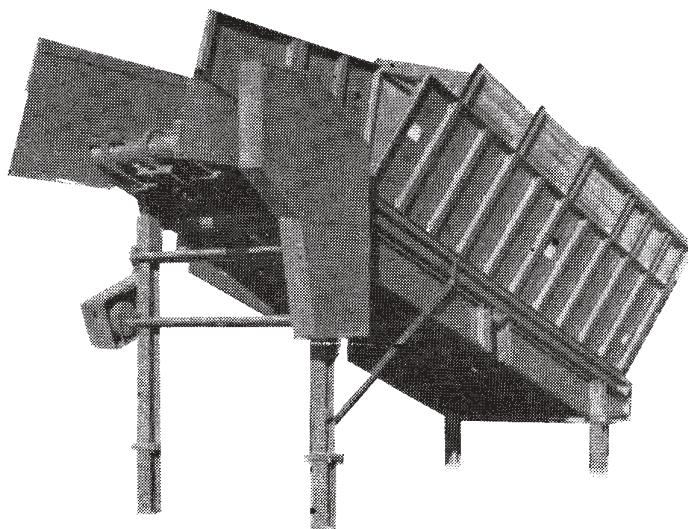


858 Heavy Duty Bulk Feeder

2nd Edition

CAT092



Owner's Name _____

Dealer's Name _____

Serial Number _____

Date Purchased _____

© 1992

TABLE OF CONTENTS

CAT092
2nd Edition
March 15, 1992

858 HEAVY DUTY BULK FEEDER

SECTION	PAGE
1. Left Side.....	3
2. Right Side.....	5
3. Drive Assembly.....	7
4. Optional Polyethylene Slides.....	9
5. Optional #7237 Agitator Kit Frame & Drive.....	11
6. Optional #7237 Agitator Kit Hydraulic Assembly.....	13
7. Decals.....	15
Numerical Parts Index.....	16
Warranty	

NOTES

The terms "Left" and "Right" used in the description of parts are determined by facing the direction of flow of material through the machine.

"A/R" found in the "No. Req'd" column denotes "As Required".

"OPT" found in the "No. Req'd" column denotes "Optional".

Owners Name _____

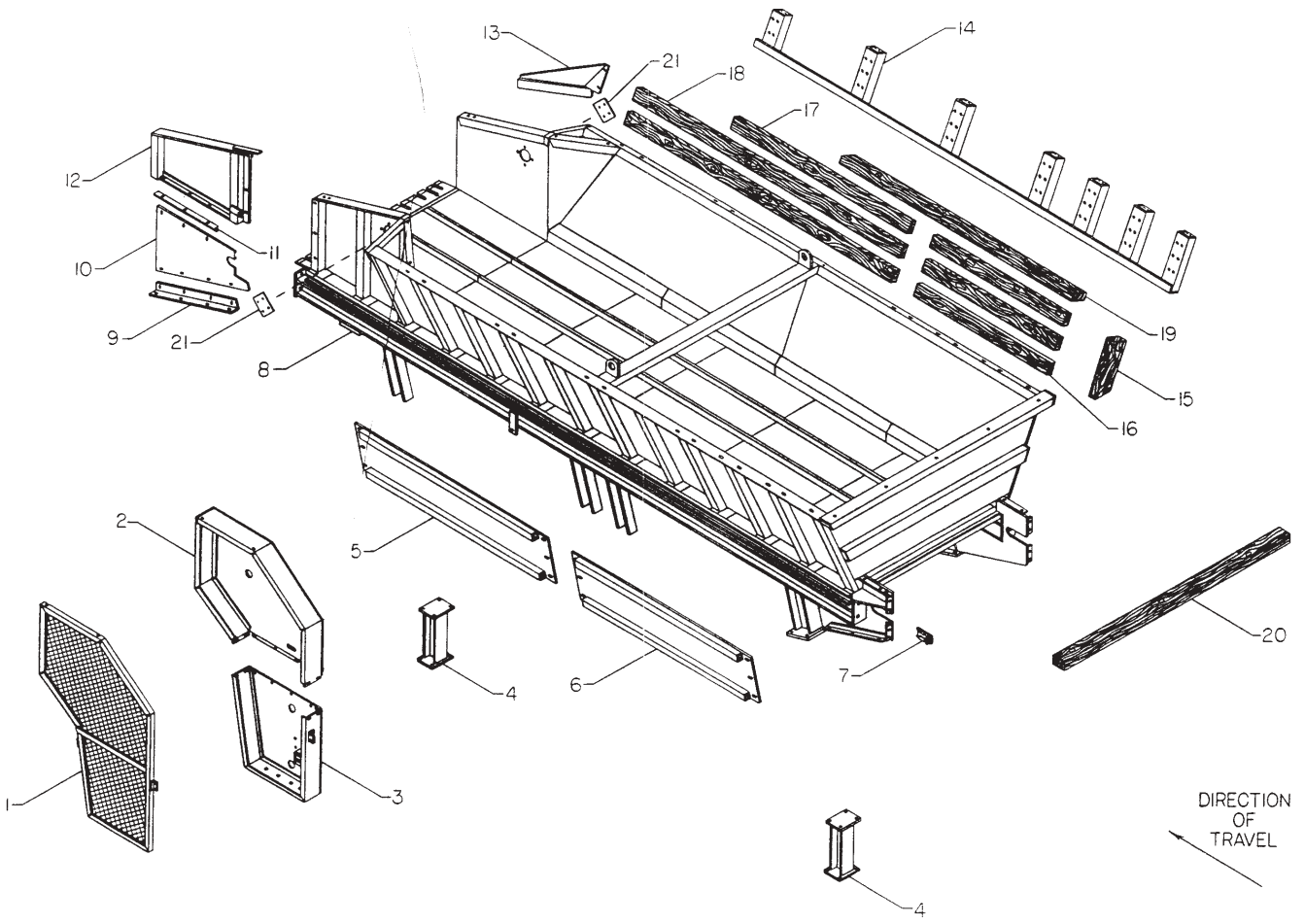
Address _____

Model No. _____ Serial No. _____ Date Purchased _____

1100 Holland Road Suffolk, VA 23434 U.S.A. (804) 539-0231
Telex - 494-6083 / Fax - (804) 934-3264

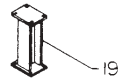
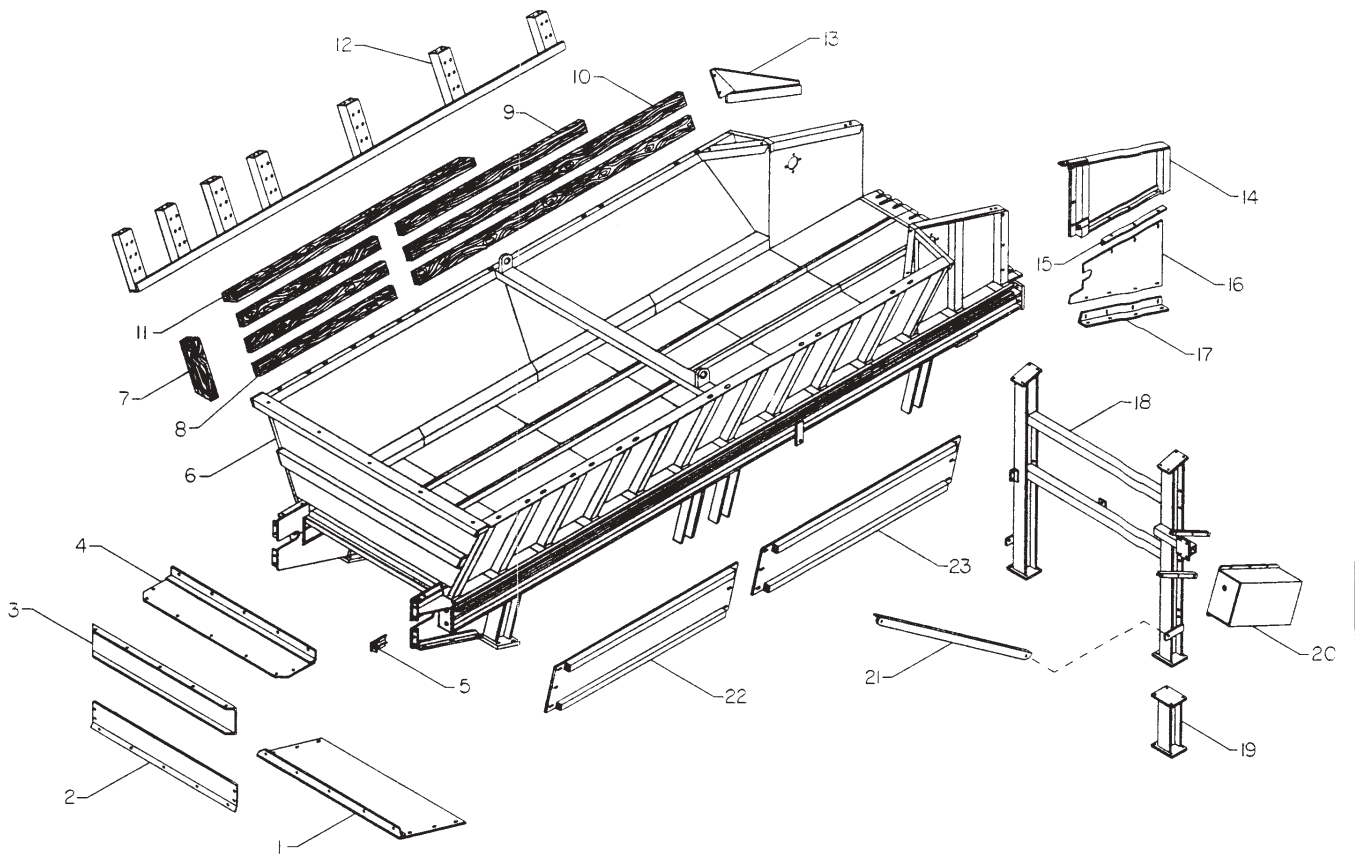
1701 S. Slappey Blvd./P.O. Box 3687 Albany, GA 31706
(912) 439-2217 / Fax (912) 439-9343

AMADAS
INDUSTRIAL



1. LEFT SIDE

NO.	PART NO.	KEYWORD	DESCRIPTION	NO. REQ'D
1	121783	COVER	DRIVE SHIELD	1
2	121781	SHIELD	UPPER DRIVE TRAIN	1
3	121782	SHIELD	LOWER DRIVE TRAIN	1
4	90440	EXTENSION	LEG (2 FT. LONG)	2
5	121787	PANEL	LEFT FRONT DEFLECTOR	1
6	121789	PANEL	LEFT REAR DEFLECTOR	1
7	90434	PANEL	RETURN;LEFT MIDDLE	1
8	90422	FRAME	858X26 FEEDER; MAIN	1
9	60448	MOUNT	DISCHARGE PANEL;LOWER	OPT
10	121793	PANEL	LOWER DISCHARGE EXTENSION	OPT
11	60447	MOUNT	DISCHARGE PANEL;UPPER	OPT
12	121790	PANEL	DISCHARGE EXTENSION;LEFT	1
13	121785	GUSSET	RIGHT SIDE EXTENSION	1
14	90432	FRAME	RIGHT BATTER BOARD	1
15	13363	BOARD	DIAGONAL INFEED;24LGX4X6	1
16	13358	BOARD	6'LONG X 2" X 6" TREATED	3
17	13360	BOARD	8'LONG X 2" X 6" TREATED	1
18	13359	BOARD	12'LONG X 2" X 6" TREATED	2
19	13362	BOARD	125"LG X 4" X 6" TREATED	1
20	13364	BOARD	10'LONG X 4" X 6" TREATED	1
21	122801	PLATE	COVER.....(USE W/#7237 AGITATIR KIT)	OPT

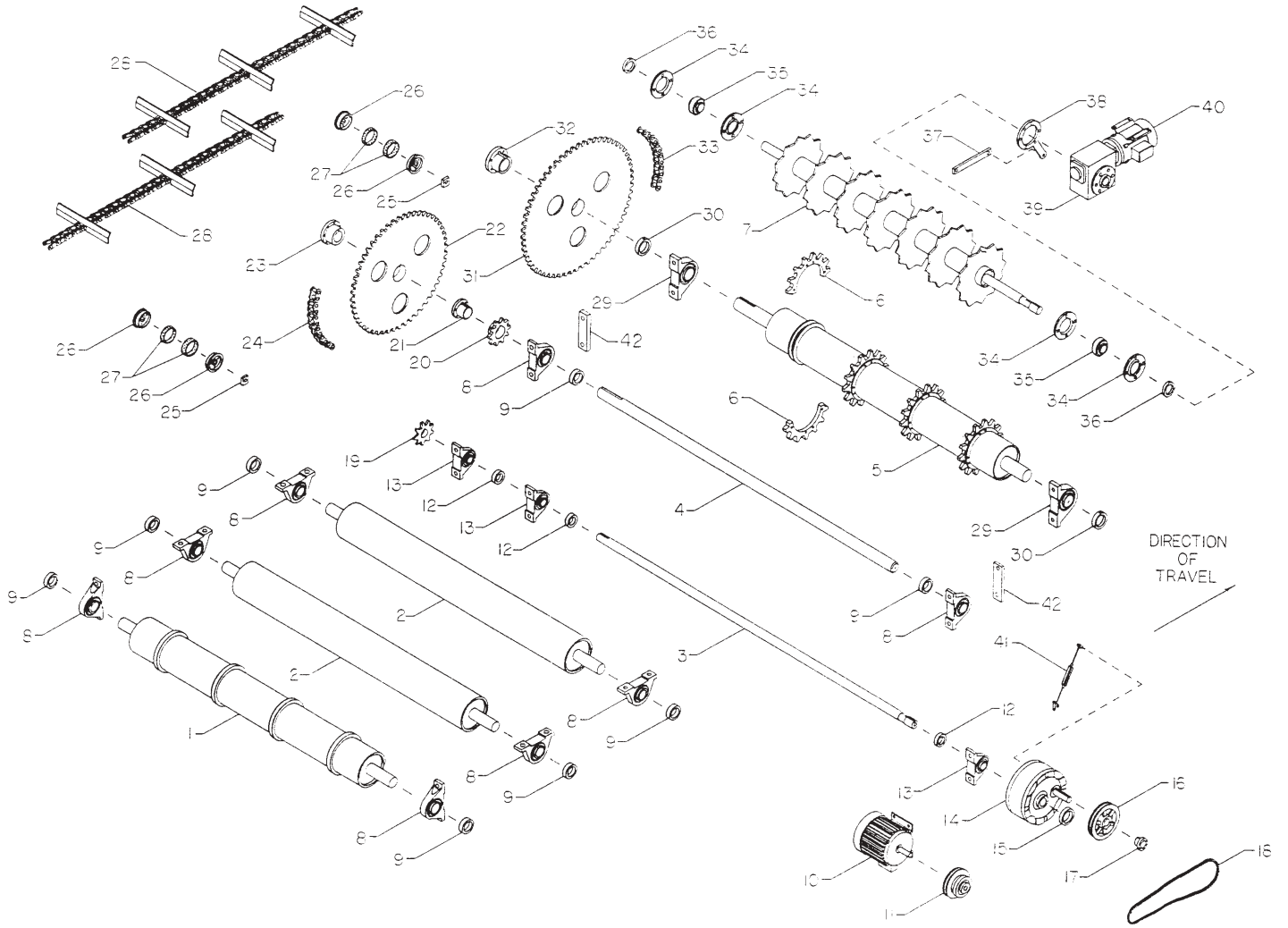


DIRECTION OF TRAVEL



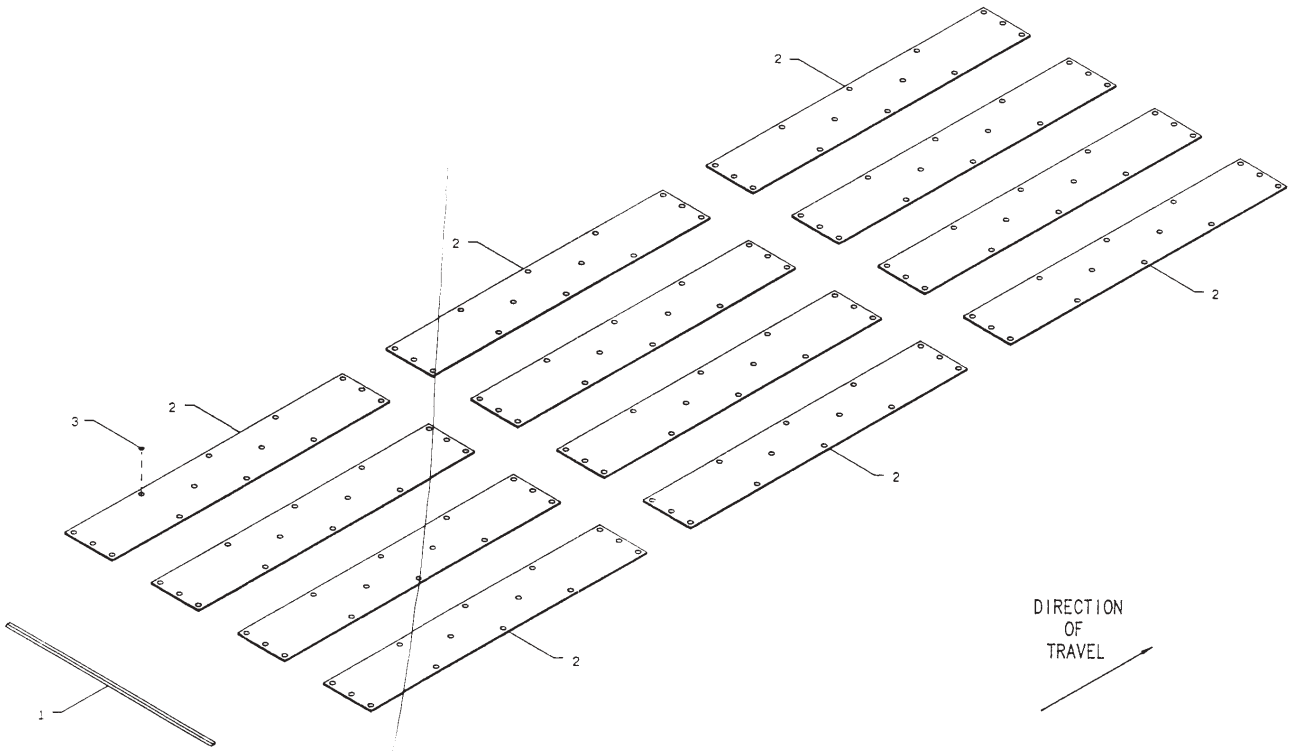
2. RIGHT SIDE

NO.	PART NO.	KEYWORD	DESCRIPTION	NO. REQ'D
1	121778	COVER	REAR ROTOR;BOTTOM	1
2	121777	COVER	LOWER REAR	1
3	90435	CHANNEL	BUMPER	1
4	121779	COVER	REAR ROTOR;TOP	1
5	90433	PANEL	RETURN;RIGHT MIDDLE	1
6	90422	FRAME	858X26 FEEDER MAIN	1
7	13363	BOARD	DIAGONAL INFEED;24LGX4X6	1
8	13358	BOARD	6'LONG X 2" X 6" TREATED	3
9	13360	BOARD	8'LONG X 2" X 6" TREATED	1
10	13359	BOARD	12'LONG X 2" X 6" TREATED	2
11	13362	BOARD	125"LG X 4" X 6" TREATED	1
12	90431	FRAME	LEFT BATTER BOARD	1
13	121784	GUSSET	LEFT SIDE EXTENSION	1
14	121791	PANEL	DISCHARGE EXTENSION;RIGHT	1
15	60447	MOUNT	DISCHARGE PANEL;UPPER	OPT
16	121793	PANEL	LOWER DISCHARGE EXTENSION	OPT
17	60448	MOUNT	DISCHARGE PANEL;LOWER	OPT
18	90394	FRAME	FRONT LEG "H"	1
19	90440	EXTENSION	2 FOOT LEG	2
20	121780	SHIELD	MOTOR DRIVE BELT	1
21	90436	BRACE	FRONT LEG	2
22	121788	PANEL	RIGHT REAR DEFLECTOR	1
23	121786	PANEL	RIGHT FRONT DEFLECTOR	1



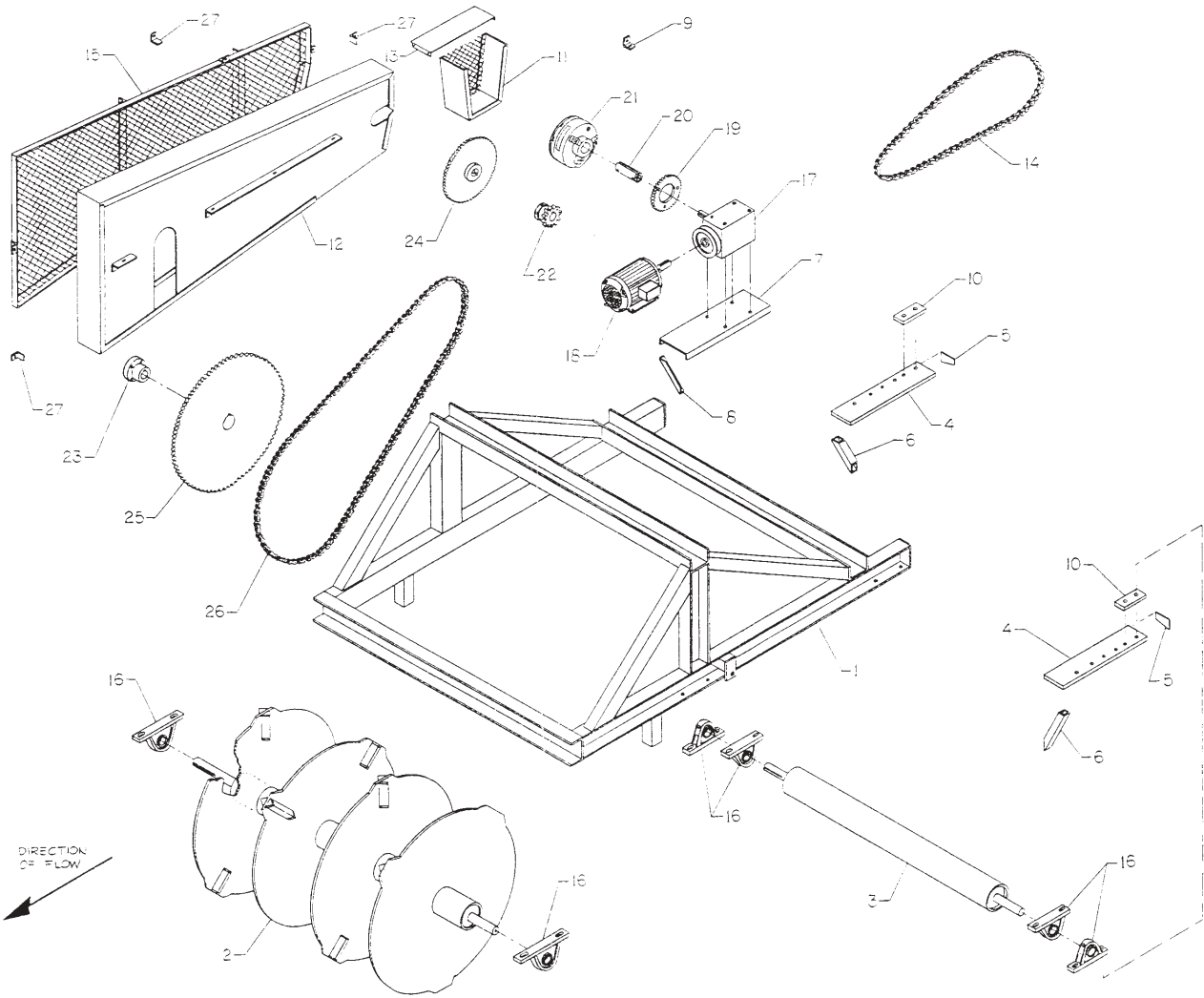
3. DRIVE ASSEMBLY

NO.	PART NO.	KEYWORD	DESCRIPTION	NO. REQ'D
1	10280	IDLER	REAR CHAIN;858	1
2	10281	IDLER	CHAIN SUPPORT	2
3	10277	SHAFT	MAIN DRIVE	1
4	5670C	SHAFT	ROTOR	1
5	10279	ROTOR	DRIVE;858	1
6	51062	SPROCKET	1/2 SECTION	8
7	10278	ROTOR	AGITATOR	OPT
--	10313	ROTOR	EXTENDED AGITATOR	OPT
--	10313A	FLAT	AGITATOR	OPT
8	3124	BEARING	2-7/16 PILLOW BLOCK W/COLLAR	8
--	3126	INSERT	2-7/16 REPLACEMENT BEARNG	A/R
9	3125	COLLAR	2-7/16 ECCENTRIC LOCKING	A/R
10	15162	MOTOR	3 HP TEFC 182T 1750 3PH	1
11	5416	SHEAVE	VARIABLE SPEED;BRD 1-1/8	1
12	3087	COLLAR	2-3/16 ECCENTRIC LOCKING	A/R
13	3111	BEARING	2-3/16 PILLOW BLOCK W/COLLAR	3
--	3086	INSERT	2-3/16 REPLACEMENT BEARING	A/R
14	11141	GEARBOX	24:1;2-3/16 SHAFT MOUNT	1
15	3133	COLLAR	2-3/16 BOSTON LOCKING.(ONE SHOWN)	2
16	5708	SHEAVE	1TB80 P1	1
17	5707	BUSHING	P1 1-9/16	1
18	B63	BELT		1
19	5694	SPROCKET	80B14 W/2-3/16 BORE	1
20	120Q11	SPROCKET	120Q11	1
21	5663	BUSHING	Q1(2-7/16)	1
22	80R84	SPROCKET	80R84	1
23	5655	BUSHING	R1 X 2-7/16	1
24	4365-101	CHAIN	NO.80 ROLLER;101 PITCHES	1
25	2020	NUT	ADJUSTING	2
26	5218	IDLER	4" BELT, ONE OPEN SIDE	4
27	5204	TIRE	CHAIN IDLER	4
28	4473	CHAIN	FEEDER FLIGHT (858)	20
29	3048	BEARING	2-15/16 PILLOW BLOCK W/COLLAR	2
--	3083	INSERT	2-15/16 REPLACEMNT BEARNG	A/R
30	3084	COLLAR	2-15/16 ECCENTRIC LOCKING	A/R
31	120S70	SPROCKET	120S70	1
32	5735	BUSHING	S2 2-15/16	1
33	4482-99	CHAIN	NO.120, 97 PITCHES+CONNECTOR+OFFSET	1
--	4482	CHAIN	NO.120 ROLLER,8 LINKS/FT	A/R
--	4482A	LINK	NO.120 CONNECTING	A/R
--	4482B	LINK	NO.120 OFFSET	A/R
<hr/>				
--	7245	KIT	858X26 MECHANICAL AGITATOR....(INCLUDES ITEMS #34 - #40 AND IS USED WITH OPTIONAL ITEM #7)	
34	3108	FLANGETTE	100MSC2 FOR 2-3/16" BRG	4
35	3086	INSERT	2-3/16 REPLACEMENT BEARING W/COLLAR	2
36	3112	COLLAR	2-3/16 CONCENTRIC LOCKING	A/R
37	60446	ARM	GEARBOX MOUNTING	1
38	11136A	ARM	INTEGRAL TORQUE	1
39	11136	GEARBOX	20TO1 3HP SHAFT MOUNTED	1
40	15163	MOTOR	3H/3P/460/1800/182TC/TEFC	1
<hr/>				
41	11142	TURNBUCKLE	5/8 EYE TO EYE(KIT)	1
42	122067	SPACER	BEARING	2



4. OPTIONAL POLYETHYLENE SLIDES

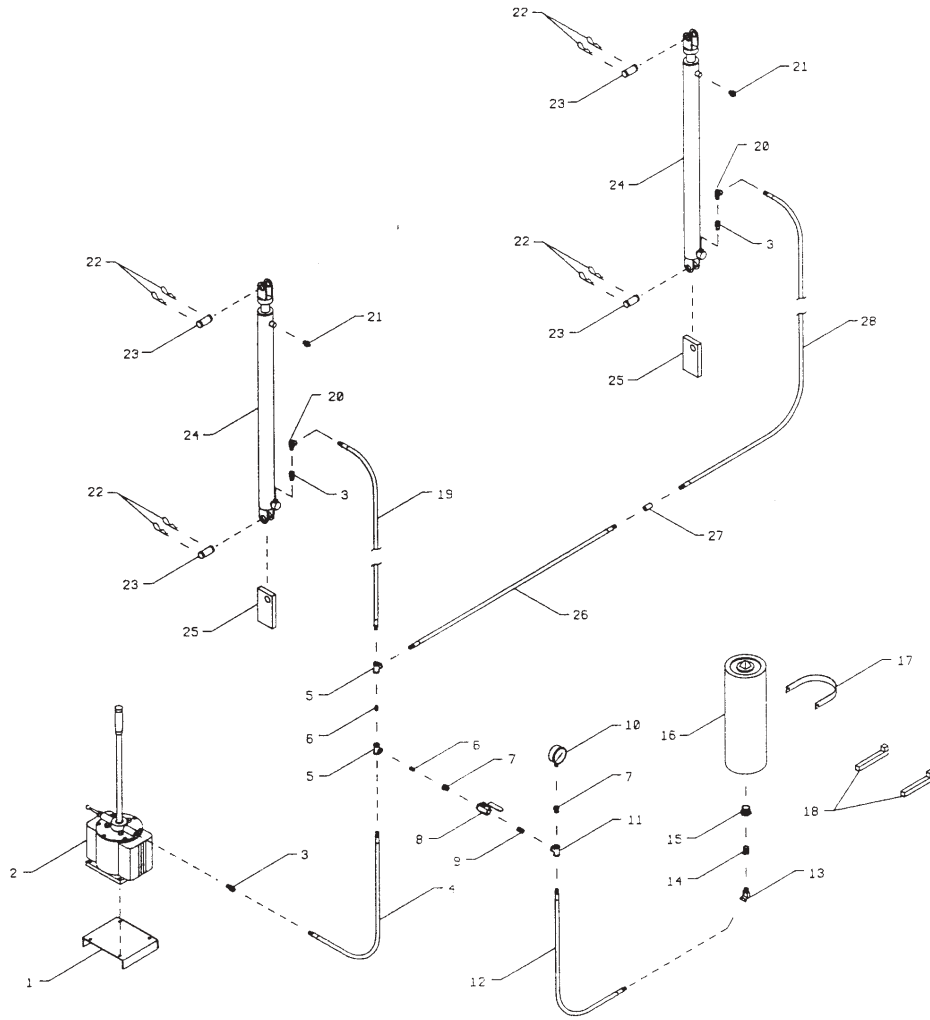
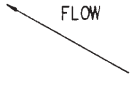
NO.	PART NO.	KEYWORD	DESCRIPTION	NO. REQ'D
1	91415	FLAT	858X26 TOP SLIDE	1
2	13460	SLIDE	858X26 TROUGH POLY 8'	12
3	1573	WASHER	WELD 1.3/8 X 3/8 X 14 GA	168



5. OPTIONAL #7237 AGITATOR KIT FRAME & DRIVE

NO.	PART NO.	KEYWORD	DESCRIPTION	NO. REQ'D
1	90904	FRAME	FLOATING AGITATOR ROTOR	1
2	10344	ROTOR	FLOATING AGITATOR	1
3	10345	ROTOR	AGITATOR IDLER	1
4	90908	FLAT	BEARING MOUNT	2
5	90907	GUSSET	FRAME MOUNTING	2
6	90911	TUBING	PLATE SUPPORT	2
7	90910	MOUNT	GEARBOX	1
8	90909	ANGLE	GEARBOX MOUNTING	1
9	20016	ANGLE	SHIELD MOUNTING	1
10	90913	SPACER	AGITATOR IDLER	2
11	122291	SHIELD	AGITATOR GEARBOX	1
12	122289	SHIELD	AGITATOR DRIVE	1
13	122288	SHIELD	CAP (TORQUE GUARD)	1
14	4043-138	CHAIN	NO.60,137 PITCHES+CONN.	1
--	4043	CHAIN	NO.60 ROLLER;16 LINKS/FT	A/R
--	4043A	LINK	NO. 60 CONNECTING	A/R
15	122290	DOOR	AGITATOR SHIELD	1
16	3124	BEARING	2-7/16 PILLOW BLOCK W/COLLAR	6
17	11037	GEARBOX	20:1,3HP	1
18	15163	MOTOR	3H/3P/460/1800/182TC/TEFC	1
19	51069	SPROCKET	60A36 TORQUE GUARD CLUTCH	1
20	20018	BUSHING	TORQUE GUARD CLUTCH 1-3/8	1
21	11185	CLUTCH	TRQ GARD4000#/22HP/350RPM	1
			(2000-4000 IN/LBS / 22 HP MAX)	
22	51070	SPROCKET	100B12 F/2-7/16 BORE	1
23	5655	BUSHING	R1 X 2-7/16	1
24	51071	SPROCKET	60B64 F/2-7/16	1
25	100R84	SPROCKET	100R84	1
26	4456-147	CHAIN	NO.100,145 PITCHES+CONN.+OFFSET	1
--	4456	CHAIN	NO.100 ROLLER;9.6 LNKS/FT	A/R
--	4456A	LINK	NO.100 CONNECTING	A/R
--	4456B	LINK	NO.100 OFFSET	A/R
27	121782C	ANGLE	LOWER SHIELD (WELD ON ASSEMBLY)	3

DIRECTION
OF
FLOW



6. OPTIONAL #7237 AGITATOR KIT HYDRAULIC ASSEMBLY

NO.	PART NO.	KEYWORD	DESCRIPTION	NO. REQ'D
1	90905	MOUNT	HYDRAULIC PUMP	1
2	14755	PUMP	HAND 2500PSI HYDRAULIC	1
3	2046	COUPLING	1/4 SWIVEL	3
4	14748	HOSE	1/4 X 32 HYDR. 2750PSI	1
5	2186	TEE	1/4 GALVANIZED	2
6	2260	NIPPLE	1/4 X 1	2
7	2048	BUSHING	3/8 TO 1/4 HYDR.REDUCER	2
8	14753	VALVE	3/8 BALL	1
9	2123	NIPPLE	3/8 CLOSE; GALVANIZED	1
10	14756	GAUGE	1000PSI HYDRAULIC	1
11	2049	TEE	3/8	1
12	14751	HOSE	3/8 X 42 HYDR. 2250PSI	1
13	2173	COUPLING	3/8 45 DEGREE SWIVEL	1
14	2890	BUSHING	1/2 TO 3/8 HYDRAULIC PIPE	1
15	20015	BUSHING	1/2 TO 1" PIPE, GALV	1
16	14754	ACCUMULATR	HYD 1GAL/2000PSI WORK PRS	1
17	122286	STRAP	ACCUMULATOR MOUNTING	1
18	90906	MOUNT	ACCUMULATOR	2
19	14749	HOSE	1/4 X 90 HYDR. 2750PSI	1
20	2047	COUPLING	1/4 45 DEGREE SWIVEL	2
21	1044	VALVE	1/4 AIR CONTROL	2
22	2196	PIN	COTTER	8
23	2211	PIN	CYLINDER ATTG 1-3/4X1 DIA	4
24	14000	CYLINDER	2X30 HYDRAULIC	2
25	90912	MOUNT	HYDRAULIC CYLINDER	2
26	14747	HOSE	1/4 X 42 HYDR. 2750PSI	1
27	2676	COUPLING	1/4 GALV. PIPE	1
28	14750	HOSE	1/4 X 105 HYDR. 2750PSI	1

DANGER

Machinery may start without warning.
Operated from remote location.

8180

1

CAUTION

Do Not Operate this machine until you have read and understand the operators manual. If you do not have a copy of the operators manual contact your dealer or our factory immediately.

Amadas Industries
1100 Holland Rd./Suffolk, VA 23434
804-539-0231
or
1701 S. Slappey Blvd./Albany, GA
31706 — 912-439-2217

8191

2

CAUTION

Do Not Operate unless all Safety Shields & Guards are in place.

8188

3

CAUTION

- 1) Keep all Shields, in place while Machinery is in Operation.
- 2) Disengage Power before proceeding to adjust, lubricate, clean, unclog or otherwise work on machine unless specifically recommended in the Operator's Manual.
- 3) Wait for all motion to stop before servicing this machine.
- 4) Keep Hands, Feet, and Clothing away from moving parts.
- 5) Keep off Equipment unless seat or platform for operation is provided.
- 6) Keep all others off.
- 7) Make certain everyone is clear of machine before starting operation.

8190

4

7. DECALS

NO.	PART NO.	KEYWORD	DESCRIPTION	NO. REQ'D
1	8180	DECAL	DANGER: REMOTE OPERATION... ..	4
2	8191	DECAL	WARNING: READ OP. MANUAL	1
3	8188	DECAL	CAUTION: DO NOT OPERATE W/O SHIELDS	2
4	8190	DECAL	CAUTION: (LIST)	2

NOTE: THE FOLLOWING DECALS ARE USED

BUT ARE NOT SHOWN:

--	8343	DECAL	AMADAS "AMERICAN MADE"	A/R
--	8397	DECAL	AMADAS; 18" GRAY	A/R
--	8398	DECAL	AMADAS; 36" GRAY	A/R

REFER TO OPERATOR'S MANUAL FOR LOCATION

OF DECALS & ADDITIONAL SAFETY

INFORMATION.

NUMERICAL PARTS INDEX

PART NO.	PAGE	PART NO.	PAGE	PART NO.	PAGE
B63	7	14751	13	5655	7,11
100R84	11	14753	13	5663	7
10277	7	14754	13	5670C	7
10278	7	14755	13	5694	7
10279	7	14756	13	5707	7
10280	7	15162	7	5708	7
10281	7	15163	7,11	5735	7
10313	7	1573	9	60446	7
10313A	7	20015	13	60447	3,05
10344	11	20016	11	60448	3,05
10345	11	20018	11	7245	7
1044	13	2020	7	80R84	7
11037	11	2046	13	8180	15
11136	7	2047	13	8188	15
11136A	7	2048	13	8190	15
11141	7	2049	13	8191	15
11142	7	2123	13	8343	15
11185	11	2173	13	8397	15
120Q11	7	2186	13	8398	15
120S70	7	2196	13	90394	5
121777	5	2211	13	90422	3,05
121778	5	2260	13	90431	5
121779	5	2676	13	90432	3
121780	5	2890	13	90433	5
121781	3	3048	7	90434	3
121782	3	3083	7	90435	5
121782C	11	3084	7	90436	5
121783	3	3086	7	90440	3,05
121784	5	3087	7	90904	11
121785	3	3108	7	90905	13
121786	5	3111	7	90906	13
121787	3	3112	7	90907	11
121788	5	3124	7,11	90908	11
121789	3	3125	7	90909	11
121790	3	3126	7	90910	11
121791	5	3133	7	90911	11
121793	3,05	4043	11	90912	13
122067	7	4043-138	11	90913	11
122286	13	4043A	11	91415	9
122288	11	4365-101	7		
122289	11	4456	11		
122290	11	4456-147	11		
122291	11	4456A	11		
122801	3	4456B	11		
13358	3,05	4473	7		
13359	3,05	4482	7		
13360	3,05	4482-99	7		
13362	3,05	4482A	7		
13363	3,05	4482B	7		
13364	3	51062	7		
13460	9	51069	11		
14000	13	51070	11		
14747	13	51071	11		
14748	13	5204	7		
14749	13	5218	7		
14750	13	5416	7		

WARRANTY

For AMADAS INDUSTRIES Industrial Machinery

A. General Provisions

AMADAS INDUSTRIES ("Company") warrants that each machine manufactured by it and sold under its trademark shall be free from defects in material and workmanship. The company's sole obligation under this warranty shall be limited to making good, F.O.B. Company factory, any part of its product which under normal and proper use and maintenance proves defective in material and workmanship within six months after delivery to the Buyer provided that notice of such defect and satisfactory proof thereof is promptly given by the Buyer to the Company, with transportation charges prepaid, and Company's examination proves such part to have been defective.

This warranty does not apply in respect to damage to any product or accessory or attachment thereof caused by overloading or other misuse, neglect or accident nor does this warranty apply to any product, or accessory or attachment thereof which shall have been repaired or altered by other than the Company which, in the sole judgement of the Company affects the performance, stability or purpose for which it was manufactured.

With respect to tires, engines, or other trade accessories, the Company makes no warranty whatsoever and the buyer shall rely solely upon the existing warranties, if any, of the respective manufacturers thereof.

B. Unapproved Service or Modification

All obligations of AMADAS INDUSTRIES under this warranty are terminated if the machinery is modified or altered in ways not approved by AMADAS INDUSTRIES

C. Owner's Responsibilities

- a. Read the operator's manual before operating the machinery.
- b. Perform all necessary maintenance as described in the operators's manual.
- c. Contact AMADAS INDUSTRIES promptly on any warranty claim.
- d. Sign the AMADAS INDUSTRIES machine delivery form and return promptly as this validates the warranty.

D. Disclaimer

There are no warranties that extend beyond the description here. **ANY WARRANTIES OF MERCHANTABILITY AND FITNESS FOR ANY PARTICULAR PURPOSE ARE SPECIFICALLY DISCLAIMED AS ARE ALL OTHER REPRESENTATIONS TO THE PURCHASER.** AMADAS INDUSTRIES specifically excludes any liability on behalf of the Company for any incidental or consequential damages including, but not limited to loss of profits, rental of substitute equipment, or other commercial losses. AMADAS INDUSTRIES shall not be responsible for expenses or inconvenience that you might incur or experience with respect to any AMADAS INDUSTRIES Industrial Machinery, nor shall AMADAS INDUSTRIES be liable for defects, damage, or failure caused by improper storage, unreasonable use, or abuse, or accident, including the failure to provide reasonable and specified maintenance. This warranty applies only to the original purchaser of the machinery. Because some states do not allow the exclusion of limitation of incidental or consequential damages, the above limitation may not apply to you. This warranty gives you specific legal rights. You may also have other rights, which vary from state to state. Where there is a conflict between a provision of this warranty and the provision of any state, the state legislation prevails.

AMADAS
INDUSTRIES