

T72X30S0  
STATIONARY TROMMEL  
SCREEN

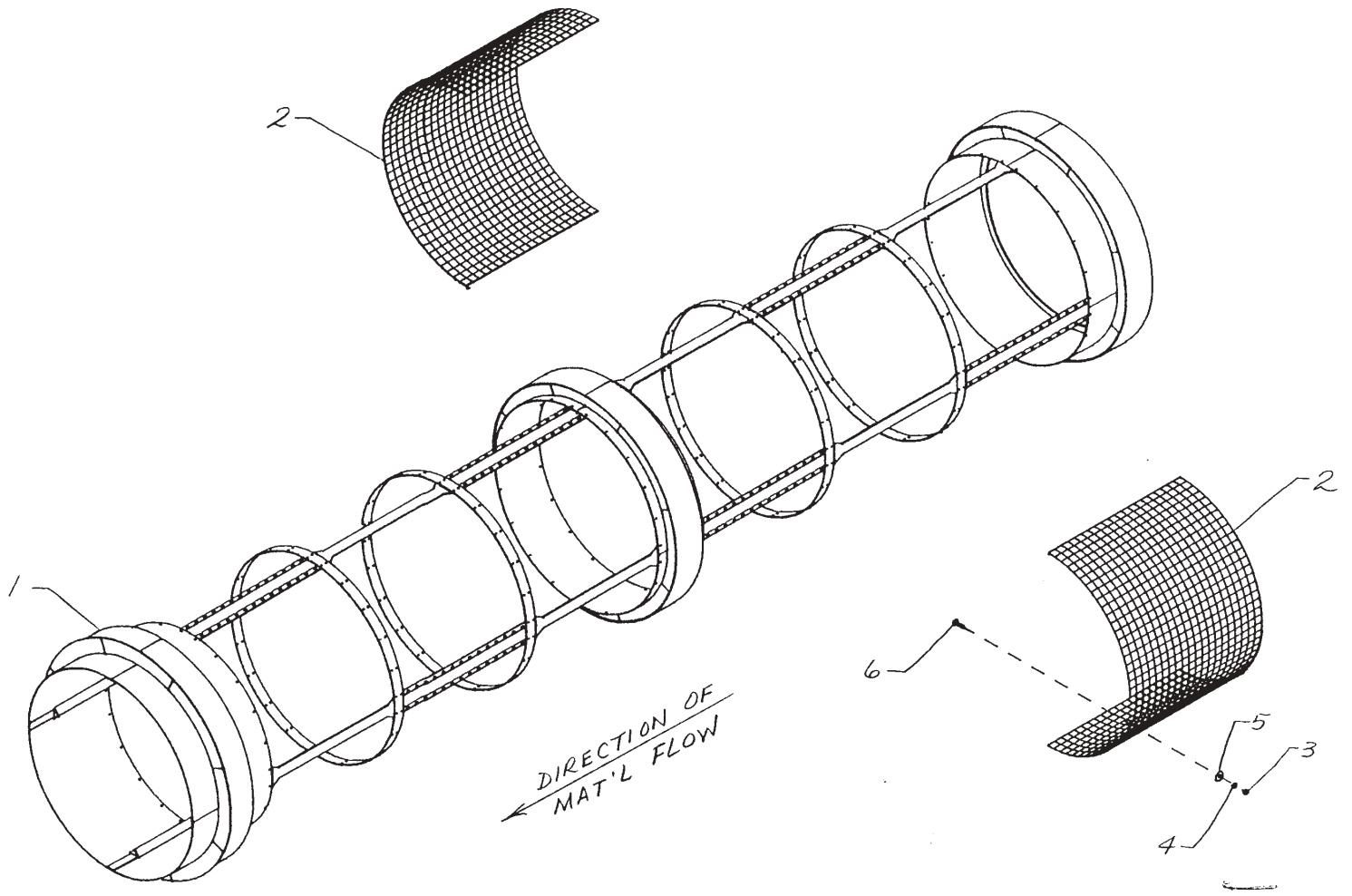
CAT097

OWNER'S NAME \_\_\_\_\_

DEALER'S NAME \_\_\_\_\_

SERIAL NUMBER \_\_\_\_\_

DATE PURCHASED \_\_\_\_\_



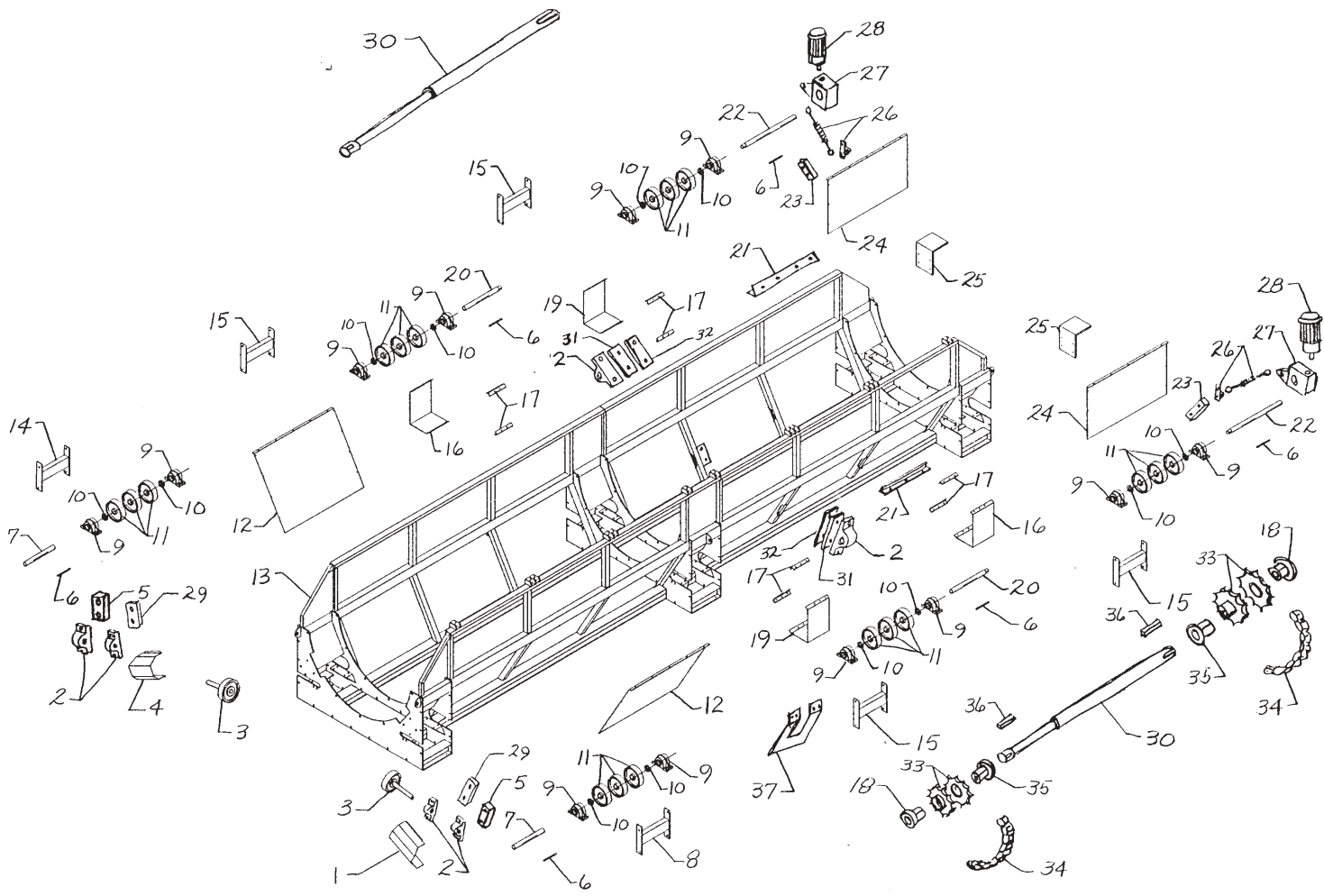
T7250-1 Drum Section

4/6/92

T72x3φ50

1. DRUM SECTION

NO.	PART NO.	KEYWORD	DESCRIPTION	NO. REQ'D
1	91788	DRUM	TROMMEL W/SCREEN ATTACHING HOLES .....	1
2	13533	SCREEN	1" OPENING; 60" WIDE .....	6
--	13535	SCREEN	1/2" OPENING; 60" WIDE .....	6
3	G120377	NUT	3/8-16 USS' .....	624
4	G120382	LOCKWASHER	3/8 .....	624
5	122711	CLAMP	SCREEN .....	624
6	G126411	BOLT	3/8-16X1-1/2 CARRIAGE .....	624



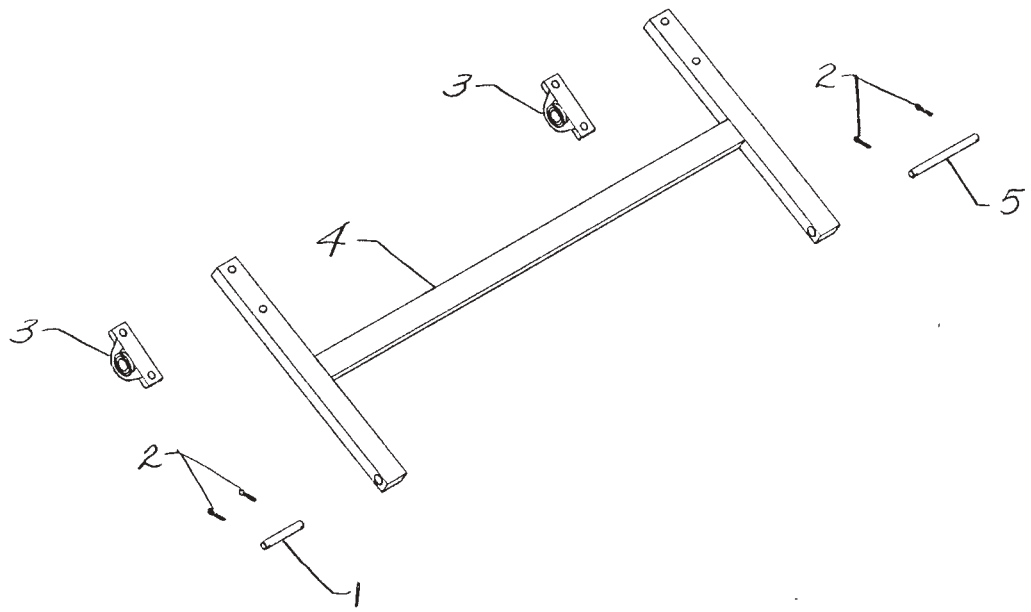
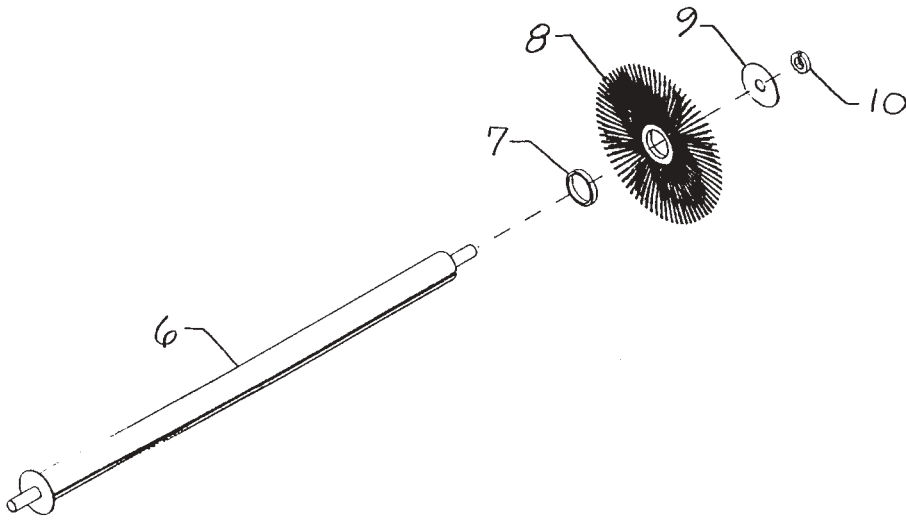
T7250-2 Frame Section

4/15/92

T72x3φ50

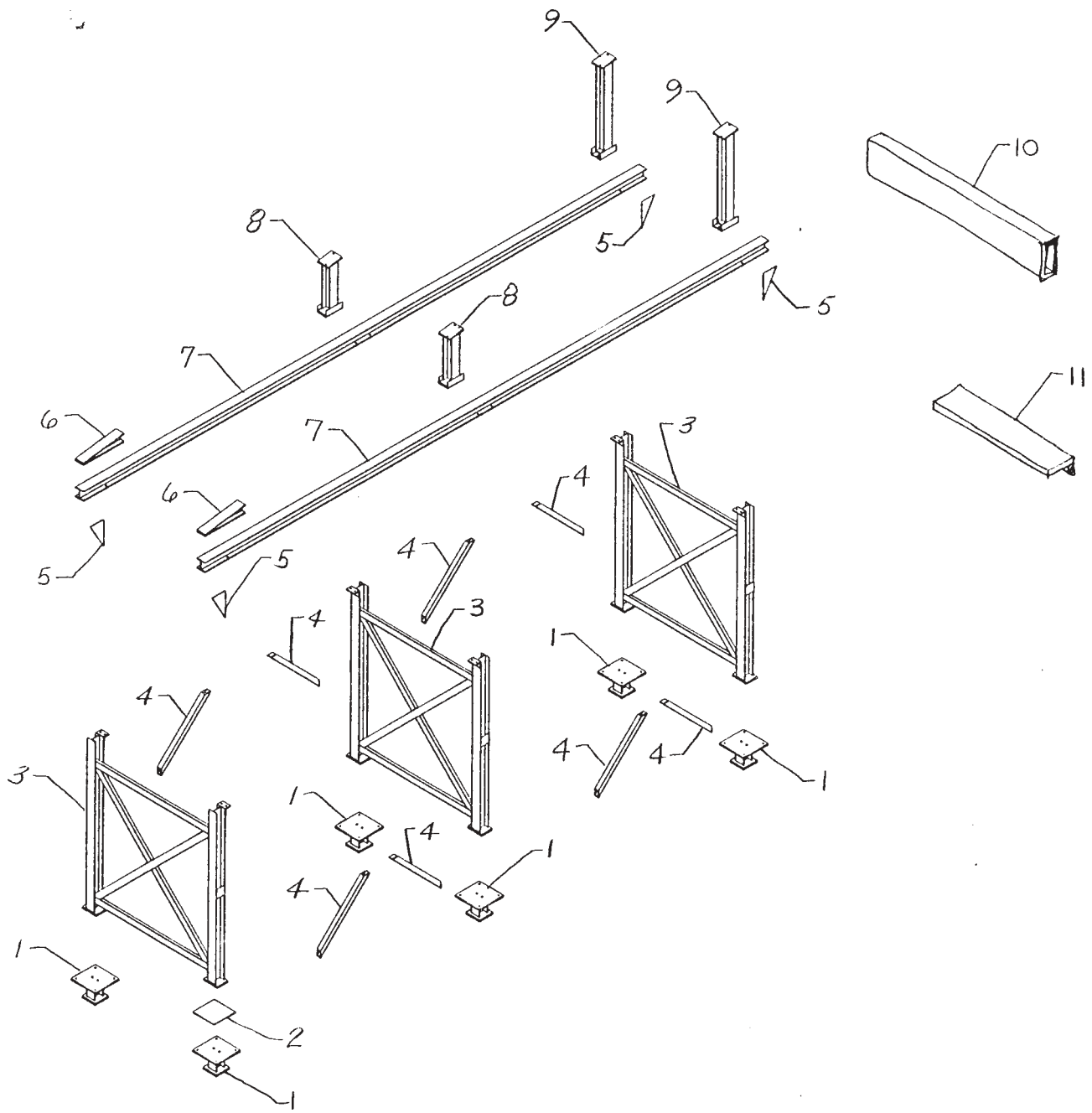
2. FRAME AND DRIVE SECTION

NO.	PART NO.	KEYWORD	DESCRIPTION	NO. REQ'D
1	123206	SHIELD	LEFT THRUST ROLLER .....	1
2	3111	BEARING	2-3/16 PILLOW BLOCK .....	6
3	60919	ROLLER	T72X30SO THRUST .....	2
4	123205	SHIELD	RIGHT THRUST ROLLER .....	1
5	20306	SPACER	HRUST ROLLER BEARING; 1" .....	2
6	1630	KEY	9.50 LONG X 5/8 X 5/8 .....	6
7	10482	SHAFT	ROLLER IDLER .....	2
8	91842	BRACE	OUTLET DRUM SUPPORT; LEFT .....	1
9	3151	BEARING	2.7/16 PILLOW BLOCK .....	12
10	3142	COLLAR	2-7/16 1 PIECE CLAMPING .....	12
11	8366	WHEEL	2.7/16 BORE WITH KEYWAY .....	18
12	123221	PANEL	LOWER MATERIAL SLIDE .....	12
13	-91826	FRAME	T72X30SO .....	1
14	91839	BRACE	OUTLET DRUM SUPPORT; RIGHT .....	1
15	91838	BRACE	DRUM SUPPORT .....	4
16	123207	SHIELD	RIGHT U-JOINT .....	2
17	91837	MOUNT	U-JOINT SHIELD .....	8
18	5455	BUSHING	Q1 2" .....	4
19	123208	SHIELD	LEFT U-JOINT .....	2
20	10485	SHAFT	MID-SECTION DRIVE .....	2
21	123223	BRACE	MATERIAL SLIDE .....	12
22	10484	SHAFT	INLET DRIVE .....	2
23	20305	SPACER	REACTION ROD .....	2
24	123222	PANEL	UPPER MATERIAL SLIDE .....	12
25	123212	SHIELD	DRIVE MOTOR .....	2
26	11142	TURNBUCKLE	5/8 DIA. EYE TO EYE (KIT) .....	2
27	11242	GEARBOX	20:1 TORQUE ARM WORM GEAR .....	2
28	15823	MOTOR	7.5H/3P/460/1750/213TF .....	2
29	20311	SPACER	THRUST ROLLER BEARING; 3/8" .....	2
30	10487	SHAFT	DRIVE .....	2
31	20312	SPACER	BEARING; 3/8" .....	2
32	20313	SPACER	BEARING; 1/2" .....	2
33	5795	COUPLING	2-7/16 C60Q20 1/2 CHAIN .....	8
34	4498	CHAIN	C60-20 COUPLING ROLLER .....	4
35	5691	BUSHING	Q1 - 2-3/16 .....	4
36	1275	KEYSTOCK	1/2 X 2 .....	4
37	123230	SHIELD	SPILLAGE .....	1



3. BRUSH SECTION

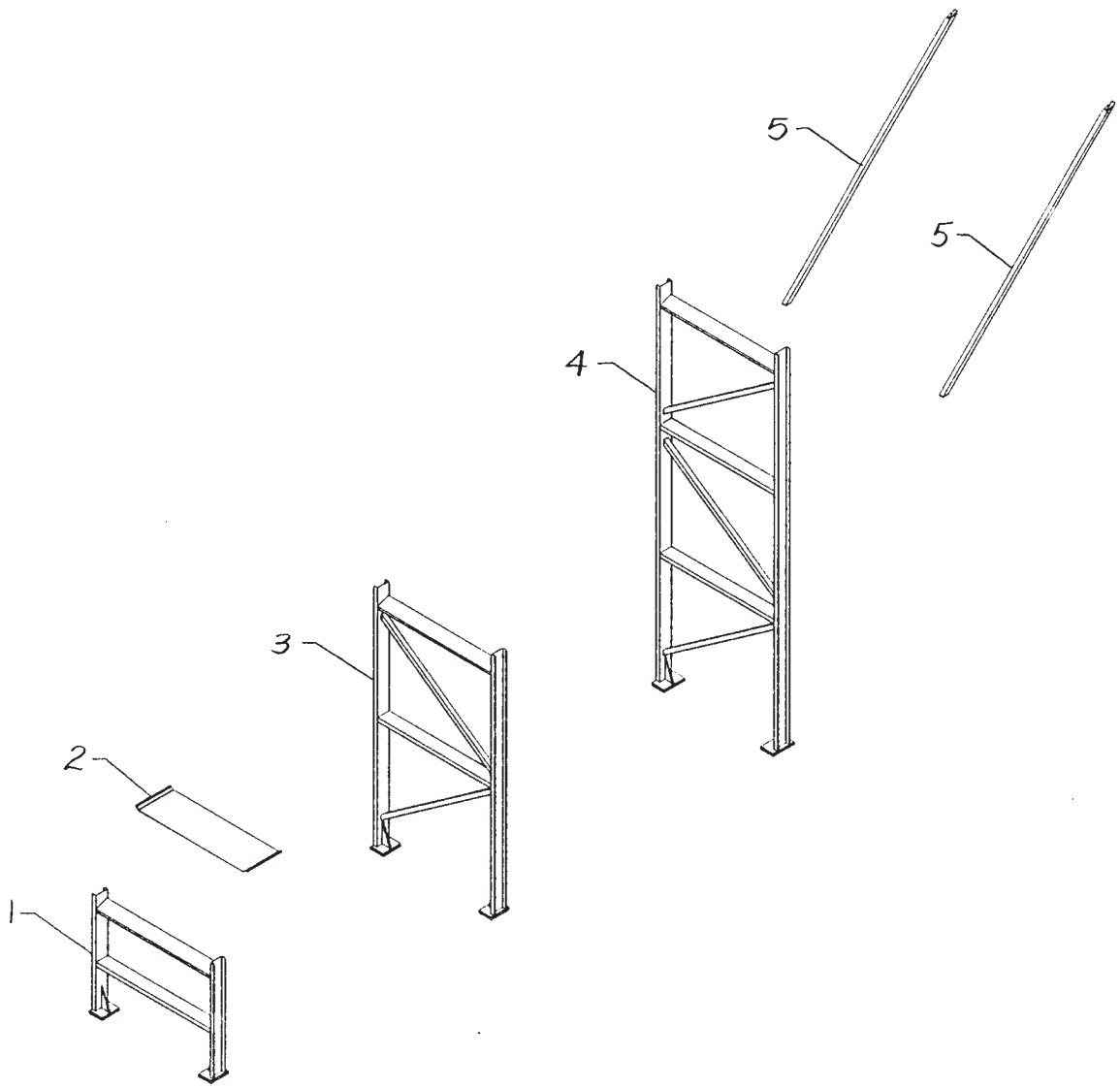
NO.	PART NO.	KEYWORD	DESCRIPTION	NO. REQ'D
1	10391	ROD	BRUSH ARM MOUNT.....7395	1
2	2200	PIN	COTTER 3/16X1-1/4 .....	4
3	3002	BEARING	1-3/16 RAK PILLOW BLOCK .....	2
4	91790	ARM	5' BRUSH .....	1
5	10392	ROD	BRUSH ARM MOUNT.....7395	1
--	10392	ROD	BRUSH ARM MOUNT.....7396	2
6	5453	ROLLER	5' BRUSH .....	1
7	2843	SPACER	CLEANING BRUSH .....	45
8	4497	BRUSH	2-7/8X16 WAFER WHEEL .....	44
9	122768	CAP	BRUSH ROLLER .....	1
10	3167	COLLAR	1.3/16 DIA. 1-PIECE CLAMP .....	1





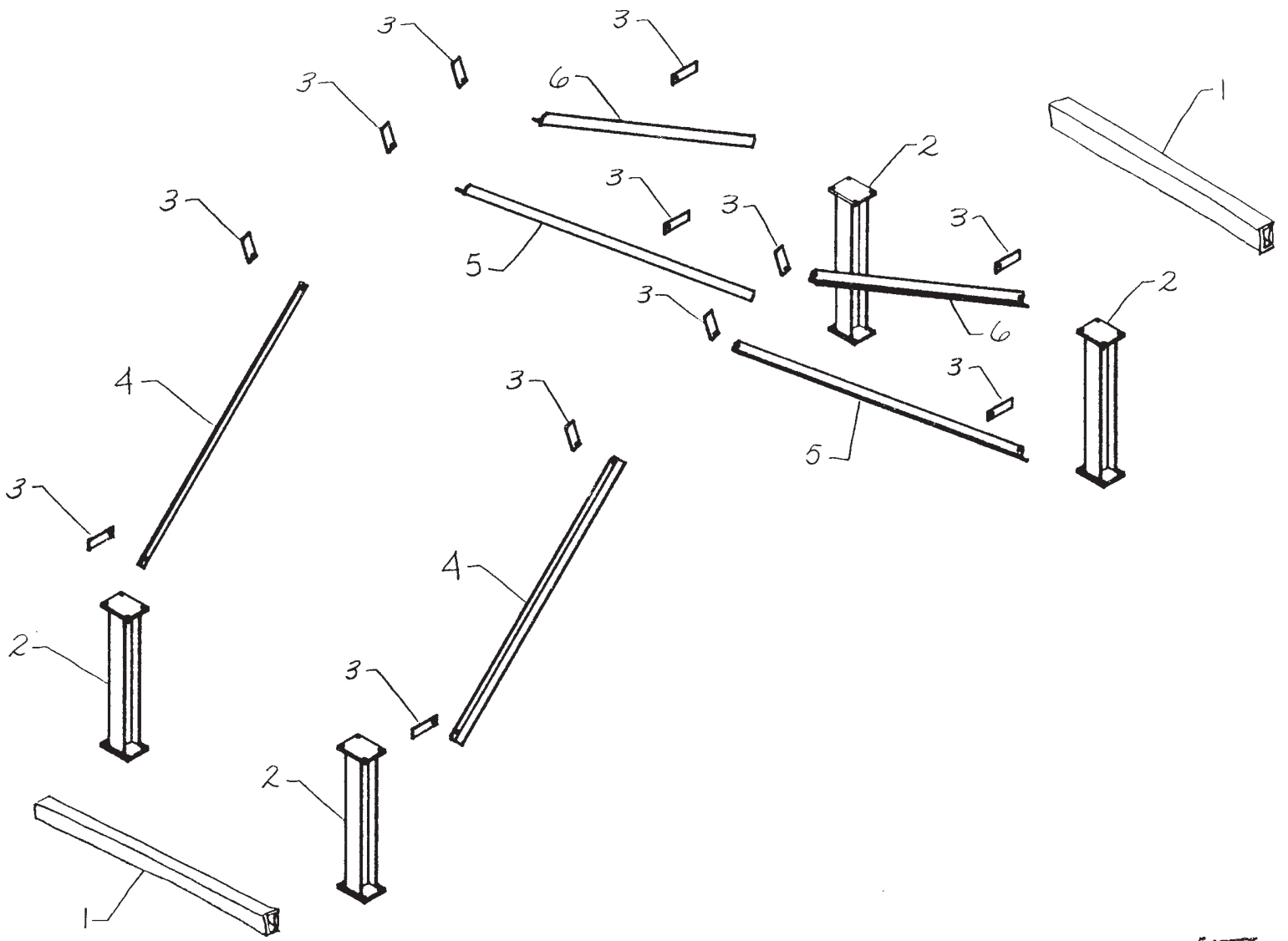
4. STAND SECTION

NO.	PART NO.	KEYWORD	DESCRIPTION	NO. REQ'D
1	91278	PAD	FOOT .....	OPT
2	91850	SHIM	TROMMEL; 3/8 PLATE .....	OPT
--	123224	SHIM	TROMMEL; 10 GA .....	OPT
--	123225	SHIM	TROMMEL; 7 GA .....	OPT
3	91789	END	9 ' STAND .....	3
4	91649	BRACE	CROSS .....	8
5	91849	GUSSET	TROMMEL STAND .....	4
6	91829	WEDGE	TROMMEL; T72 .....	2
7	91828	RAIL	T72X30SO STAND .....	2
8	91827	LEG	SHORT EXTENSION .....	2
9	91403	LEG	LONG EXTENSION .....	2
10	91861	BRACE	TROMMEL RAIL .....	1
11	123231	SHIELD	DRIP .....	1



5. CONVEYOR STAND SECTION

NO.	PART NO.	KEYWORD	DESCRIPTION	NO. REQ'D
1	91853	STAND	CONVEYOR; 4'-3" .....	1
2	123226	SHIELD	CONVEYOR BOTTOM .....	3
3	91852	STAND	CONVEYOR: 9'-6" .....	1
4	91851	STAND	CONVEYOR; 14'-6" .....	1
5	91857	TUBING	CONVEYOR GUSSET .....	2



6. 858 BULK FEEDER 4 FT EXTENSION AND BRACES

NO.	PART NO.	KEYWORD	DESCRIPTION	NO. REQ'D
1	90394A	CROSSBRACE	EXTENSION .....	2
2	91862	EXTENSION	4 FT LEG .....	4
3	90394G	MOUNT	BRACE ATTACHING .....	12
4	90436	BRACE	REAR LEG .....	2
5	91864	BRACE	FRONT LEG; LONG .....	2
6	91863	BRACE	FRONT LEG; SHORT .....	2

**⚠ CAUTION**

Do Not Operate this machine until you have read and understand the operators manual. If you do not have a copy of the operators manual contact your dealer or our factory immediately.

Amadas Industries  
1100 Holland Rd./Suffolk, VA 23434  
804-539-0231  
or  
1701 S. Slappey Blvd./Albany, GA  
31706 — 912-439-2217

8191

← 1



← 2

**⚠ WARNING**

Do Not Operate unless all Safety Shields & Guards are in place.

3547

← 3

7. DECAL SECTION

NO.	PART NO.	KEYWORD	DESCRIPTION	NO. REQ'D
1	8191	DECAL	WARNING: READ OPERATOR'S MANUAL .....	2
2	8421	DECAL	DANGER: PINCH POINT .....	8
3	8547	DECAL	DO NOT OPERATE - SHIELDS .....	6