

T72X20QT
STATIONARY TROMMEL
SCREEN

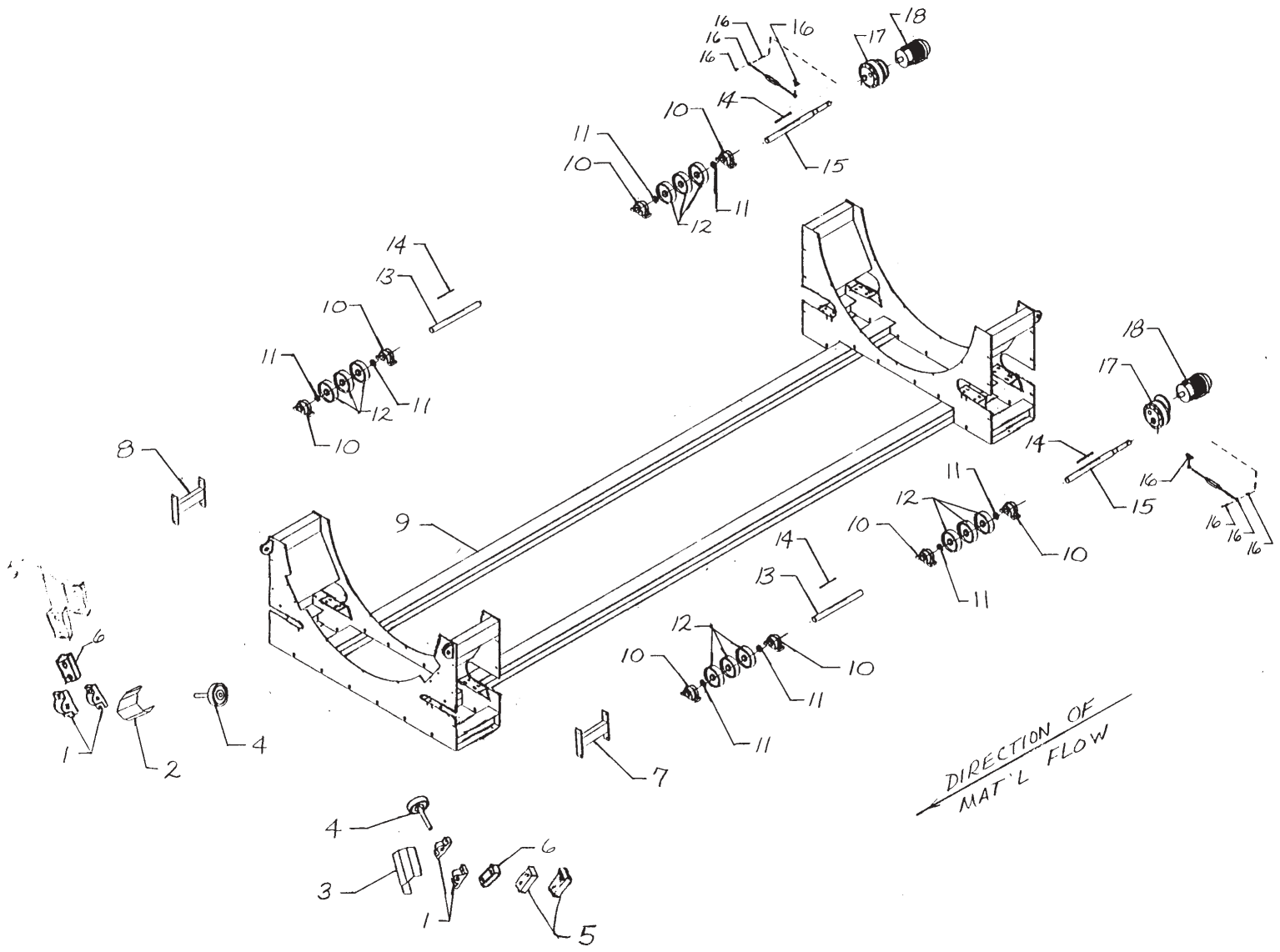
CAT098

OWNER'S NAME QUEENS TREE SURGERY - NASHVILLE, TN

DEALER'S NAME _____

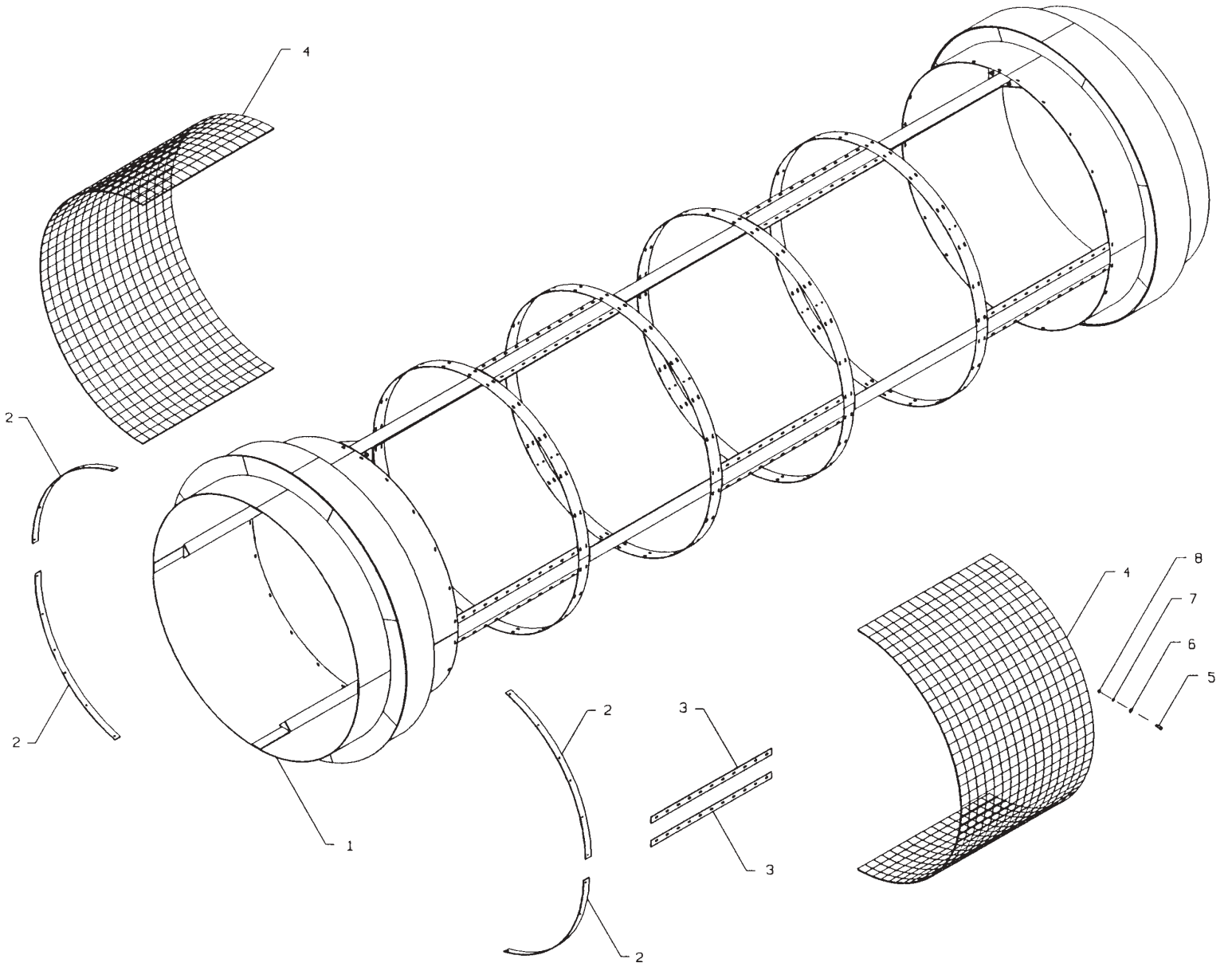
SERIAL NUMBER _____

DATE PURCHASED _____



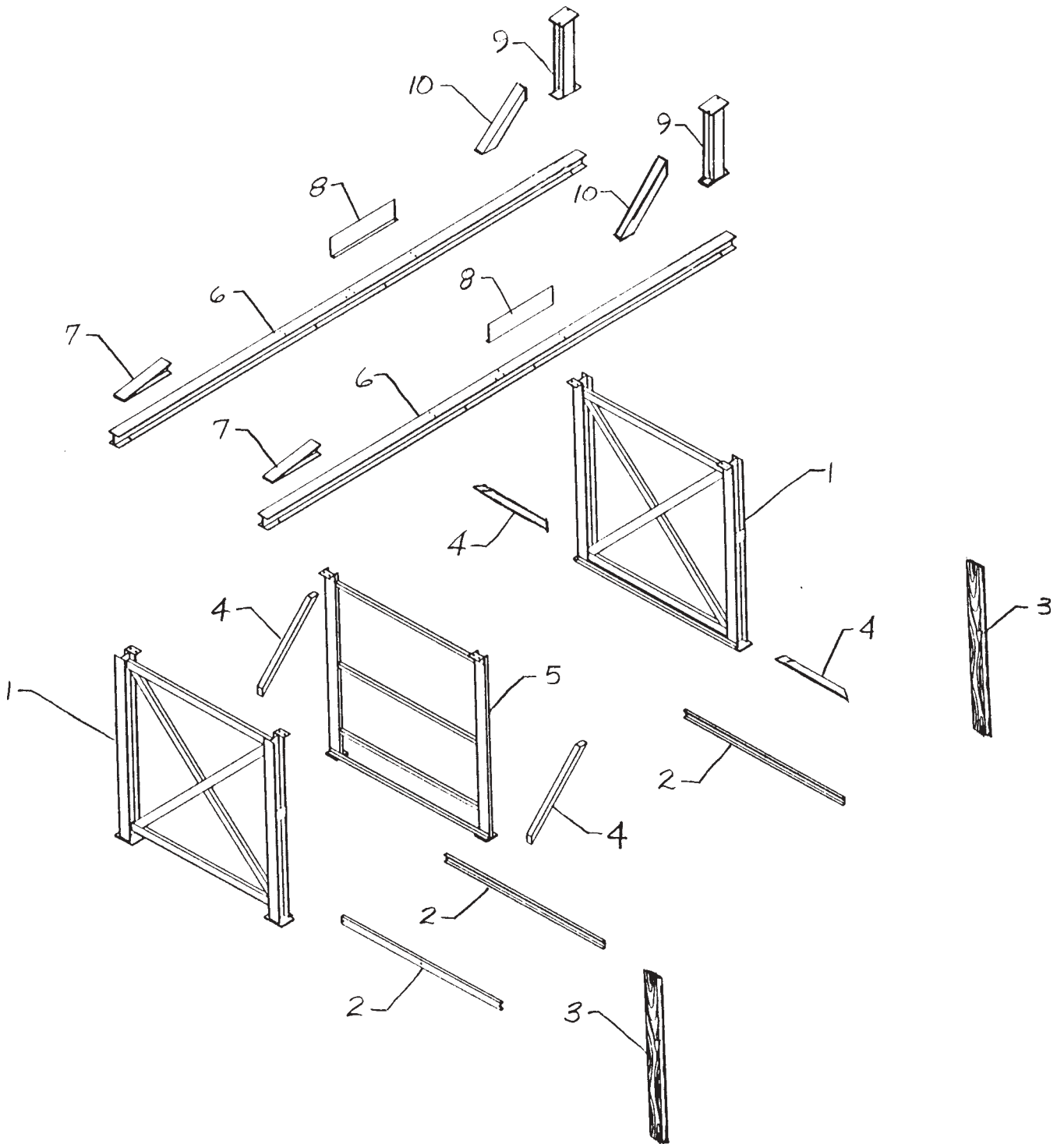
1. FRAME AND DRIVE SECTION

NO.	PART NO.	KEYWORD	DESCRIPTION	NO. REQ'D
1	3111	BEARING	2-3/16 PILLOW BLOCK	4
2	123205	SHIELD	RIGHT THRUST ROLLER	1
3	123206	SHIELD	LEFT THRUST ROLLER	1
4	60919	ROLLER	THRUST	2
5	20306	SPACER	THRUST ROLLER BEARING	4
6	20311	SPACER	THRUST ROLLER BEARING	2
7	91842	BRACE	DRUM SUPPORT; OUTLET; LEFT	1
8	91839	BRACE	DRUM SUPPORT; OUTLET; RIGHT	1
9	91874	FRAME	T72X20 TROMMEL	1
10	3151	BEARING	2.7/16 PILLOW BLOCK	8
11	3142	COLLAR	2-7/16 1 PIECE CLAMPING	8
12	8366	WHEEL	2.7/16 BORE W/KEYWAY	12
13	10482	SHAFT	ROLLER IDLER	2
14	1630	KEY	9.50LG. X 5/8 X 5/8	4
15	10490	SHAFT	DRIVE; DRUM ROLLER	2
16	11228	TURNBUCKLE	X239-76K REACTION (KIT)	2
17	11186	REDUCER	FLANGED SHAFT MOUNT HELICAL	2
18	15165	MOTOR	5H/3P/460/1800/184TC/TEFC	2



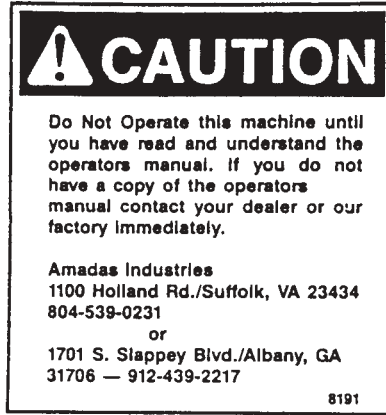
2. DRUM SECTION

NO.	PART NO.	KEYWORD	DESCRIPTION	NO. REQ'D
1	91873	DRUM	T72X20 TROMMEL; SYMMETRICAL	1
2	91901	CLAMP	SCREEN	16
			USE WITH SCREEN 13554	
3	91902	CLAMP	SCREEN; LATERAL	8
			USE WITH SCREEN 13554	
4	13552	SCREEN	5/8 OPENING; 37.563 INSIDE RADIUS	6
--	13554	SCREEN	1.3/4 OPENING; 37.563 INSIDE RADIUS	4
5	G126402	BOLT	3/8-16 1.1/4 CARRIAGE	500
6	122917	CLAMP	2.1/2 O.D. SCREEN	300
--	122918	CLAMP	2.1/2 O.D. SCREEN; NOTCHED	200
7	G120382	LOCKWASHER	3/8	500
8	G120377	NUT	3/8-16 USS	500

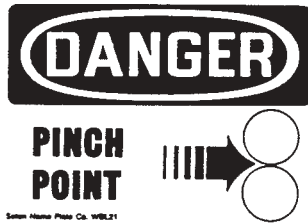


3. 8' STAND SECTION

NO.	PART NO.	KEYWORD	DESCRIPTION	NO. REQ'D
1	91876	END	STAND; 8'	2
2	91877	RETAINER	BOARD	3
3	13557	BOARD	MATERIAL BARRIER	36
4	91649	BRACE	CROSS	4
5	91879	FRAME	MATERIAL BARRIER	1
6	91878	RAIL	TROMMEL	2
7	91829	WEDGE	TROMMEL; T72	2
8	122899	MOUNT	T72 DECAL	2
9	91875	LEG	EXTENSION	2
10	91887	BRACE	LEG EXTENSION	2



← 1



← 2



← 3

4. DECAL SECTION

NO.	PART NO.	KEYWORD	DESCRIPTION	NO. REQ'D
1	8191	DECAL	WARNING: READ OPERATOR'S MANUAL	4
2	8421	DECAL	DANGER: PINCH POINT	4
3	8547	DECAL	DO NOT OPERATE - SHIELDS	2