
T72X40HC
STATIONARY TROMMEL

CAT102
1st Edition
September 15, 1992

OWNER'S NAME _____

DEALER'S NAME _____

SERIAL NUMBER _____

DATE PURCHASED _____

TABLE OF CONTENTS

T72X40HC STATIONARY TROMMEL

SECTION	PAGE
1. Inlet Frame Assembly.....	3
2. Outlet Frame Assembly.....	5
3. Inlet Drum Assembly.....	7
4. Outlet Drum Assembly.....	9
5. Brush Assembly.....	11
6. Stand Assembly.....	13
7. Decals.....	15
Numerical Parts Index.....	16
Warranty	

NOTE

The terms "Left" and "Right" used in the description of parts are determined by facing the direction of the flow of material through the machine.

Owners Name _____

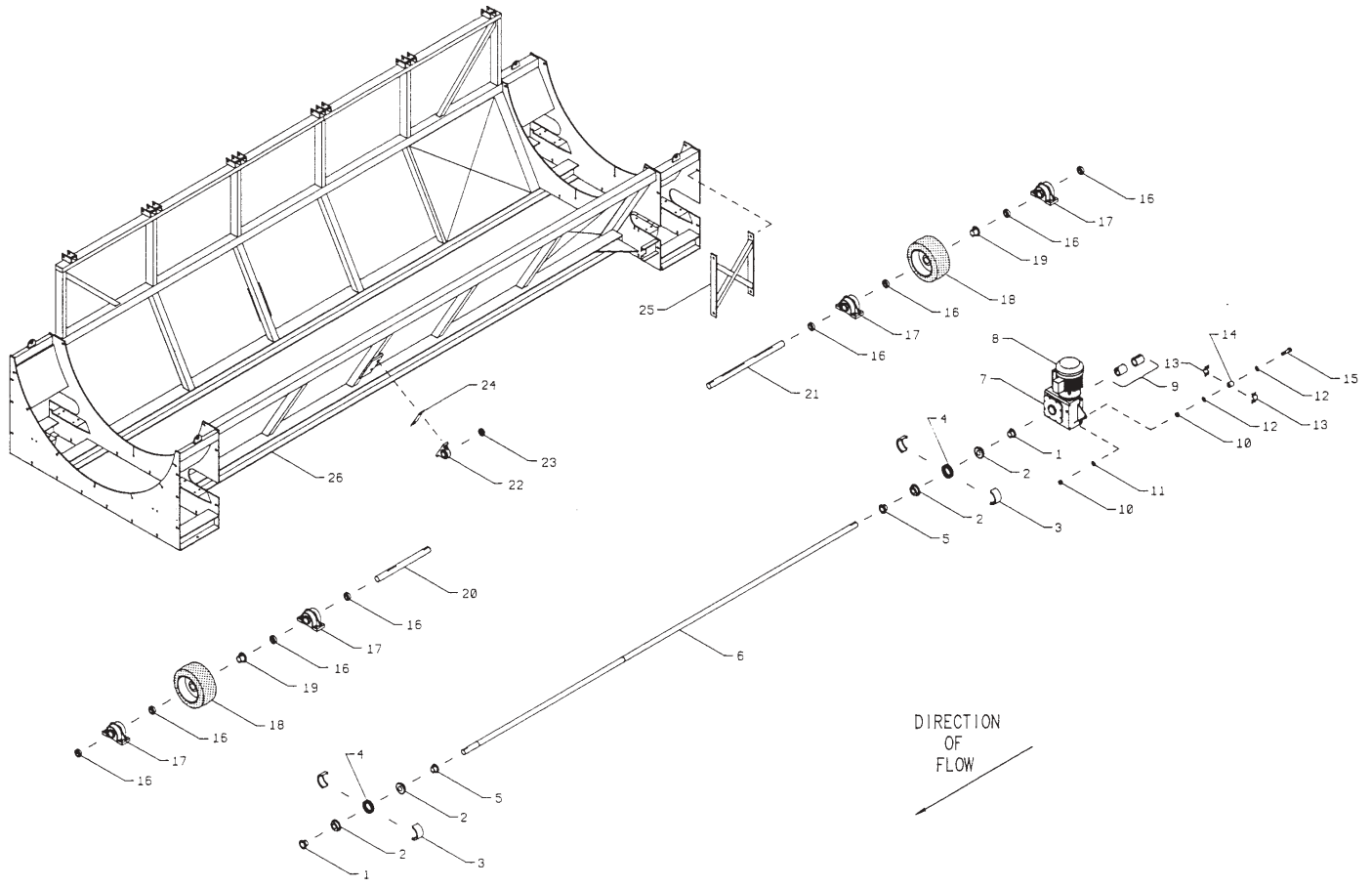
Address _____

Model No. _____ Serial No. _____ Date Purchased _____

1100 Holland Road Suffolk, VA 23434 U.S.A. (804) 539-0231
Telex - 494-6083 / Fax - (804) 934-3264

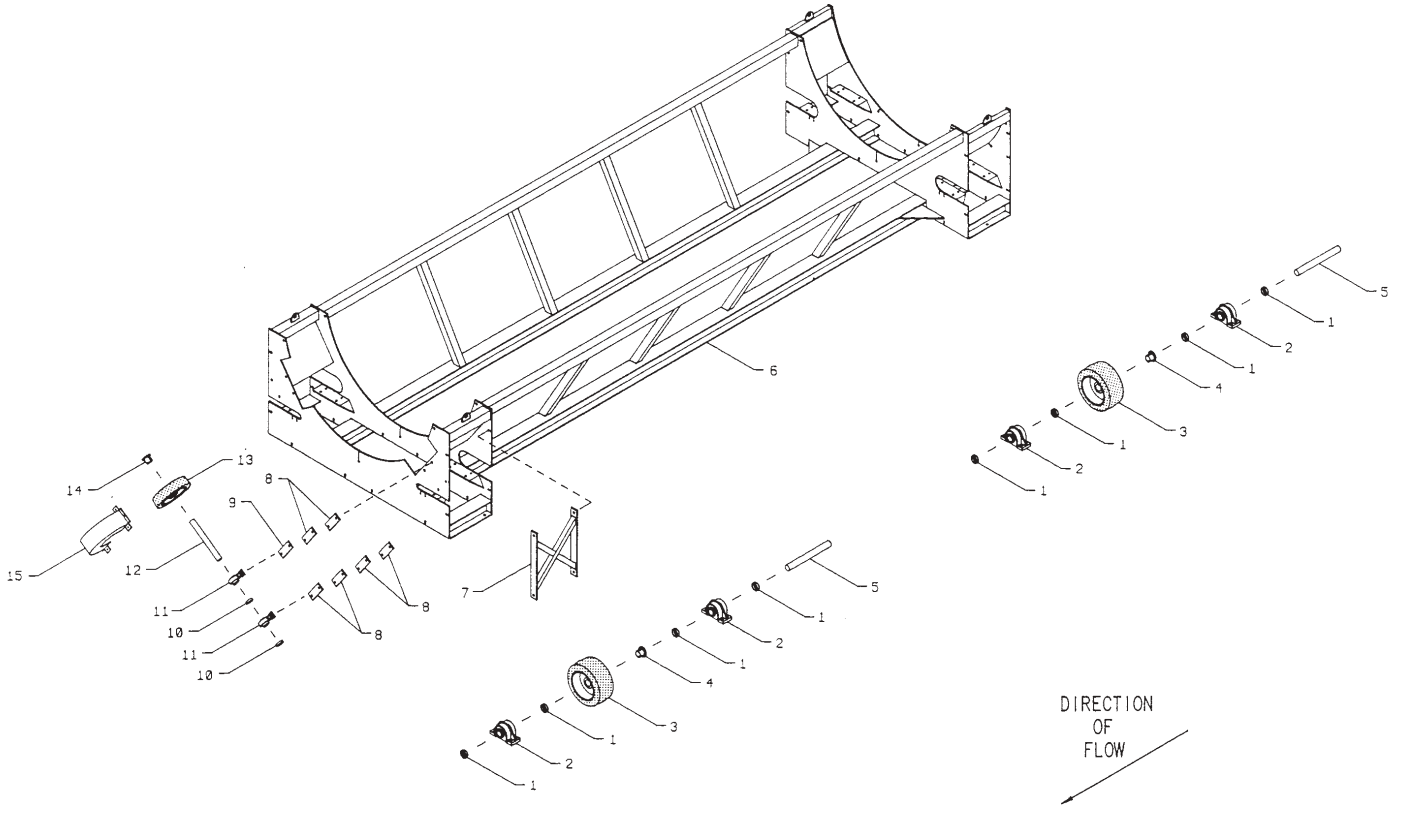
1701 S. Slappey Blvd./P.O. Box 3687 Albany, GA 31706
(912) 439-2217 / Fax (912) 439-9343

A M A D A S
INDUSTRIES



1. INLET FRAME ASSEMBLY

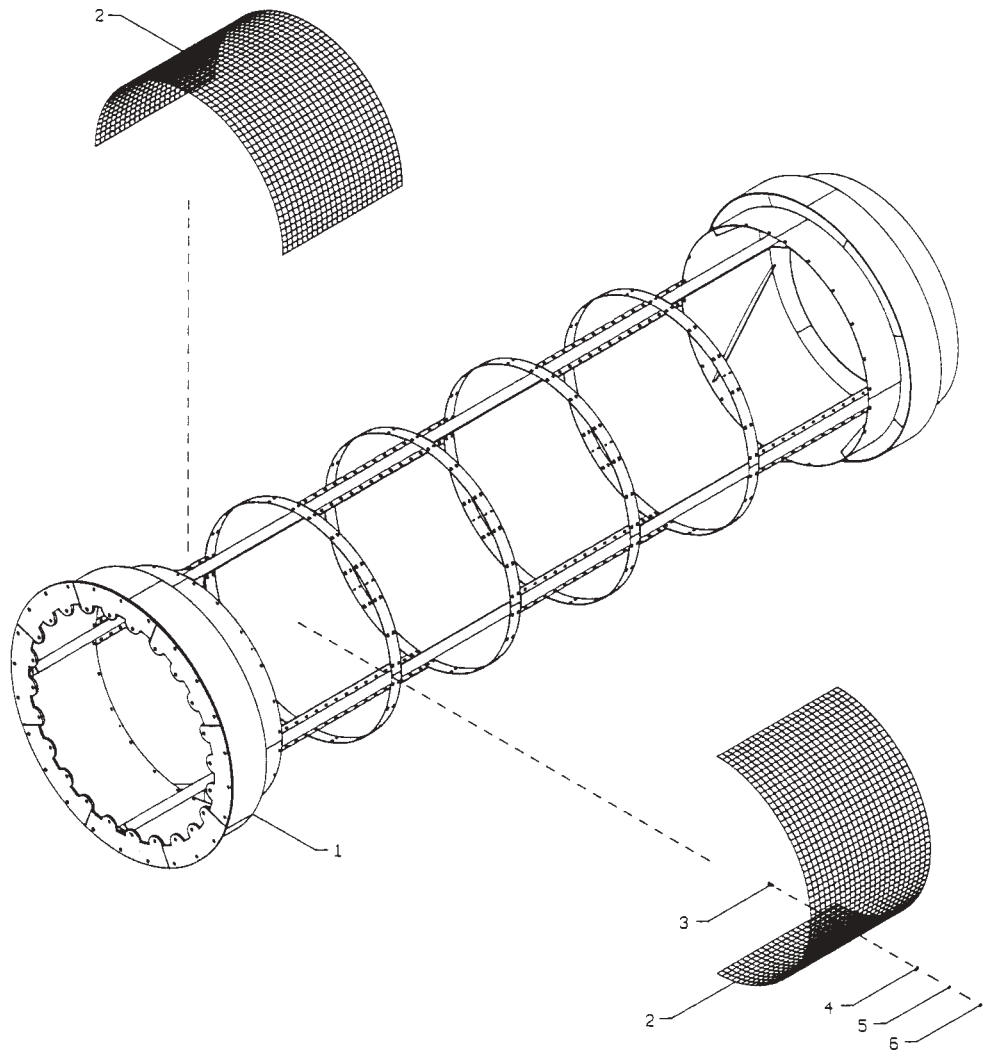
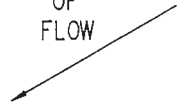
NO.	PART NO.	KEYWORD	DESCRIPTION	NO. REQ'D
1	5463	BUSHING	B2 2.7/16	4
2	5464	COUPLING	NO.60 CHAIN	8
3	5465	COVER	NO.60 CHAIN COUPLING	4
4	4498	CHAIN	C60-20 COUPLING ROLLER	4
5	5462	BUSHING	B2 2.3/16	4
6	10501	SHAFT	DRIVE CONNECTNG 220.688LG	2
7	11243	GEARBOX	30:1 C-FACE SHAFT MOUNTED	2
8	15823	MOTOR	7.5H/3P/460/1750/213TF	2
9	5467	BUSHING	GEARBOX 3.7/16 TO 2.7/16	2
10	G220086	NUT	3/4-10 USS	A/R
11	G131046	LOCKWASHER	3/4	A/R
12	G131017	WASHER	3/4 FLAT	A/R
13	6677	CLAMP	GROMMET	4
14	4283EP	GROMMET	EP688 50 DURO 2X2X3/4ID	2
15	G9428644	SCREW	3/4-10X4 USS GRADE 8 CAP	2
16	3125	COLLAR	2-7/16 ECCENTRIC LOCKING	A/R
17	3151	BEARING	2-7/16 PILLOW BLOCK W/COLLARS	8
18	S8451	WHEEL	18X8X12.1/8 TIRE & RIM ASSEMBLY	4
19	5461	BUSHING	Q2 2-7/16	4
20	10502	SHAFT	DRIVE OUTLET28.813X2.7/16	2
21	10503	SHAFT	DRIVE INLET 45.50LX2.7/16	2
22	3111	BEARING	2-3/16 PILLOW BLOCK W/COLLAR	2
23	3087	COLLAR	2-3/16 ECCENTRIC LOCKING	A/R
24	60949	SPACER	BEARING	6
25	92024	BRACE	CROSS	2
26	92014	FRAME	INLET; 20'	1



2. OUTLET FRAME ASSEMBLY

NO.	PART NO.	KEYWORD	DESCRIPTION	NO. REQ'D
1	3125	COLLAR	2-7/16 ECCENTRIC LOCKING	A/R
2	3151	BEARING	2-7/16 PILLOW BLOCK W/COLLARS	8
3	S8451	WHEEL	18X8X12.1/8 TIRE & RIM ASSEMBLY	4
4	5461	BUSHING	Q2 2-7/16	4
5	10514	SHAFT	ROLLER IDLER 22.0X2.7/16	4
6	92015	FRAME	OUTLET; 20'	1
7	92024	BRACE	CROSS	2
8	20306	SPACER	THRUST ROLLER BEARING	12
9	20311	SPACER	THRUST ROLLER BEARING; 3/8"	2
10	3087	COLLAR	2-3/16 ECCENTRIC LOCKING	A/R
11	3192	BEARING	2-3/16 PB; NON-RELUB.	4
12	60919A	SHAFT	THRUST ROLLER;18.0 LG	2
13	S8455	WHEEL	18X4X12.1/8 TIRE & RIM ASSEMBLY	2
14	5691	BUSHING	Q1 - 2-3/16	2
15	123284	SHIELD	THRUST ROLLER	2

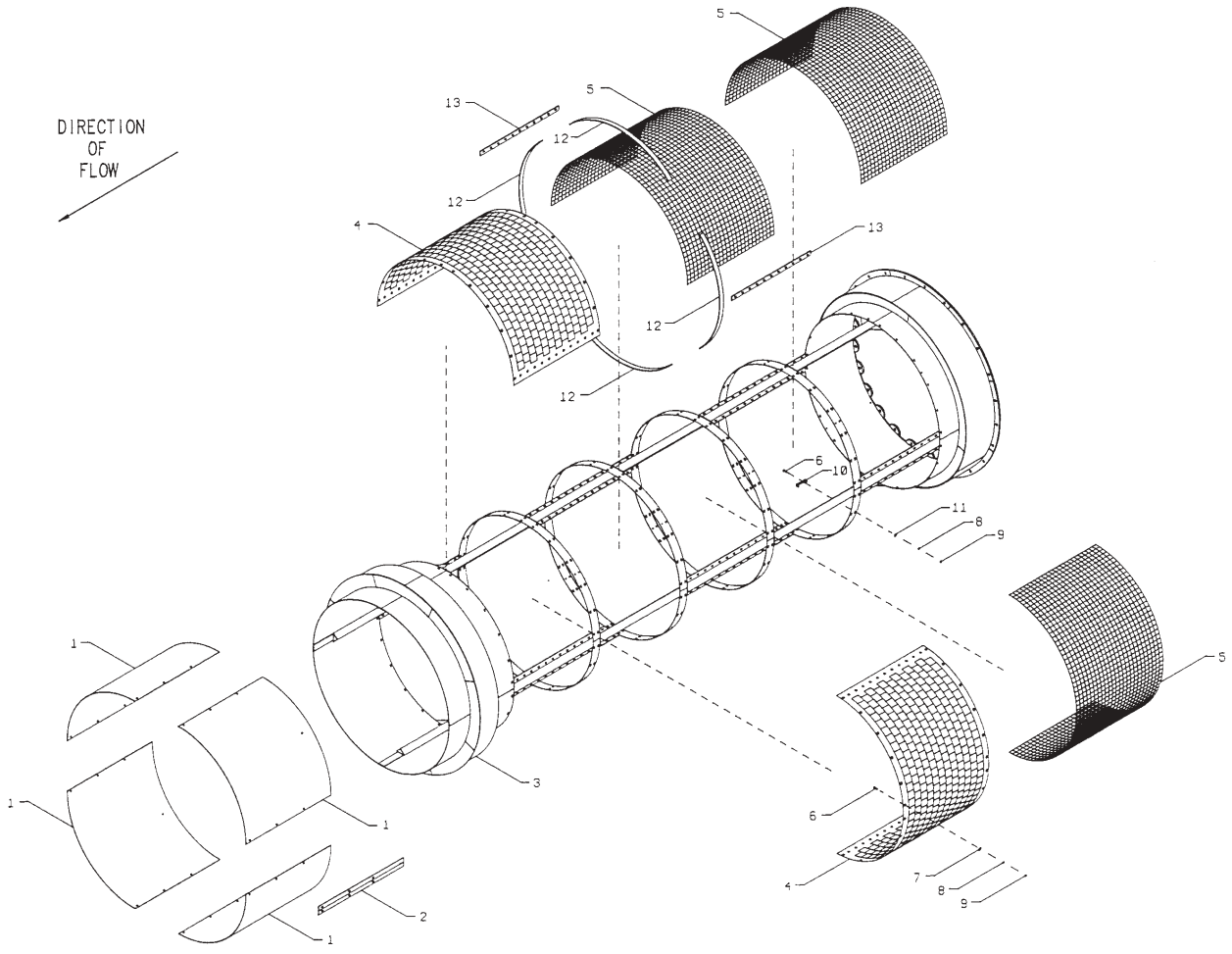
DIRECTION
OF
FLOW



3. INLET DRUM ASSEMBLY

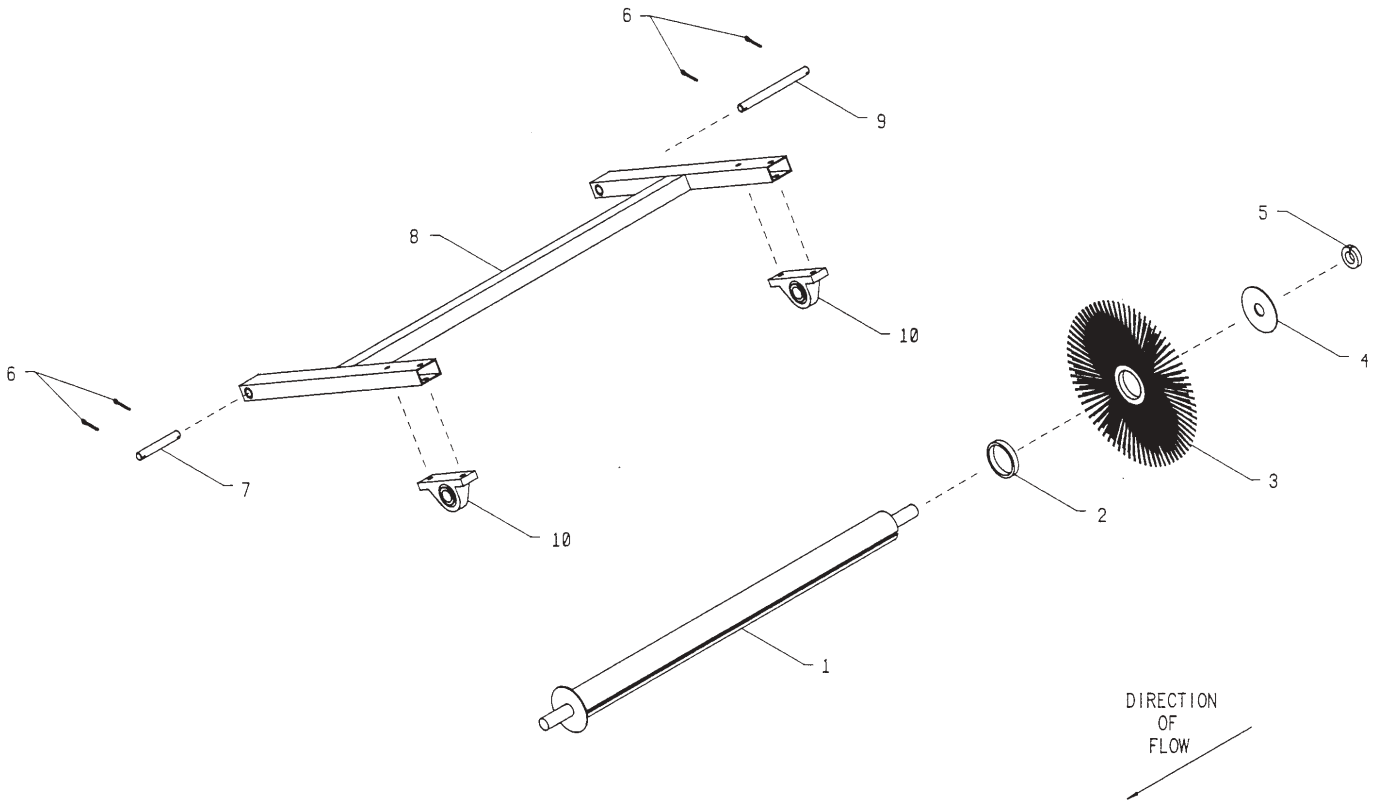
NO.	PART NO.	KEYWORD	DESCRIPTION	NO. REQ'D
1	91991	DRUM	INLET	1
2	13462	SCREEN	1/2" OPENING; ROLLED	10
3	G126402	BOLT	3/8-16X1-1/4 CARRIAGE	460
4	122711	WASHER	SCREEN;1.75 OD X .406 ID	460
5	G120382	LOCKWASHER	3/8	460
6	G120377	NUT	460	460

DIRECTION
OF
FLOW
↙



4. OUTLET DRUM ASSEMBLY

NO.	PART NO.	KEYWORD	DESCRIPTION	NO. REQ'D
1	123281	EXTENSION	DRUM	4
2	92026	BAND	EXTENSION	4
3	91992	DRUM	OUTLET	1
4	13581	SCREEN	3"SQ.HOLES; 37.9/16 IR	4
5	13556	SCREEN	1.1/4 OPENING; 37.9/16 IR	6
6	G126411	BOLT	3/8-16X1-1/2 CARRIAGE	460
7	122711	WASHER	1.3/4 OD X .406 ID	160
--	123287	WASHER	1.3/4 OD X .406 ID; CLIPPED	24
8	G120382	LOCKWASHER	3/8	460
9	G120377	NUT	3/8-16 USS	460
10	60950	BRACKET	SCREEN ATACHING	32
11	G120394	WASHER	3/8 FLAT	A/R
12	91446	CLAMP	SCREEN; 51.0 X 1.0 X 1/4	24
13	91445	CLAMP	SCREEN; LATERAL; 43.750LG	12



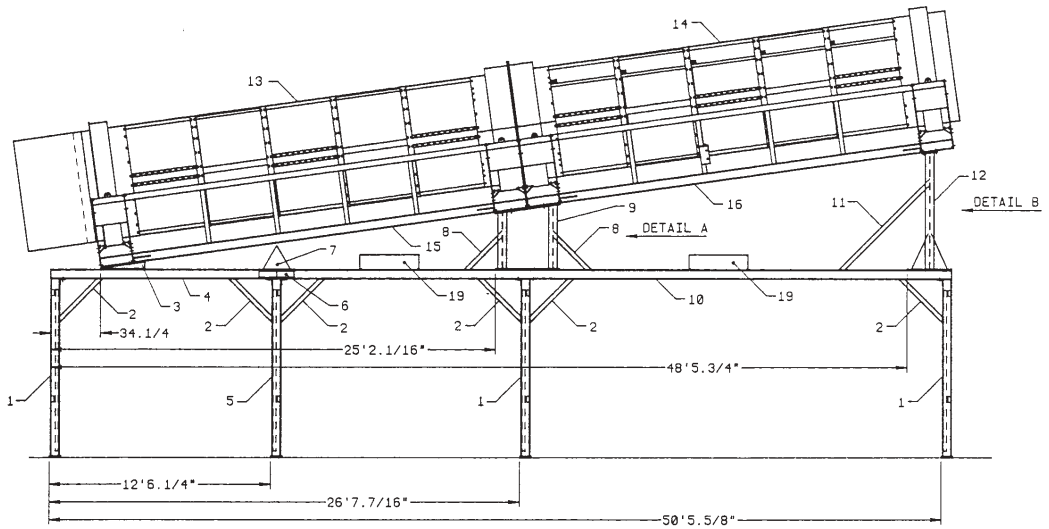
5. BRUSH ASSEMBLY

NO.	PART NO.	KEYWORD	DESCRIPTION	NO. REQ'D
--	7329	KIT	BRUSH, OUTER	
--	7331	KIT	BRUSH; INNER	
NOTE: THE ABOVE KITS EACH INCLUDE ALL				
ITEMS LISTED UNLESS OTHERWISE				
NOTED.				
1	5435	ROLLER	BRUSH	1
2	2843	SPACER	CLEANING BRUSH	36
3	4497	BRUSH	2-7/8X16 WAFER WHEEL	35
4	122768	CAP	BRUSH ROLLER	1
5	3167	COLLAR	1.3/16 DIA. 1-PIECE CLAMP	1
6	2200	PIN	COTTER 3/16X1-1/4	4
7	10391	ROD	BRUSH ARM MOUNT.....7329	1
8	91242	ARM	BRUSH	1
9	10392	ROD	BRUSH ARM MOUNT.....7329	1
--	10392	ROD	BRUSH ARM MOUNT.....7331	2
10	3002	BEARING	1-3/16 RAK PILLOW BLOCK	2

0130

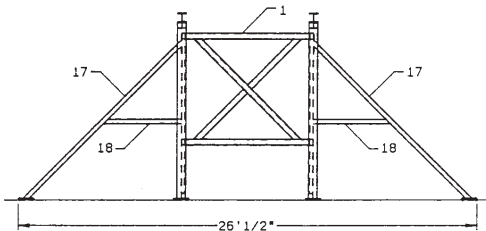
BILL OF MATERIAL			
ITEM	PART NUMBER	QTY.	UOM
1	91329	3	EA
2	91978	12	EA
3	91829	2	EA
4	91983	2	EA
5	91972	1	EA
6	91982	4	EA
7	92025	1	EA
8	91981	4	EA
9	91976	2	EA
10	91984	2	EA
11	91980	2	EA
12	91977	2	EA
13	91992	1	EA
14	91991	1	EA
15	92015	1	EA
16	92014	1	EA
17	91975	6	EA
18	91979	6	EA
19	122899	4	EA
20	92027	2	EA

NOTE: APPROX. WEIGHT OF ITEMS #13, 14, 15, & 16 IS 24,000 LBS.

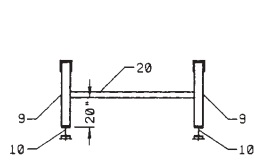


SIDE ELEVATION

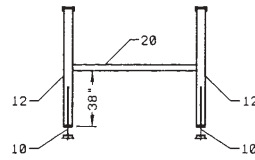
(KNEE BRACING NOT SHOWN. SEE END ELEVATION)



END ELEVATION
(STAND ONLY)



DETAIL A
(#8 DIAGONAL BRACE NOT SHOWN)

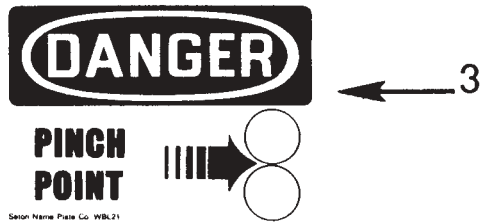
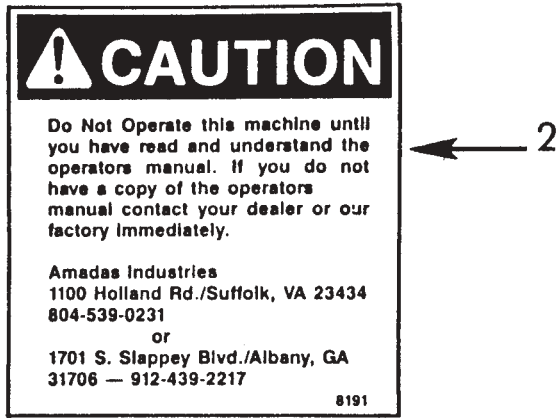
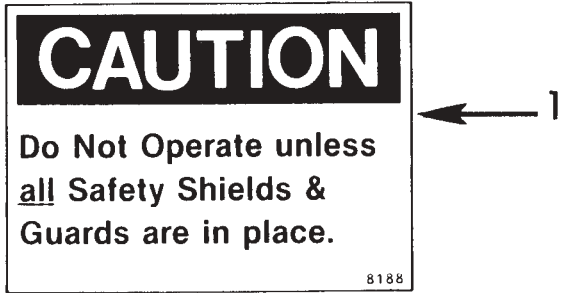


DETAIL B

AMADAS INDUSTRIES			
TOLERANCE ± .50" OR .031" UNLESS OTHERWISE NOTED			
SCALE	REVISIONS	BY	DATE
1/4" = 1'			
DATE			
9/14/92			
DRN			
CHB			
REV			
TITLE		NO	
T72X40HC Side & End Elevations			0130

6. STAND ASSEMBLY

NO.	PART NO.	KEYWORD	DESCRIPTION	NO. REQ'D
1	91329	END	STAND	3
2	91978	BRACE	CROSS 42.0LGX3X3X3/16	12
3	91829	WEDGE	TROMMEL; T72	2
4	91983	I-BEAM	RAIL; SHORT 12'9.375"LGX6	2
5	91972	STAND	CENTER; 10 FT	1
6	91982	FLAT	LAP PLATE 24.0LGX4X3/8	4
7	92025	DIVIDER	SECTION	1
8	91981	BRACE	CENTER 37.063LGX3X3X3/16	4
9	91976	LEG	CENTER SUPPORT	2
10	91984	I-BEAM	RAIL;LONG 38'2.5"LGX6	2
11	91980	BRACE	FRONT 87.250LGX3X3X3/16	2
12	91977	STAND	EXTENSION	2
13	91992	DRUM	OUTLET	1
14	91991	DRUM	INLET	1
15	92015	FRAME	OUTLET; 20'	1
16	92014	FRAME	INLET; 20'	1
17	91975	BRACE	KNEE	6
18	91979	BRACE	SIDE 52.750LGX3X3X3/16	6
19	122899	MOUNT	T72 DECAL; 40.0X12	4
20	92027	BRACE	CROSS 83.750LGX4X4X3/16	2



7. DECALS

NO.	PART NO.	KEYWORD	DESCRIPTION	NO. REQ'D
1	8188	DECAL	CAUTION: DO NOT OPERATE...SHIELDS	2
2	8191	DECAL	CAUTION: READ OP.MANUAL	8
3	8421	DECAL	DANGER: PINCH POINT	10

NOTE: THE FOLLOWING DECALS ARE USED BUT
ARE NOT SHOWN.

--	8398	DECAL	AMADAS;36" GRAY	2
--	8991	DECAL	MAGNUM; SMALL	2
--	8449	DECAL	T72X40	2

NUMERICAL PARTS INDEX

PART NO.	PAGE	PART NO.	PAGE	PART NO.	PAGE
G120377	7,09	8188	15		
G120382	7,09	8191	15		
G120394	9	8398	15		
G126402	7	8421	15		
G126411	9	8449	15		
G131017	3	8991	15		
G131046	3	91242	11		
G220086	3	91329	13		
G9428644	3	91445	9		
S8451	3,05	91446	9		
S8455	5	91829	13		
10391	11	91972	13		
10392	11	91975	13		
10501	3	91976	13		
10502	3	91977	13		
10503	3	91978	13		
10514	5	91979	13		
11243	3	91980	13		
122711	7,09	91981	13		
122768	11	91982	13		
122899	13	91983	13		
123281	9	91984	13		
123284	5	91991	7,13		
123287	9	91992	9,13		
13462	7	92014	3,13		
13556	9	92015	5,13		
13581	9	92024	3,05		
15823	3	92025	13		
20306	5	92026	9		
20311	5	92027	13		
2200	11				
2843	11				
3002	11				
3087	3,05				
3111	3				
3125	3,05				
3151	3,05				
3167	11				
3192	5				
4283EP	3				
4497	11				
4498	3				
5435	11				
5461	3,05				
5462	3				
5463	3				
5464	3				
5465	3				
5467	3				
5691	5				
60919A	5				
60949	3				
60950	9				
6677	3				
7329	11				
7331	11				

WARRANTY

For AMADAS INDUSTRIES Industrial Machinery

A. General Provisions

AMADAS INDUSTRIES ("Company") warrants that each machine manufactured by it and sold under its trademark shall be free from defects in material and workmanship. The company's sole obligation under this warranty shall be limited to making good, F.O.B. Company factory, any part of its product which under normal and proper use and maintenance proves defective in material and workmanship within six months after delivery to the Buyer provided that notice of such defect and satisfactory proof thereof is promptly given by the Buyer to the Company, with transportation charges prepaid, and Company's examination proves such part to have been defective.

This warranty does not apply in respect to damage to any product or accessory or attachment thereof caused by overloading or other misuse, neglect or accident nor does this warranty apply to any product, or accessory or attachment thereof which shall have been repaired or altered by other than the Company which, in the sole judgement of the Company affects the performance, stability or purpose for which it was manufactured.

With respect to tires, engines, or other trade accessories, the Company makes no warranty whatsoever and the buyer shall rely solely upon the existing warranties, if any, of the respective manufacturers thereof.

B. Unapproved Service or Modification

All obligations of AMADAS INDUSTRIES under this warranty are terminated if the machinery is modified or altered in ways not approved by AMADAS INDUSTRIES

C. Owner's Responsibilities

- a. Read the operator's manual before operating the machinery.
- b. Perform all necessary maintenance as described in the operators's manual.
- c. Contact AMADAS INDUSTRIES promptly on any warranty claim.
- d. Sign the AMADAS INDUSTRIES machine delivery form and return promptly as this validates the warranty.

D. Disclaimer

There are no warranties that extend beyond the description here. **ANY WARRANTIES OF MERCHANTABILITY AND FITNESS FOR ANY PARTICULAR PURPOSE ARE SPECIFICALLY DISCLAIMED AS ARE ALL OTHER REPRESENTATIONS TO THE PURCHASER.** AMADAS INDUSTRIES specifically excludes any liability on behalf of the Company for any incidental or consequential damages including, but not limited to loss of profits, rental of substitute equipment, or other commercial losses. AMADAS INDUSTRIES shall not be responsible for expenses or inconvenience that you might incur or experience with respect to any AMADAS INDUSTRIES Industrial Machinery, nor shall AMADAS INDUSTRIES be liable for defects, damage, or failure caused by improper storage, unreasonable use, or abuse, or accident, including the failure to provide reasonable and specified maintenance. This warranty applies only to the original purchaser of the machinery. Because some states do not allow the exclusion of limitation of incidental or consequential damages, the above limitation may not apply to you. This warranty gives you specific legal rights. You may also have other rights, which vary from state to state. Where there is a conflict between a provision of this warranty and the provision of any state, the state legislation prevails.

A M A D A S
INDUSTRIES