

PARTS CATALOG

FOR THE T72X20P1

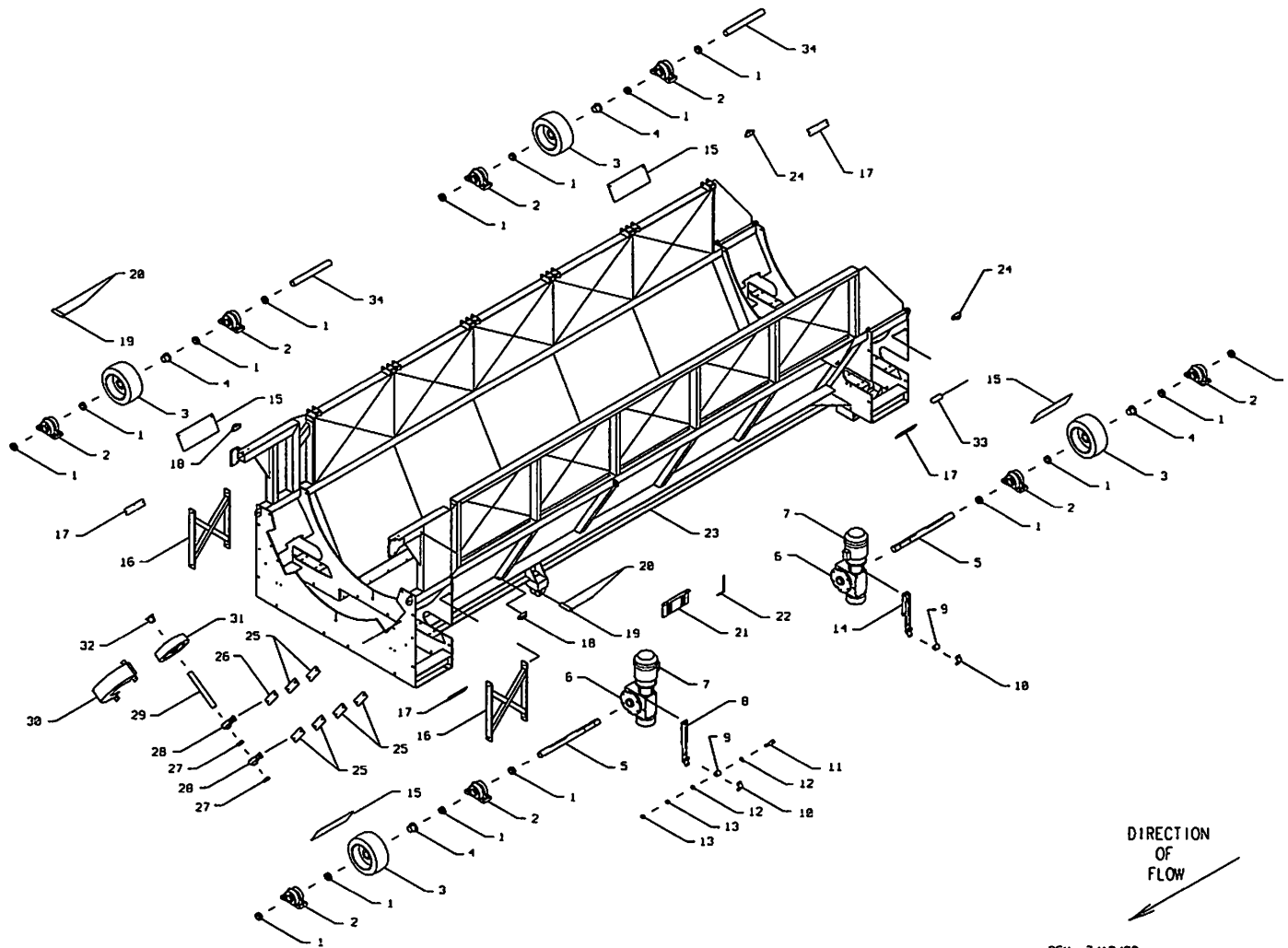
Catalog Summary Report  
Section Listing

Machine: T72X20P1  
Add Date: 12/01/92

Description: T72X20P1  
Edition: 1 Part No. CAT105

Section	Description
1	T72X20P1 TROMMEL FRAME ASSEMBLY - Pg. 3
2	DRUM SECTION - Pg. 5
3	T72X20P1 TROMMEL BRUSH ASSEMBLIES - Pg. 7 & 7b
4	COLLECTION CONVEYOR FRAME & DRIVE ASSEMBLY - Pg. 9
5	COLLECTION CONVEYOR DOOR SECTION - Pg. 11
6	COLLECTION CONVEYOR POLYETHYLENE LINER - Pg. 13
7	256X60-1 FORWARD ROTARY CONVEYOR - Pg. 15
8	256X60-2 REAR ROTARY CONVEYOR - Pg. 17
9	#3 STACKING CONVEYOR OUTER FRAME - Pg. 19
10	#3 STACKING CONVEYOR INNER SECTION - Pg. 21
11	#3 STACKING CONVEYOR REACTION FRAME - Pg. 25
12	#3 STACKING CONVEYOR LIFT ASSEMBLY - Pg. 27
13	860X14PT FRAME AND PANELS - Pg. 29
14	860X14PT DRIVE SECTION - Pg. 31
15	860X14PT POLY. LINER/BOTTOM BOARDS/GRIZZLY - Pg. 33
16	INFEEED CONVEYOR SECTION - Pg. 35
17	INFEEED CONVEYOR HOPPER/AGITATOR - Pg. 37
18/19	DOORS/SHIELDS; GENSET SECTION - Pg. 41
<del>19</del>	<del>DOORS/SHIELDS; GENSET SECTION</del>
20	TRAILER SECTION - Pg. 43
21	STACKING CONVEYOR FRAME AND DRIVE SECTION - Pg. 45
22	STACKING CONVEYOR POLYETHYLENE LINING - Pg. 47
23	STACKING CONVEYOR PIVOT AND LIFT SECTION - Pg. 49
24	DECAL SECTION - Pg. 51

\*\*\* End Of Report \*\*\*



T72X20P1 FRAME SECTION

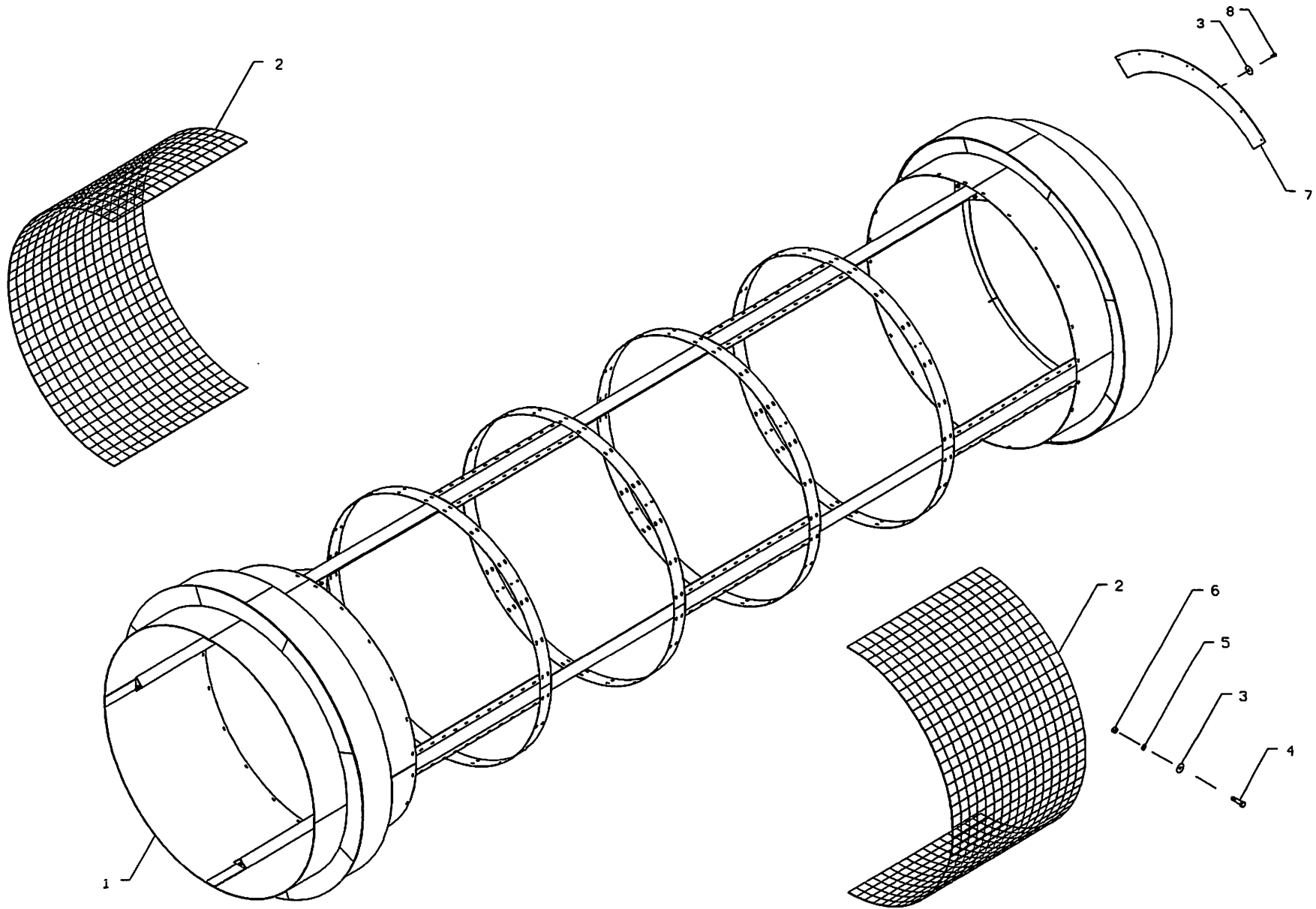
SAVED AS T7220P-

SCALE: .03=1

REV. 7/12/93  
 REV. 1/28/93  
 10/03/92 CHB

MCHN	SECT	SEQ1	SEQ2	ITEM	KEYWORD	DESC
T72X20P1	1	1		3125	COLLAR	2-7/16 ECCENTRIC LOCKING
T72X20P1	1	2		3151	BEARING	2.7/16 PILLOW BLOCK
T72X20P1	1	3		S8451	WHEEL	18X8X12.1/8 TIRE & RIM ASSEMBLY
T72X20P1	1	4		5461	BUSHING	Q2 2-7/16
T72X20P1	1	5		10520	SHAFT	DRIVE; 2.7/16 DIA.
T72X20P1	1	6		11250	GEARBOX	30:1 C-FACE; SHAFT MOUNT
T72X20P1	1	6 A		11262	GEARBOX	20:1 7.1/2 HP
T72X20P1	1	6 B		7462	KIT	450 FAN (USE WITH 11262)
T72X20P1	1	7		15165	MOTOR	5H/3P/460/1800/184TC/TEFC
T72X20P1	1	7 A		15823	MOTOR	7.5H/3P/460/1750/213TTEFC
T72X20P1	1	8		60989	ARM	REACTION; REAR
T72X20P1	1	9		4283EP	GROMMET	EP688 50 DURO 2X2X3/4ID
T72X20P1	1	10		6677	CLAMP	GROMMET
T72X20P1	1	11		G9428644	SCREW	3/4-10X4 USS GRADE 8 CAP
T72X20P1	1	12		G131017	WASHER	3/4 SAE FLAT
T72X20P1	1	13		G220086	NUT	3/4-10 USS
T72X20P1	1	14		60988	ARM	REACTION; FORWARD
T72X20P1	1	15		123340	SHIELD	WHEEL; LOWER
T72X20P1	1	16		92024	BRACE	CROSS
T72X20P1	1	17		123525	COVER	DRUM WHEEL NOTCH
T72X20P1	1	18		15600	LIGHT	122R ARMORED RED MARKER
T72X20P1	1	19		20113	PIN	PIVOT
T72X20P1	1	20		2244	PIN	ROLL 1/4X2-1/2
T72X20P1	1	21		123454	MOUNT	PROXIMITY INDICATOR
T72X20P1	1	22		123455	LEG	PROXIMITY SWITCH
T72X20P1	1	23		92051	FRAME	T72X20 PORTABLE TROMMEL
T72X20P1	1	24		15599	LIGHT	122Y ARMORED YELLOW MARKER
T72X20P1	1	25		20306	SPACER	THRUST ROLLER BEARING
T72X20P1	1	26		20311	SPACER	THRUST ROLLER BEARING; 3/8"
T72X20P1	1	27		3087	COLLAR	2-3/16 ECCENTRIC LOCKING
T72X20P1	1	28		3192	BEARING	2-3/16 PILLOW BLOCK, NON-RELUB. W/COLLAR
T72X20P1	1	29		60919A	SHAFT	THRUST ROLLER;18.0 LG
T72X20P1	1	30		123326	SHIELD	THRUST ROLLER
T72X20P1	1	30 A		123696	SHIELD	THRUST ROLLER (#3 PORTABLE TROMMEL ONLY)
T72X20P1	1	31		S8455	WHEEL	18X4X12.1/8 TIRE & RIM ASSEMBLY
T72X20P1	1	32		5691	BUSHING	Q1 - 2-3/16
T72X20P1	1	33		92134	STOP	DRUM
T72X20P1	1	34		10514	SHAFT	ROLLER IDLER; 2.7/16
T72X20P1	2	1		92084	DRUM	TROMMEL; T72X20
T72X20P1	2	2		13540	SCREEN	1/4" OPENING; 37.9/16 IR
T72X20P1	2	2 A		13464	SCREEN	3/8" OPENING; 37.9/16 IR
T72X20P1	2	2 B		13461	SCREEN	7/16" OPENING; 37.9/16 IR
T72X20P1	2	2 C		13462	SCREEN	1/2" OPENING; 37.9/16 IR

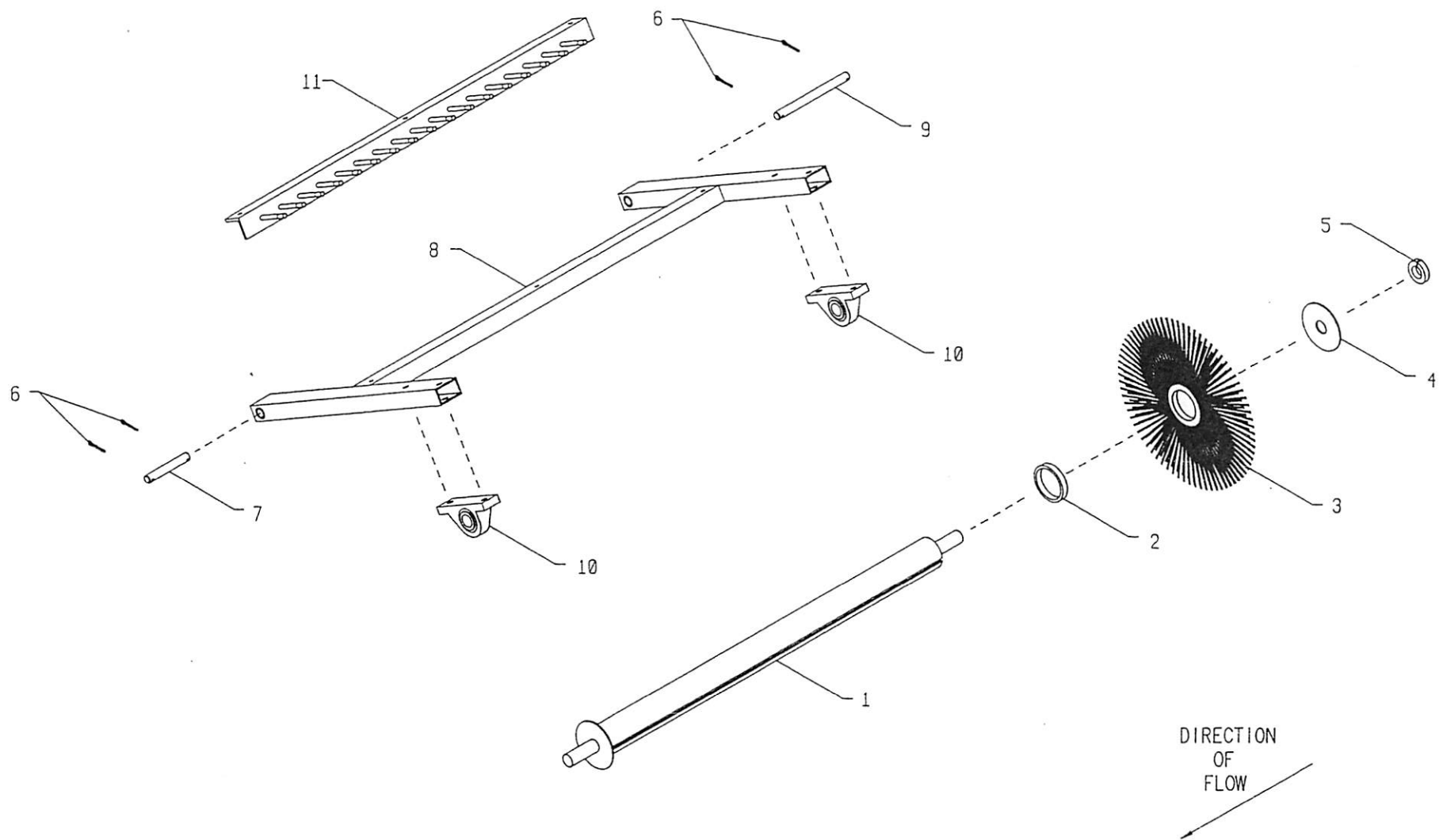
FRAME ASSY  
SECTION 1



2. DRUM SECTION

NO.	PART NO.	KEYWORD	DESCRIPTION	NO. REQ'D
1	92084	DRUM	TROMMEL; T72X20 .....	1
2	13540	SCREEN	1/4" OPENING; 37.9/16 IR .....	A/R
--	13464	SCREEN	3/8" OPENING; 37.9/16 IR .....	A/R
--	13461	SCREEN	7/16" OPENING; 37.9/16 IR .....	A/R
--	13462	SCREEN	1/2" OPENING; 37.9/16 IR .....	A/R
--	13552	SCREEN	5/8 OPENING; 37.9/16 IR .....	A/R
--	13459	SCREEN	3/4" OPENING; 37.9/16 IR .....	A/R
--	13463	SCREEN	1" OPENING; 37.9/16 IR .....	A/R
--	13556	SCREEN	1.1/4" OPENING; 37.9/16 IR .....	A/R
--	13579	SCREEN	1.1/4 DIA.;37.9/16 I.R. ....	A/R
--	13554	SCREEN	1.3/4 OPENING; 37.9/16 IR .....	A/R
--	13458	SCREEN	2" OPENING; 37.9/16 IR .....	A/R
--	13475	SCREEN	2" OPENING; 37.9/16 IR - EXTRA LONG ....	A/R
--	13581	SCREEN	3" SQUARE; 37.9/16 IR .....	A/R
--	91610	SCREEN	3.1/2 OPENING WITH FRAME .....	A/R
			ANY SCREEN UNDER 1" REQUIRES THE FOLLOW- ING FASTENERS.	
3	122711	WASHER	SCREEN CLAMP .....	508
4	G126402	BOLT	3/8-16X1-1/4 CARRIAGE .....	460
5	G120382	LOCKWASHER	3/8 .....	460
6	G120377	NUT	3/8-16 USS .....	460
			ANY SCREEN 1" OR OVER WITH THE EXCEPTION OF SPECIALTY SCREENS REQUIRES THE FOLLOW -ING FASTENERS.	
--	91446	CLAMP	SCREEN; CENTERED .....	A/R
--	91901	CLAMP	SCREEN; OFFSET .....	A/R
--	91902	CLAMP	SCREEN - LATERAL; 3/16 THICK .....	A/R
--	91445	CLAMP	SCREEN - LATERAL; 1/4 THICK .....	A/R
7	4653	FLAP	DRUM INLET .....	4
8	G180079T	SCREW	5/16-18X1 SELF-TAPPING WASHERHEAD .....	48

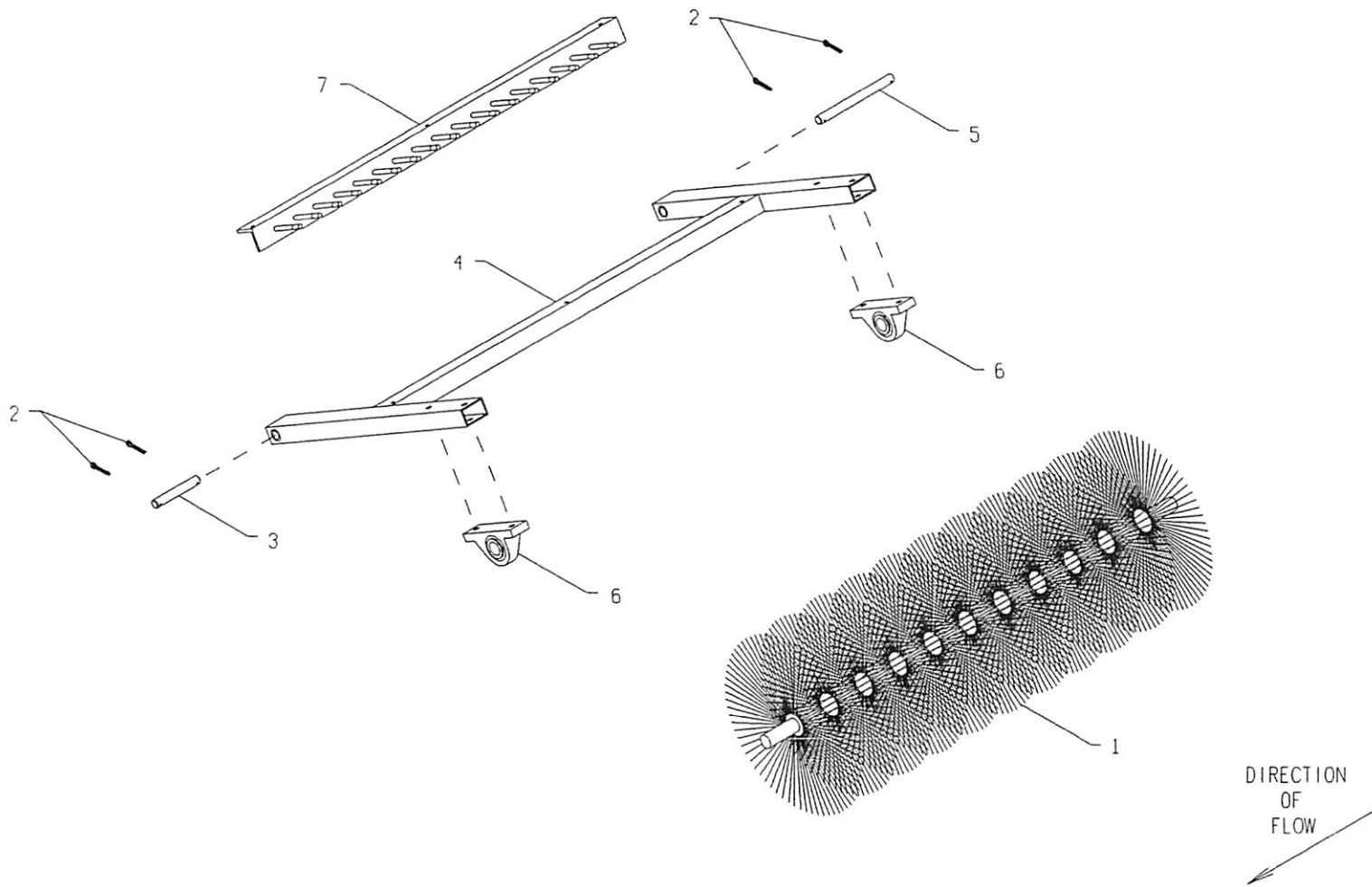
Drawn



3. T72X20P1 TROMMEL BRUSH ASSEMBLIES

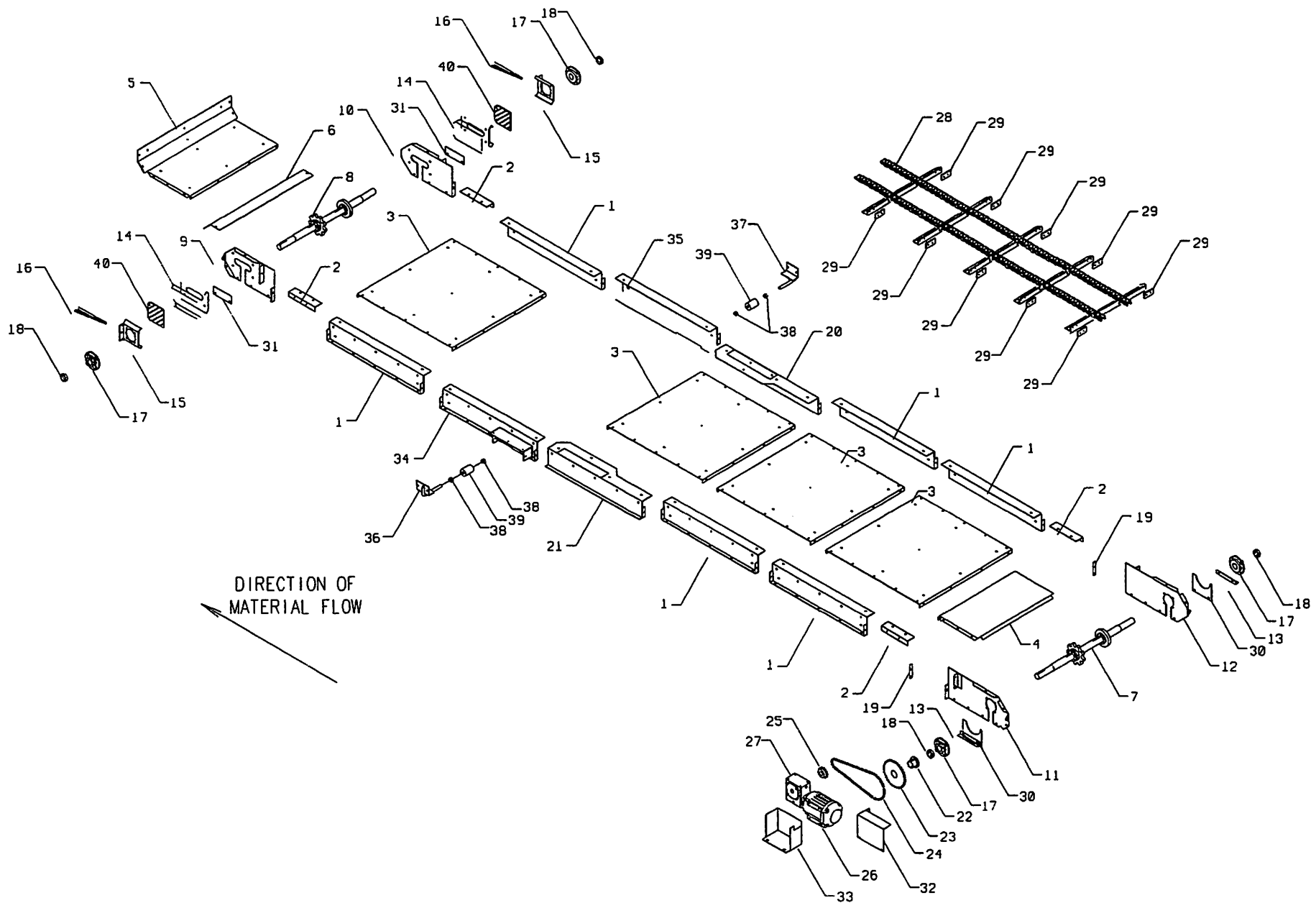
NO.	PART NO.	KEYWORD	DESCRIPTION	NO. REQ'D
--	7329	KIT	BRUSH; OUTER .....	2
--	7331	KIT	BRUSH; INNER .....	3
NOTE: THE ABOVE KITS EACH INCLUDE ALL ITEMS LISTED UNLESS OTHERWISE NOTED.				
1	5435	ROLLER	BRUSH .....	1
2	2843	SPACER	CLEANING BRUSH .....	36
3	4497	BRUSH	2-7/8X16 WAFER WHEEL .....	35
4	122768	CAP	BRUSH ROLLER .....	1
5	3167	COLLAR	1.3/16 DIA. 1-PIECE CLAMP .....	1
6	2200	PIN	COTTER 3/16X1-1/4 .....	4
7	10391	ROD	BRUSH ARM MOUNT.....7329	1
8	91242	ARM	BRUSH .....	1
9	10392	ROD	BRUSH ARM MOUNT.....7329	1
--	10392	ROD	BRUSH ARM MOUNT.....7331	2
10	3002	BEARING	1-3/16 RAK PILLOW BLOCK .....	2
11	61151	CLEANER	BRUSH .....	1





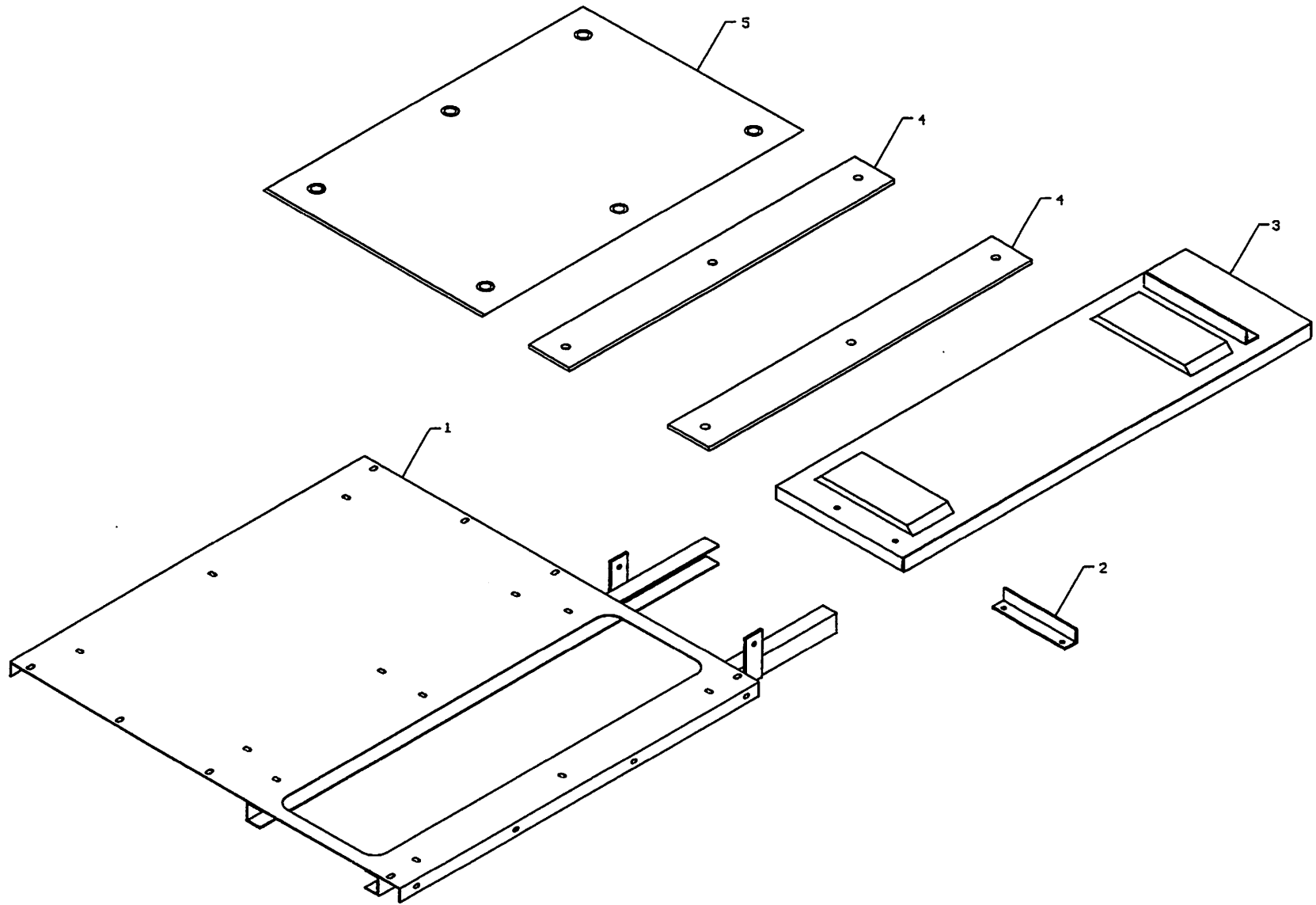
4. T72X20P1 TROMMEL SPIRAL BRUSH ASSEMBLY

NO.	PART NO.	KEYWORD	DESCRIPTION	NO. REQ'D
--	7466	KIT	SPIRAL BRUSH; OUTER .....	2
--	7467	KIT	SPIRAL BRUSH; INNER .....	3
NOTE: THE ABOVE KITS EACH INCLUDE ALL				
ITEMS LISTED UNLESS OTHERWISE				
NOTED.				
1	8483	BRUSH	SPIRAL .....	1
2	2200	PIN	COTTER 3/16X1-1/4 .....	4
3	10391	ROD	BRUSH ARM MOUNT.....7466	1
4	91242	ARM	BRUSH .....	1
5	10392	ROD	BRUSH ARM MOUNT.....7466	1
--	10392	ROD	BRUSH ARM MOUNT.....7467	2
6	3002	BEARING	1-3/16 RAK PILLOW BLOCK .....	2
7	61151	CLEANER	BRUSH .....	1



54. COLLECTION CONVEYOR FRAME & DRIVE ASSEMBLY

NO.	PART NO.	KEYWORD	DESCRIPTION	NO. REQ'D
1	123273	PANEL	COLLECTION CONVEYOR SIDE .....	6
2	123265	RAILING	EXTENSION .....	4
3	123299	PANEL	LOWER .....	4
4	123304	PANEL	LOWER DISCHARGE .....	1
5	123296	SHEET	BOTTOM COVER TAIL .....	1
6	123301	COVER	DISCHARGE END .....	1
7	S10518	ASSEMBLY	COLLECTION CONVEYOR DRIVE .....	1
8	S10519	ASSEMBLY	COLLECTION CONVEYOR IDLER .....	1
9	123249	PANEL	CONVEYOR TAIL END; RIGHT .....	1
10	123250	PANEL	CONVEYOR TAIL END; LEFT .....	1
11	123306	PANEL	CONVEYOR HEAD END; RIGHT .....	1
12	123307	PANEL	CONVEYOR HEAD END; LEFT .....	1
13	123258	ANGLE	BRACE .....	2
14	123256	TRACK	TENSIONER .....	2
15	123257	TENSIONER	CHAIN .....	2
16	10499	ROD	TENSIONER .....	2
17	3085	BEARING	2-3/16 4-HOLE FLANGE .....	4
18	3112	COLLAR	2-3/16 CONCENTRIC LOCKING .....	4
19	20356	SPACER	COLLECTION CONVEYOR FRAME .....	A/R
20	123310	SHEET	RAIL INDENTION; RIGHT .....	1
21	123311	SHEET	RAIL INDENTION; LEFT .....	1
22	5691	BUSHING	Q1 - 2-3/16 .....	1
23	5713	SPROCKET	80Q20 .....	1
24	4365-37	CHAIN	NO.80, 36 PITCHES + CONNECTOR .....	1
25	5756	SPROCKET	80B12 F1-5/8 .....	1
26	15165	MOTOR	5H/3P/460/1800/184TC/TEFC .....	1
27	11036	GEARBOX	20:1, 5 HP C-FACE .....	1
28	4639	CHAIN	COLLECTION CONVEYOR WITH FLIGHTS .....	5
29	13608	POLY	FLIGHT EXTENSION .....	50
30	123380	SHEET	COVER .....	2
31	123379	COVER	REAR OPENING .....	2
32	123381	SHIELD	UPPER DRIVE SIDE .....	1
33	123382	SHIELD	LOWER DRIVE SIDE .....	1
34	123539	PANEL	DOOR SUPPORT; LEFT .....	1
35	123538	PANEL	DOOR SUPPORT; RIGHT .....	1
36	92195	MOUNT	ROLLER; LEFT .....	1
37	92196	MOUNT	ROLLER; RIGHT .....	1
38	3161	COLLAR	1"ID SET (MILD STEEL) .....	4
39	20363	ROLLER	2.3/4 O.D. DELRIN .....	2
40	4670	SEAL	COLLECTION CONVEYOR .....	2



7421 DOOR SECTION

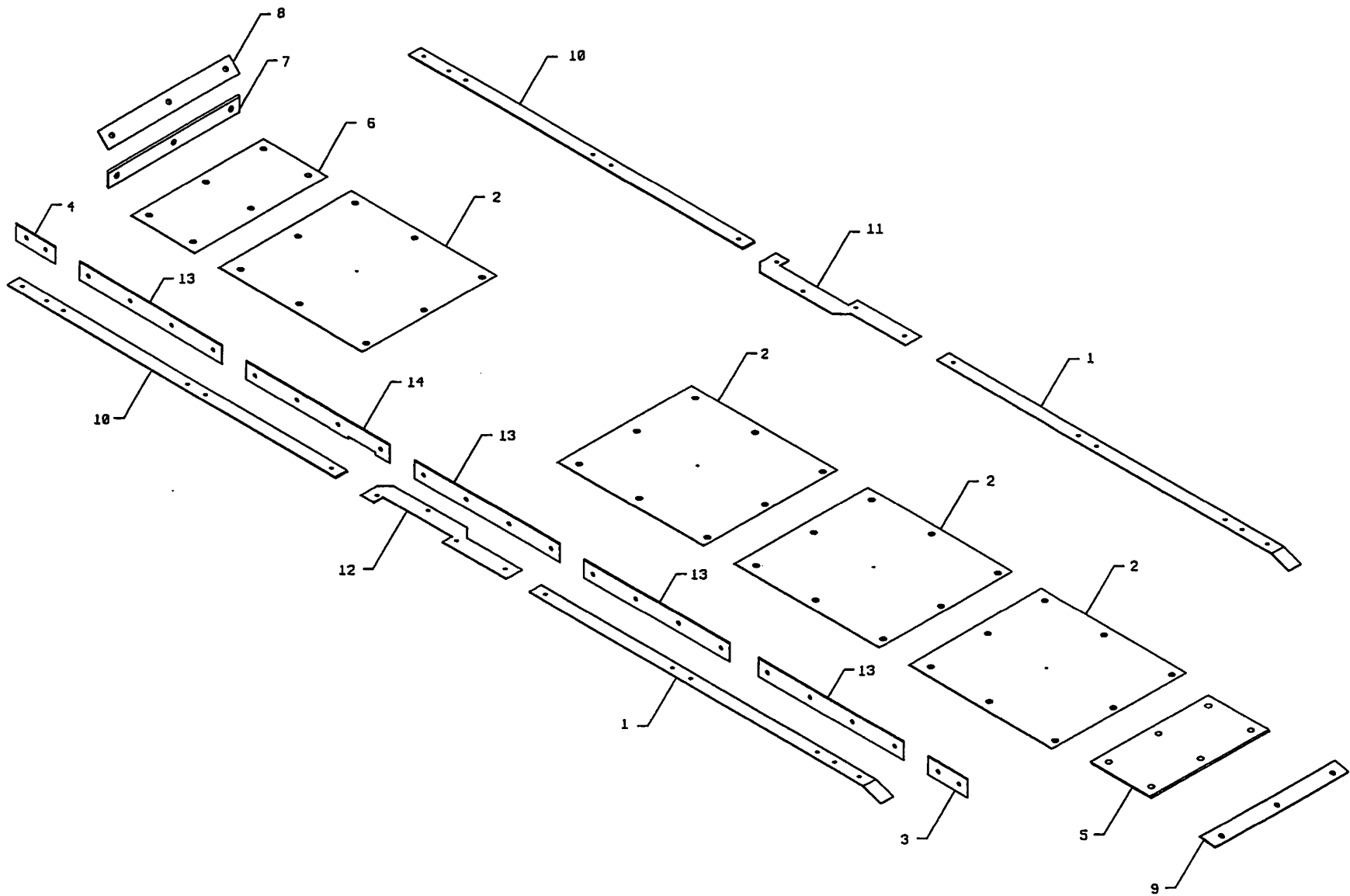
SAVED AS 7421-2

REV. 9/9/93  
SCALE: 1/8=1 AMP 1/26/93

6 5. COLLECTION CONVEYOR DOOR SECTION

NO.	PART NO.	KEYWORD	DESCRIPTION	NO. REQ'D
1	60976	PANEL	DOOR .....	1
2	92197	MOUNT	DOOR .....	1
3	60977	DOOR	ADJUSTABLE .....	1
4	60978	PLATE	WEAR; DOOR .....	2
5	13604	POLY	DOOR PANEL .....	1

3  
5



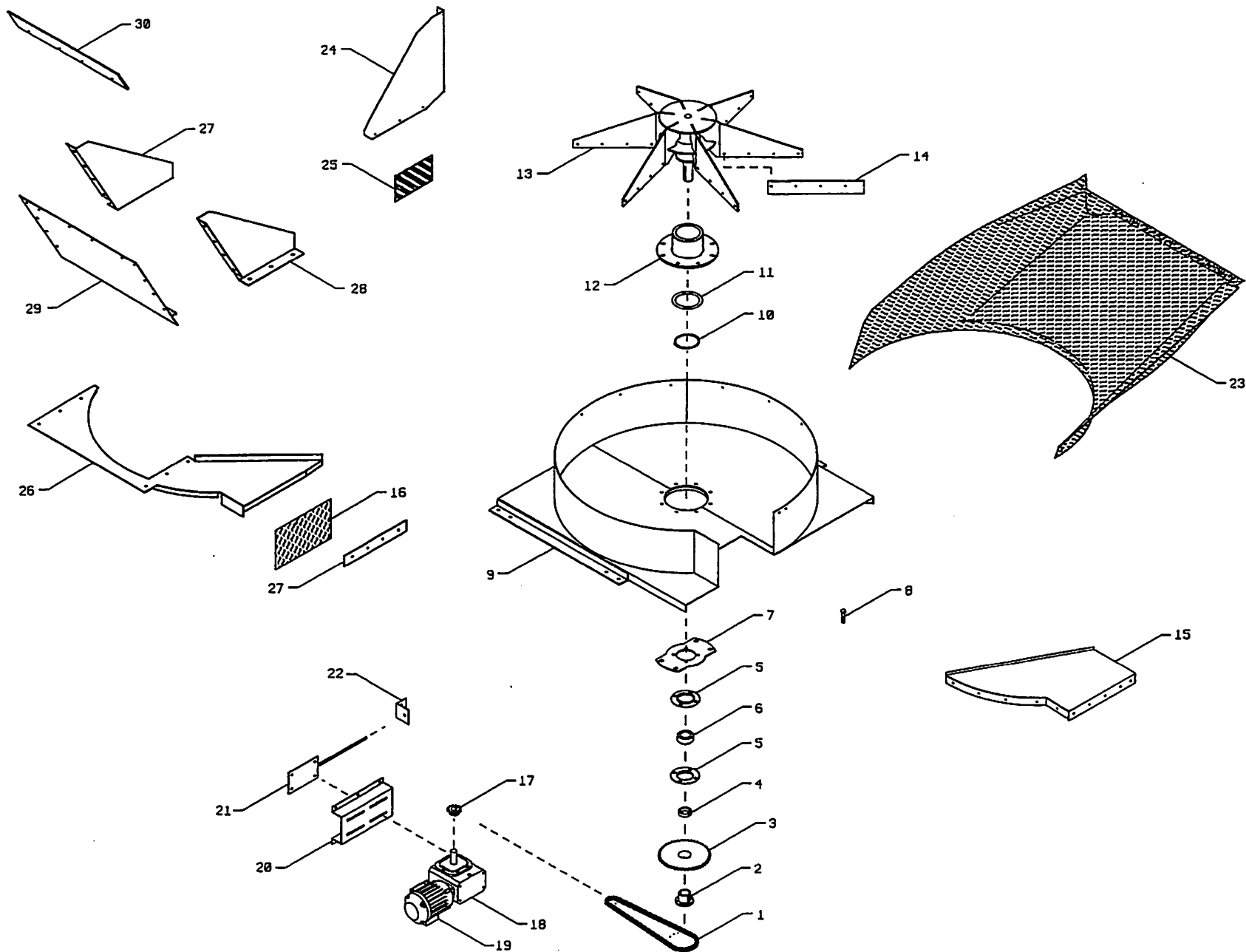
7

COLLECTION CONVEYOR POLYETHYLENE LINER

NO.	PART NO.	KEYWORD	DESCRIPTION	NO. REQ'D
1	60986	FLAT	COLLECTION CONVEYOR SLIDE; FRONT .....	2
2	13602	SLIDE	COLLECTION CONVEYOR BOTTOM .....	4
3	13569	POLY.	EXTENSION HEAD END .....	1
4	13568	POLY.	EXTENSION TAIL END .....	1
5	13603	POLY	DISCHARGE PANEL .....	1
6	13600	SLIDE	BOTTOM REAR .....	1
7	13601	SLIDE	REAR VERTICAL .....	1
8	13599	SLIDE	REAR ANGLE .....	1
9	13606	SLIDE	DISCHARGE .....	1
10	60987	FLAT	COLLECTION CONVEYOR SLIDE; REAR .....	2
11	60984	FLAT	RAIL INDENTION; RIGHT .....	1
12	60985	FLAT	RAIL INDENTION; LEFT .....	1
13	13567	SLIDE	COLLECTION CONVEYOR; SIDE .....	4
14	13638	SLIDE	COLLECTION CONVEYOR SIDE; NOTCHED .....	1



0-114



8 ~~4~~ 256X60-1 FORWARD ROTARY CONVEYOR

NO.	PART NO.	KEYWORD	DESCRIPTION	NO. REQ'D
1	4043-106	CHAIN	NO. 60, 105 PITCHES + CONNECTOR .....	1
--	4043	CHAIN	NO.60 ROLLER;16 LINKS/FT .....	A/R
--	4043A	LINK	NO. 60 CONNECTING .....	A/R
2	5691	BUSHING	Q1 - 2-3/16 .....	1
3	60Q60	SPROCKET	60Q60 .....	1
4	3087	COLLAR	2-3/16 ECCENTRIC LOCKING .....	A/R
5	3108	FLANGETTE	100MSC2 FOR 2-3/16 BEARING .....	2
6	3148	INSERT	2-3/16 NON-RELUB. BRG;ECC. W/COLLAR ....	1
7	123371	PLATE	2-3/16 FLANGETTE .....	1
8	1686	SCREW	5/8-11X3;EXTRA THREADS .....	4
9	92044	DRUM	FORWARD 60" ROTARY CONVEYOR .....	1
10	2282	RING	5-1/2IDX.125"THK EXTERNAL SNAP .....	1
11	123295	WASHER	6.375OD X 5.625ID X 10GA .....	2
12	5762	BEARING	ROTARY CONVEYOR .....	1
13	5761	ROTOR	ROTARY CONVEYOR .....	1
14	13596	FLIGHT	POLYETHYLENE .....	6-OF
15	123324	SHIELD	FORWARD ROTARY CONVEYOR .....	OPT
16	4641	FLAP	ROTARY CONV.SHIELD .....	1
17	5159	SPROCKET	60B12 F 1-3/8 .....	1
18	11064	GEARBOX	30:1,2HP .....	1
19	15161	MOTOR	2H/3P/460/1800/145TC/TEFC .....	1
20	123294	MOUNT	GEARBOX .....	1
21	60971	ADJUSTER	GEARBOX .....	1
22	60972	BRACKET	ADJUSTER ROD .....	1
23	4645	CHUTE	CONVEYOR TRANSITION .....	1
24	123459	SHIELD	SPILLAGE .....	1
25	4664	FLAP	SPILLAGE SHIELD .....	1
26	123540	COVER	#1 ROTARY CONVEYOR .....	1
27	123521	SHEET	RIGHT SUPPORT .....	1
28	123522	SHEET	LEFT SUPPORT .....	1
29	123520	SLIDE	MATERIAL .....	1
30	13639	SCRAPER	POLYETHYLENE .....	1

14 a 4677 Flap Rotary Flight; Rubber ----- OPT

