

T96X45MS  
STATIONARY TROMMEL  
SCREEN

CAT106

OWNER'S NAME \_\_\_\_\_

DEALER'S NAME \_\_\_\_\_

SERIAL NUMBER \_\_\_\_\_

DATE PURCHASED \_\_\_\_\_

# TABLE OF CONTENTS

CAT106  
1st Edition  
January 1, 1993

## T96x45MS

### Section                      STATIONARY TROMMEL                      Page

1	Main Frame Assembly.....	3
2	Stand Assembly - Kit #7402.....	5
3	Catwalk Assembly.....	7
4	Drum Assembly.....	8
5	Acceptables Conveyor Stand.....	11
6	Infeed Conveyor Stand and Metal Removal Kit.....	13
7	Overs Conveyor Stand.....	15
8	Auger Stand.....	17
9	Auger Britches.....	19
10	Auger .....	21
11	Discharge Extension Assembly.....	23
12	Collection Conveyor Frame & Drive.....	25
13	Decals & Safety Equipment.....	27
	Numerical Parts Index.....	28
	CMC Conveyor Drawings	
	Warranty	

#### NOTES

The Terms "Left" and "Right" used in the description of parts are determined by facing the direction of flow of material through the machine.

"A/R" found in the "No. Req'd" column denotes "As Required".

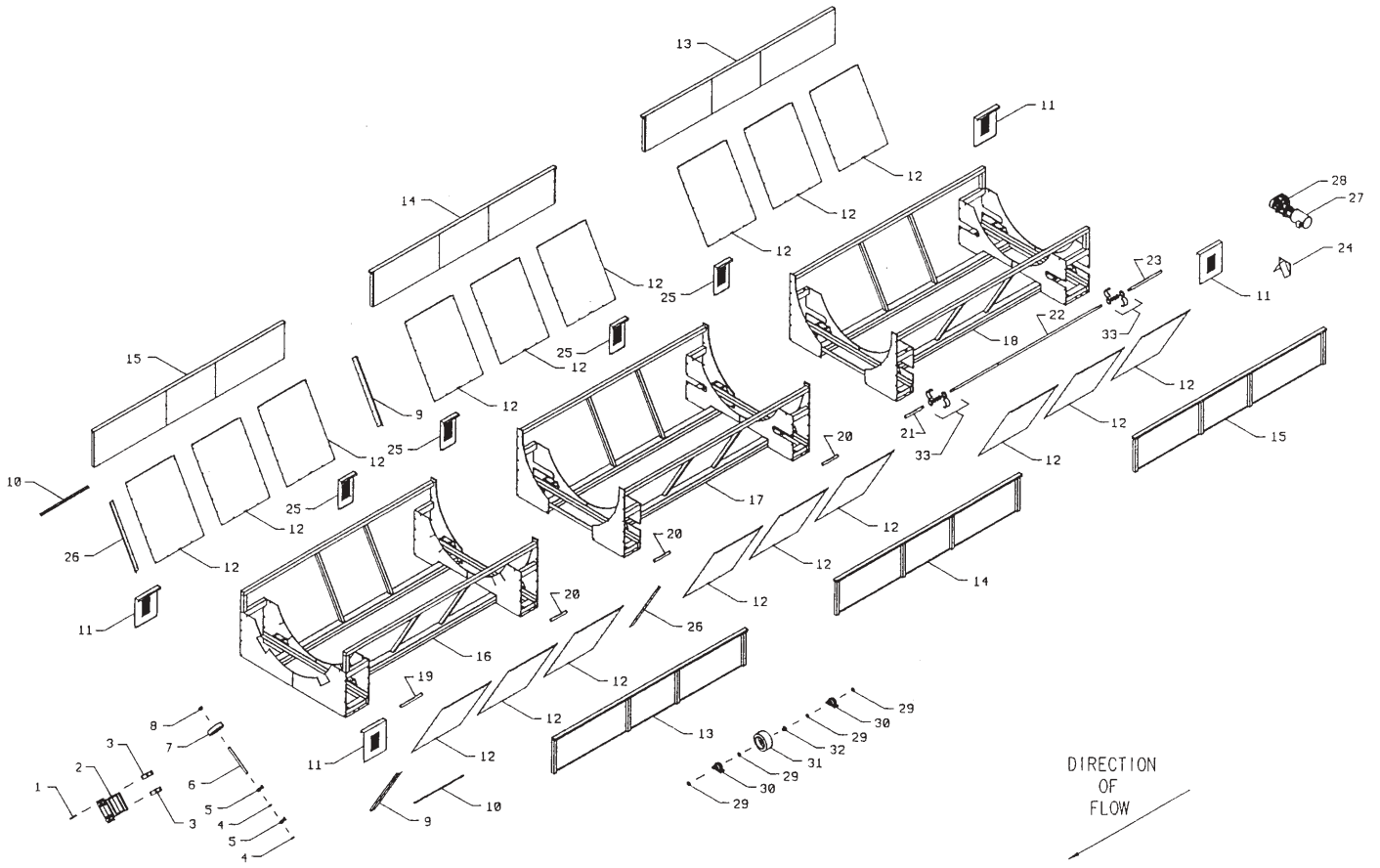
"OPT" found in the "No., Req'd" column denotes "Optional".

---

1100 Holland Road Suffolk, VA 23434 U.S.A.  
(804) 539-0231 / Fax - (804) 934-3264

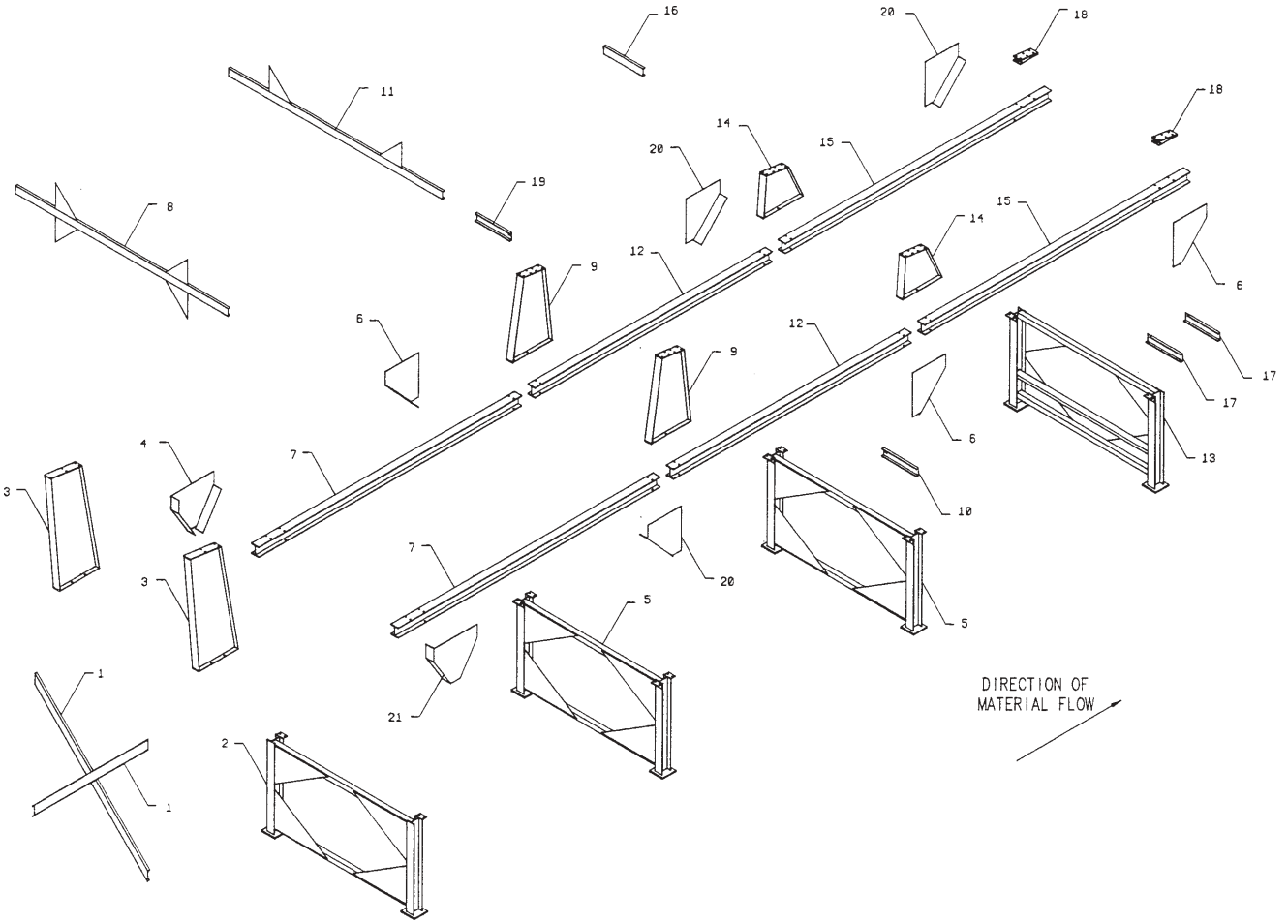
1701 S. Slappey Blvd./P.O. Box 3687 Albany, GA 31706  
(912) 439-2217 / Fax (912) 439-9343

**A M A D A S**  
INDUSTRIES



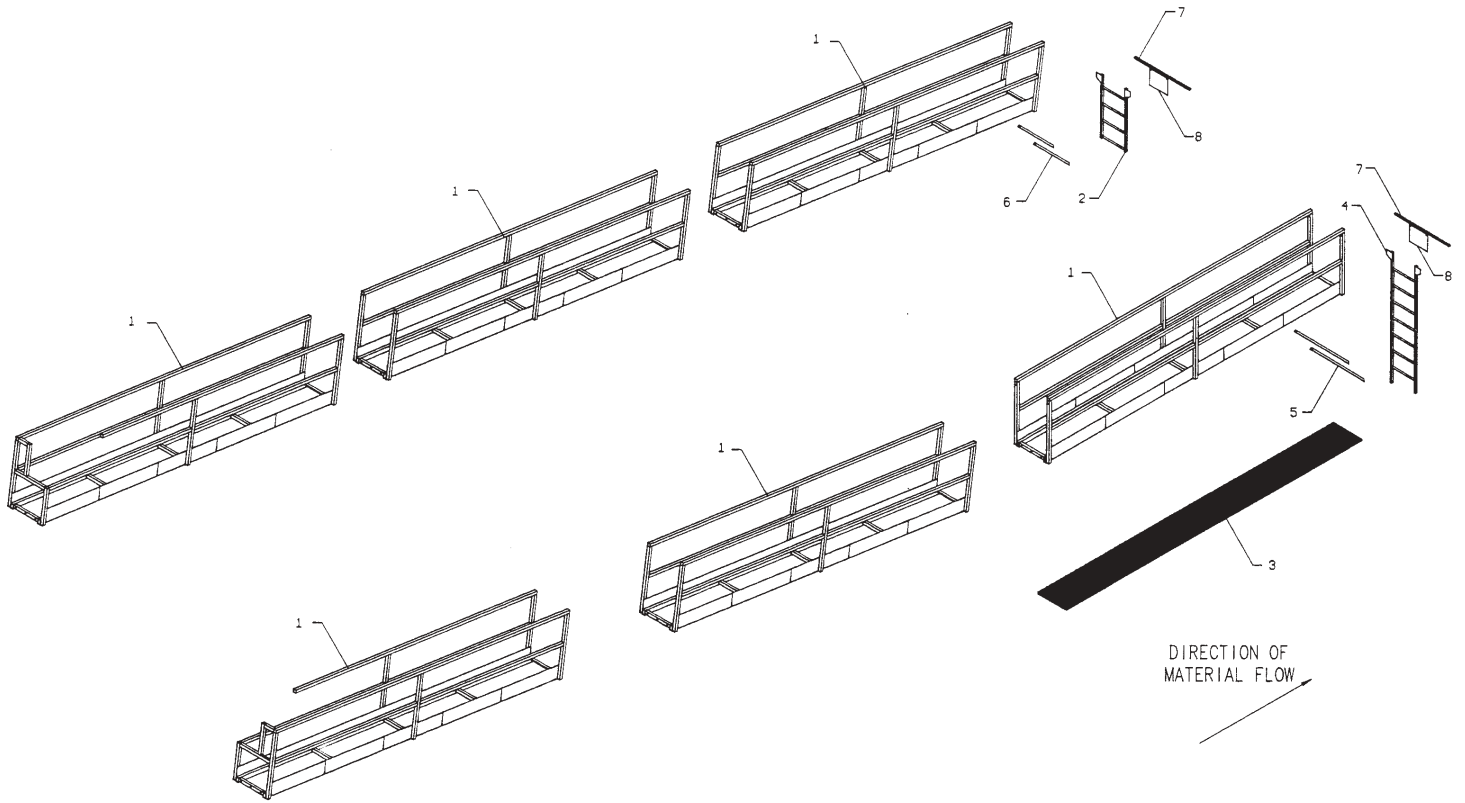
1. MAIN FRAME ASSEMBLY

NO.	PART NO.	KEYWORD	DESCRIPTION	NO. REQ'D
1	1687	ROD	THRUST .....	8
2	92097	MOUNT	THRUST ROLLER .....	2
3	92098	MOUNT	THRUST ROLLER .....	4
4	3125	COLLAR	2-7/16 ECCENTRIC LOCKING .....	A/R
5	3124	BEARING	2-7/16 PILLOW BLOCK W/COLLAR .....	4
6	10544	SHAFT	THRUST ROLLER 28.0X2.7/16 .....	2
7	S8455	WHEEL	18X4X12.1/8 TIRE & RIM ASSY .....	2
8	5663	BUSHING	Q1 2-7/16 .....	2
9	123246	MOUNT	PANEL; END .....	6
10	123245	SUPPORT	PANEL; LOWER .....	18
11	123407	SHIELD	DRIVE .....	4
12	123244	PANEL	T96 FRAME; LOWER .....	18
13	91920	EXTENSION	DRUM FRAME; OUTER .....	2
14	91921	EXTENSION	DRUM FRAME; CENTER .....	2
15	91922	EXTENSION	DRUM FRAME; OUTER .....	2
16	91800	FRAME	T96 OUTLET .....	1
17	91801	FRAME	MID-SECTION; T96 .....	1
18	91799	FRAME	T96 INLET .....	1
19	10539	SHAFT	OUTFEED IDLER .....	2
20	10540	SHAFT	CONNECTOR IDLER .....	6
21	10542	SHAFT	CENTER DRIVE .....	2
22	10543	SHAFT	DRIVE .....	2
23	10541	SHAFT	MAIN DRIVE .....	2
24	61069	MOUNT	MOTOR .....	2
25	123406	SHIELD	IDLER .....	8
26	123247	MOUNT	PANEL; END .....	6
27	15903	MOTOR	15H/3P/460/1250/284/TEFC .....	2
28	11252	GEARBOX	20:1,15HP;90DEG.SHFT MNT .....	1
--	11253	GEARBOX	20:1,15HP;90DEG.SHFT MNT .....	1
29	3125	COLLAR	2-7/16 ECCENTRIC LOCKING .....	A/R
30	3151	BEARING	2.7/16 PILLOW BLOCK W/COLLARS .....	24
31	S8468	WHEEL	20X8X16 TIRE&WHEEL ASSEMBLY .....	12
32	5461	BUSHING	Q2 2-7/16 .....	12
33	70010	KIT	FLEXIBLE CHAIN W/COVER .....	4



2. STAND ASSEMBLY - KIT #7402

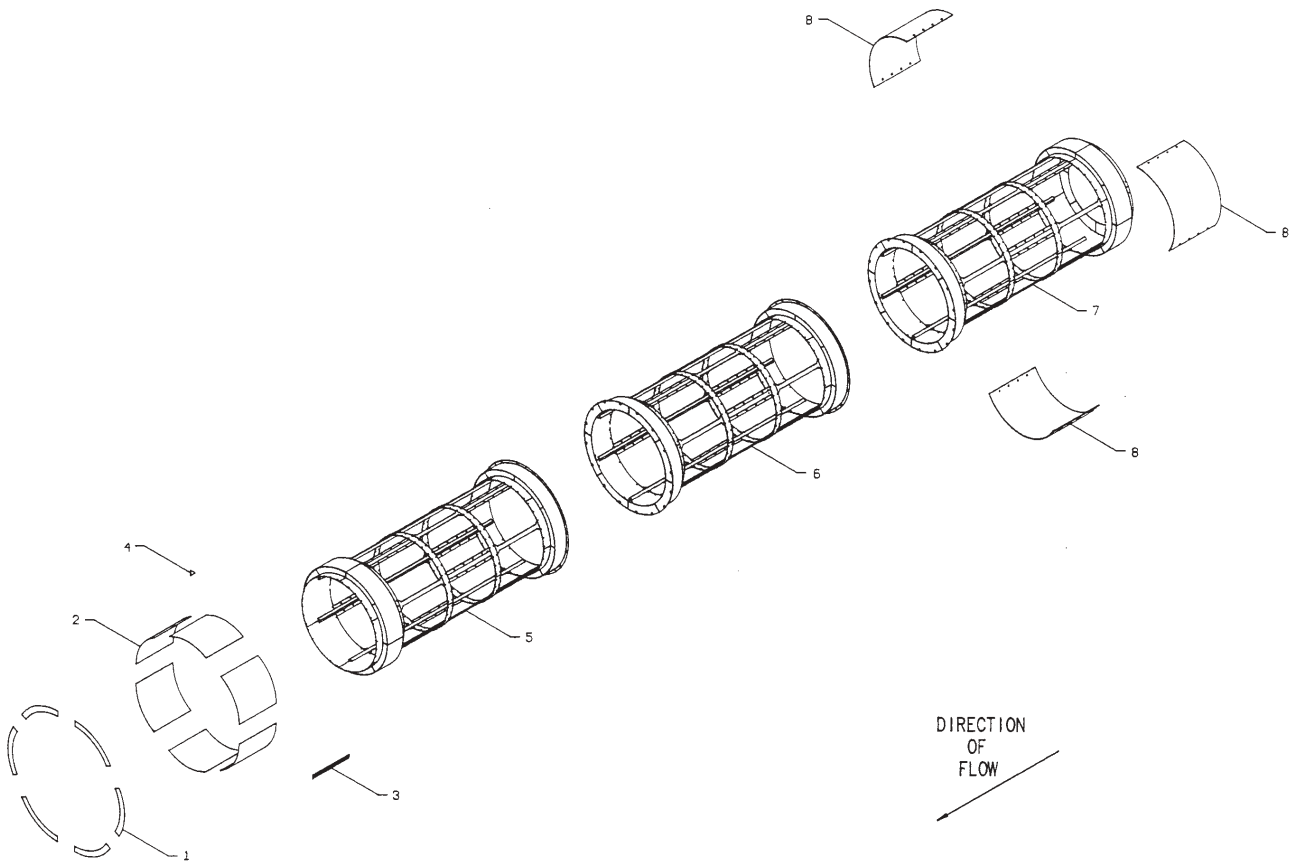
NO.	PART NO.	KEYWORD	DESCRIPTION	NO. REQ'D
1	61067	BRACE	FRONT EXTENSION LEG .....	2
2	91817	STAND	6 FT. OUTER; T96 (INLET) .....	1
3	91903	LEG	EXTENSION; FRONT .....	2
4	123236	GUSSET	STAND TO RAIL; INLET .....	1
5	91816	STAND	6 FT. INNER; T96 .....	2
6	123235	GUSSET	STAND TO RAIL .....	3
7	91897	GIRDER	STAND; INFEED; 235LG .....	2
8	61065	SUPPORT	CATWALK STAND; INLET .....	1
9	91900	LEG	EXTENSION; MID-SECTION .....	2
10	61063	SUPPORT	MID-SECTION; RIGHT .....	1
11	61066	SUPPORT	CATWALK STAND;MID-SECTION .....	1
12	91896	GIRDER	STAND; MID-RAIL; 212.875 .....	2
13	91818	STAND	6 FT OUTER; T96; (OUTLET) .....	1
14	91899	LEG	EXTENSION; REAR .....	2
15	91898	GIRDER	STAND; OUTLET; 239 LG .....	2
16	61061	SUPPORT	LEFT REAR .....	1
17	61064	SUPPORT	REAR RIGHT; 31.50 LG .....	2
18	91959	WEDGE	TROMMEL; T96X45MS .....	2
19	61062	SUPPORT	MID-SECTION; LEFT .....	1
20	123404	GUSSET	STAND TO RAIL .....	3
21	123405	GUSSET	STAND TO RAIL; INLET .....	1



3. CATWALK ASSEMBLY

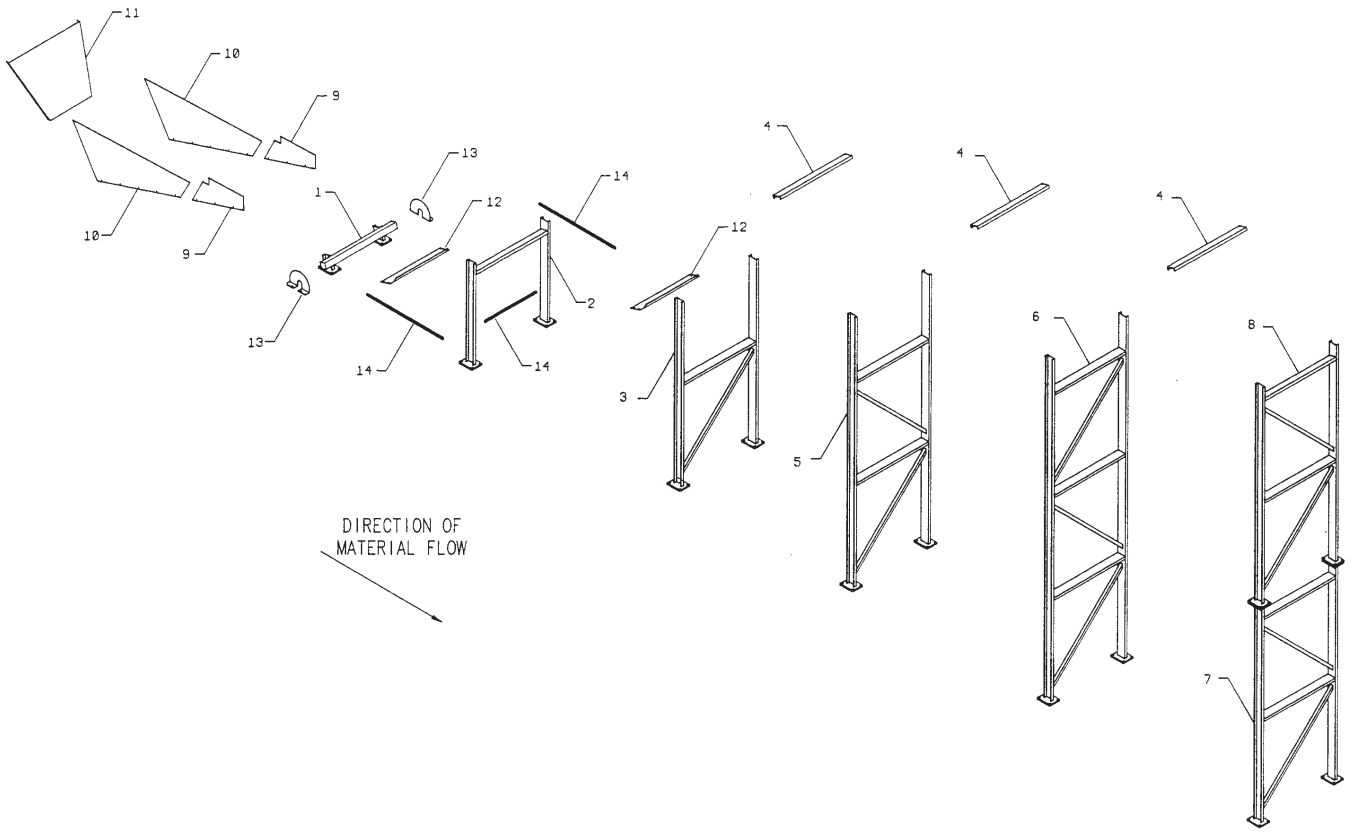
NO.	PART NO.	KEYWORD	DESCRIPTION	NO. REQ'D
1	91918	FRAME	CATWALK SECTIONAL .....	6
2	91919	LADDER	CATWALK .....	1
3	123276	GRATING	CATWALK .....	6
4	91960	LADDER	CATWALK .....	1
5	-----	BRACE	DIAGONAL; 62 LONG X 1.1/4 X 1.1/4 .....	2
6	-----	BRACE	DIAGONAL; 40 LONG X 1.1/4 X 1.1/4 .....	2
7	4654	CHAIN	1/0 STRAIGHT .....	A/R
8	8463	DECAL	DANGER: AUTHORIZED PERSONNEL ONLY .....	2





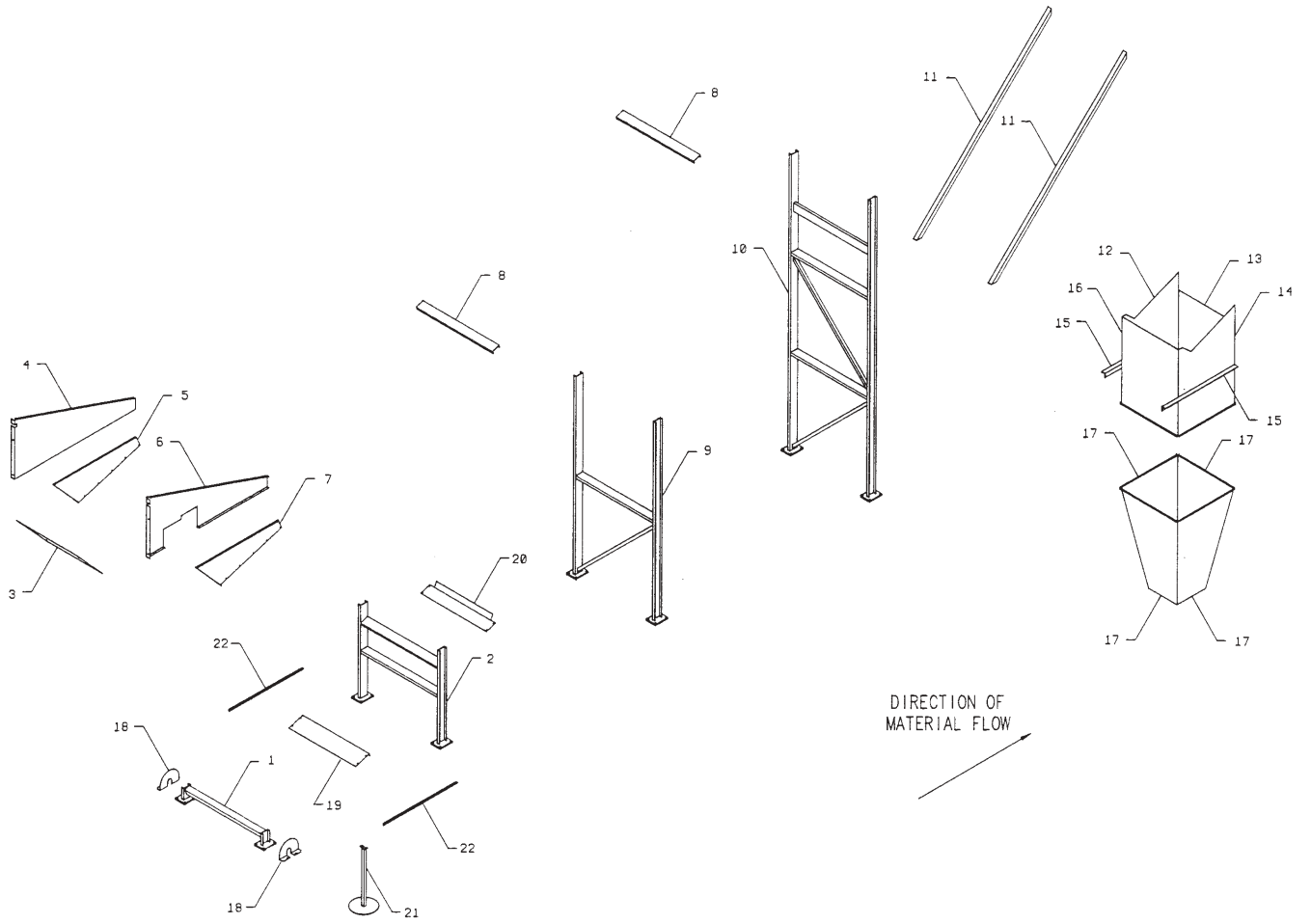
4. DRUM ASSEMBLY

NO.	PART NO.	KEYWORD	DESCRIPTION	NO. REQ'D
1	123402	ARC	DRUM RING .....	6
2	123401	PANEL	DRUM EXTENSION .....	6
3	92026	BAND	EXTENSION .....	6
4	123403	GUSSET	6X6X10GA .....	6
5	91926	DRUM	T96 OUTLET .....	1
6	91894	DRUM	T96 MID-SECTION .....	1
7	91890	DRUM	T96 INLET .....	1
8	13562	SCREEN	3.1/2 SQ. HOLES .....	27



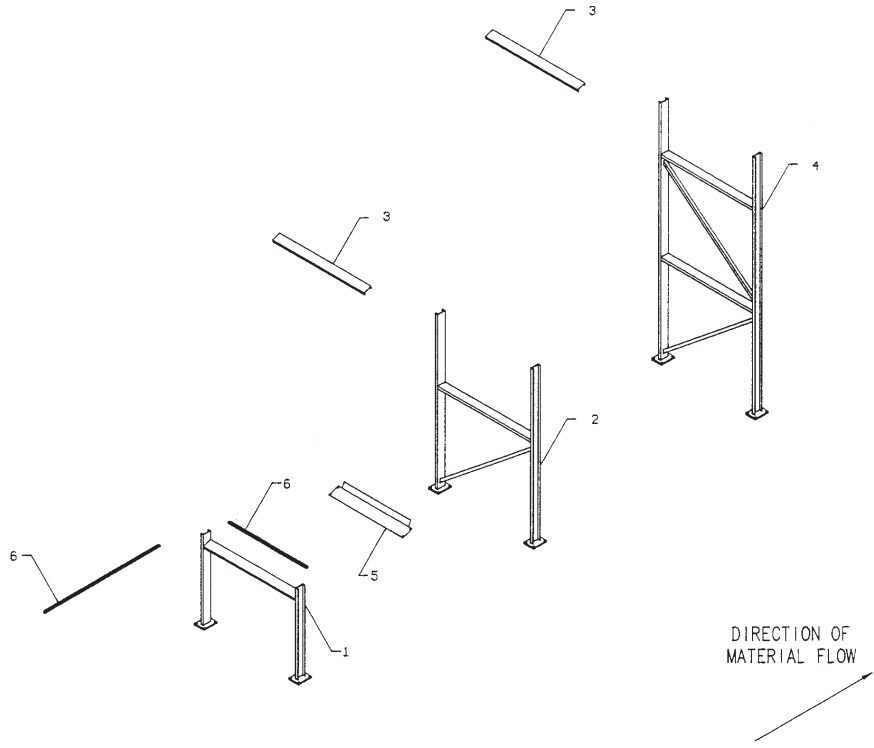
5. ACCEPTABLES CONVEYOR STAND

NO.	PART NO.	KEYWORD	DESCRIPTION	NO. REQ'D
1	91927	STAND	7.1/2" TALL CONVEYOR .....	1
2	91928	STAND	72" TALL CONVEYOR .....	1
3	91930	STAND	130.3/8" TALL CONVEYOR .....	1
4	91851C	SUPPORT	CONVEYOR .....	3
5	91931	STAND	190" TALL CONVEYOR .....	1
6	91932	STAND	241" TALL CONVEYOR .....	1
7	91933	STAND	CONVEYOR; LOWER .....	1
8	91934	STAND	CONVEYOR; UPPER .....	1
9	123420	SHEET	CHUTE SIDE; FRONT .....	2
10	123418	SHEET	CHUTE SIDE; MIDDLE .....	2
11	123419	SHEET	CHUTE END .....	1
12	123424	SHIELD	ACCEPTABLES CONVEYOR .....	2
13	121965	SHIELD	CONVEYOR DRUM .....	2
14	4654	CHAIN	1/0 STRAIGHT .....	A/R



6. INFEED CONVEYOR STAND AND METAL REMOVAL KIT

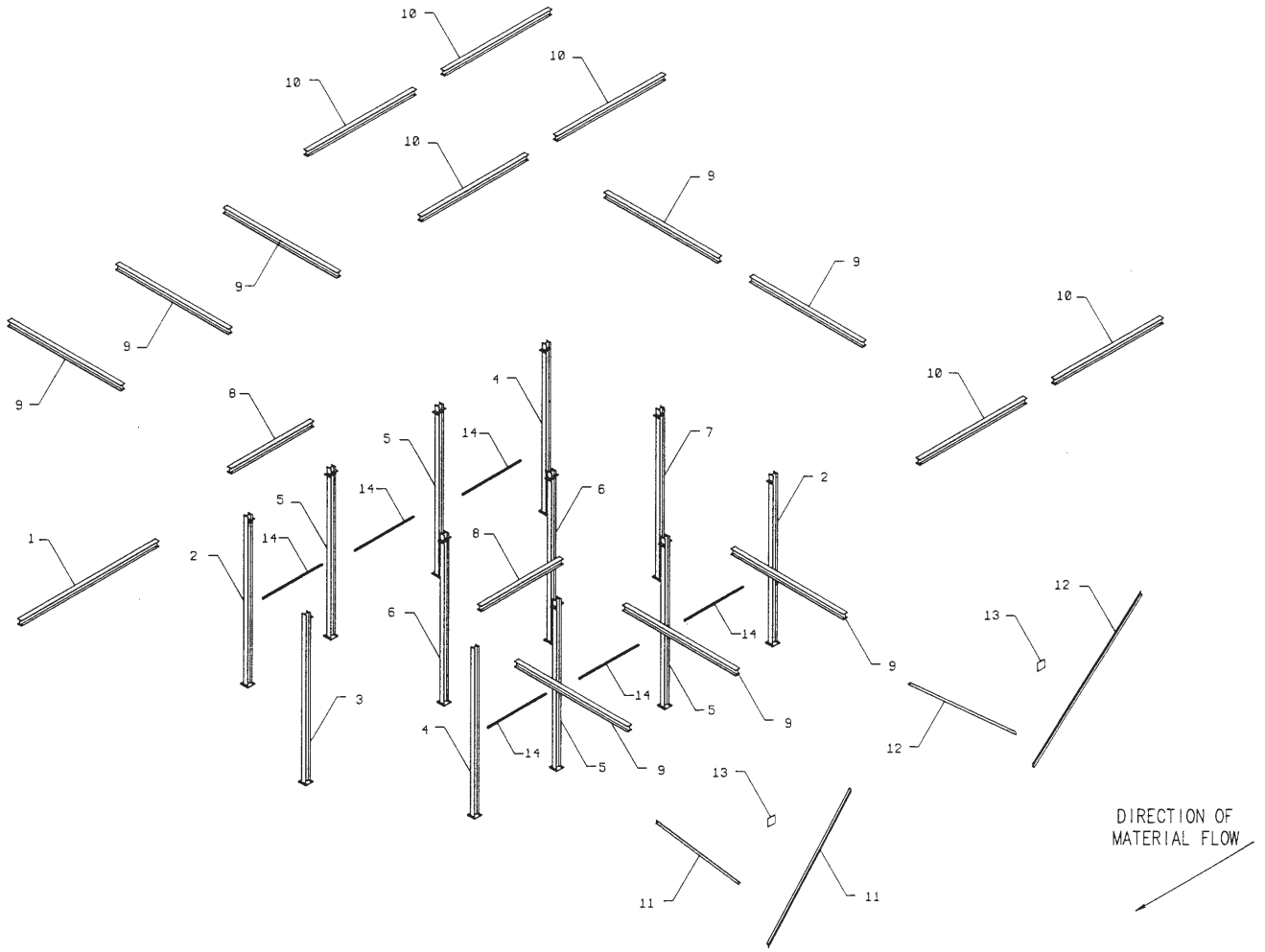
NO.	PART NO.	KEYWORD	DESCRIPTION	NO. REQ'D
1	91936	STAND	9.1/4" CONVEYOR .....	1
2	91938	STAND	69" CONVEYOR .....	1
3	123394	SHEET	RIGHT LOWER TROUGH SIDE .....	1
4	123391	SHEET	UPPER LEFT TROUGH SIDE .....	1
5	123392	SHEET	LOWER LEFT TROUGH SIDE .....	1
6	123390	SHEET	UPPER RIGHT TROUGH SIDE .....	1
7	123393	SHEET	LOWER RIGHT TROUGH SIDE .....	1
8	91938B	CHANNEL	CONVEYOR STAND .....	2
9	91939	STAND	145" CONVEYOR .....	1
10	91940	STAND	217 CONVEYOR .....	1
11	61058	TUBING	INFEED DIAGONAL BRACE .....	2
12	123397	SIDE	UPPER LEFT SCRAP METAL CHUTE .....	1
13	123398	SHEET	REAR SCRAP METAL CHUTE .....	1
14	123396	SIDE	UPPER RIGHT SCRAP METAL CHUTE .....	1
15	61057	ANGLE	SCRAP METAL MOUNTING .....	2
16	123399	SHEET	FRONT SCRAP METAL CHUTE .....	1
17	123395	SIDE	LOWER SCRAP METAL CHUTE .....	4
18	121965	SHIELD	CONVEYOR DRUM .....	2
19	123422	SHIELD	INFEED IDLER; BOTTOM .....	1
20	123423	SHIELD	INFEED IDLER; SECOND .....	1
21	61072	STAND	SAFETY CHAIN ATT'G .....	A/R
22	4654	CHAIN	1/0 STRAIGHT .....	A/R



7. OVERS CONVEYOR STAND

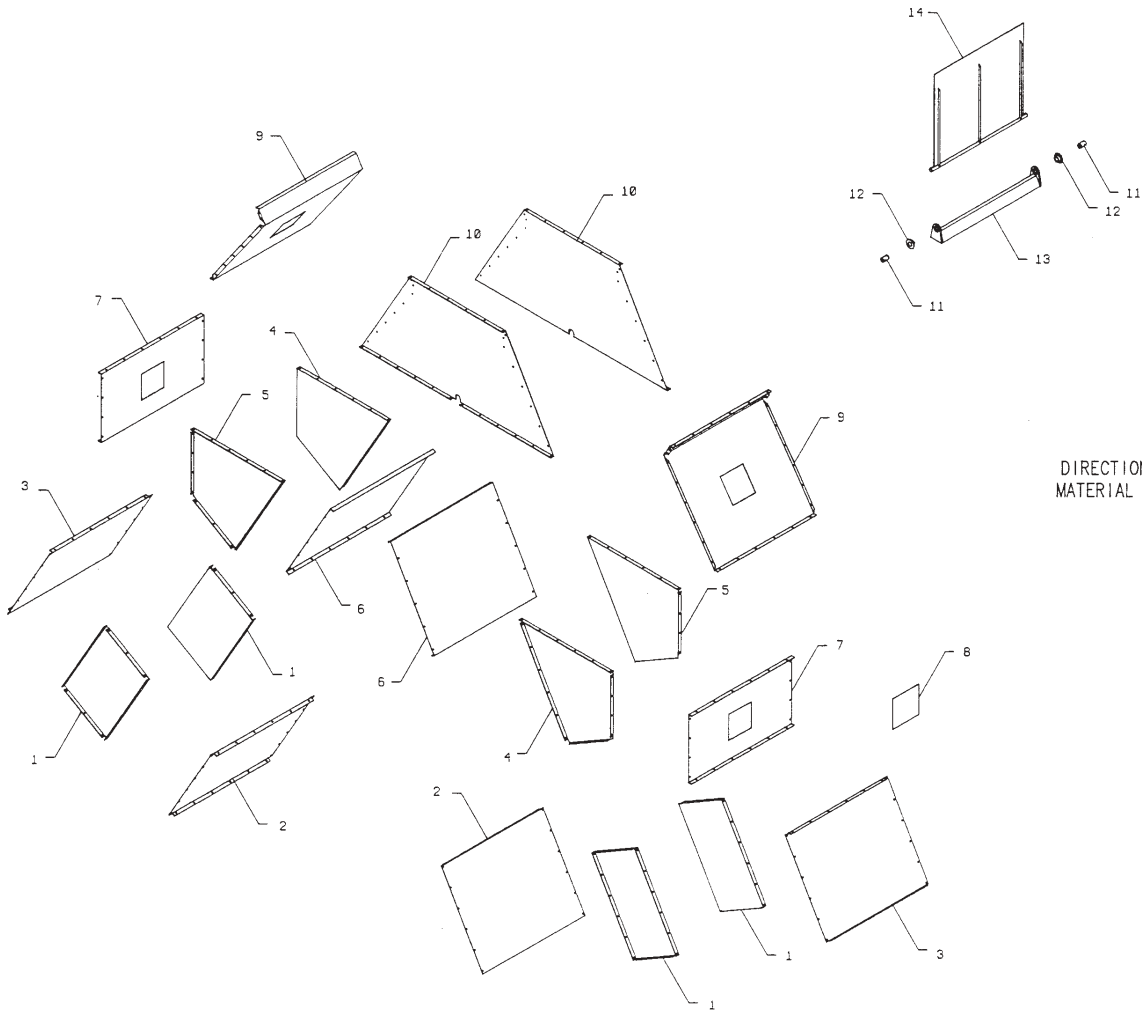
NO.	PART NO.	KEYWORD	DESCRIPTION	NO. REQ'D
1	91941	STAND	64.1/2" CONVEYOR .....	1
2	91942	STAND	123" CONVEYOR .....	1
3	91941B	SUPPORT	CONVEYOR .....	2
4	91943	STAND	181" CONVEYOR .....	1
5	123425	SHIELD	OVERS CONVEYOR .....	1
6	4654	CHAIN	1/0 STRAIGHT .....	A/R





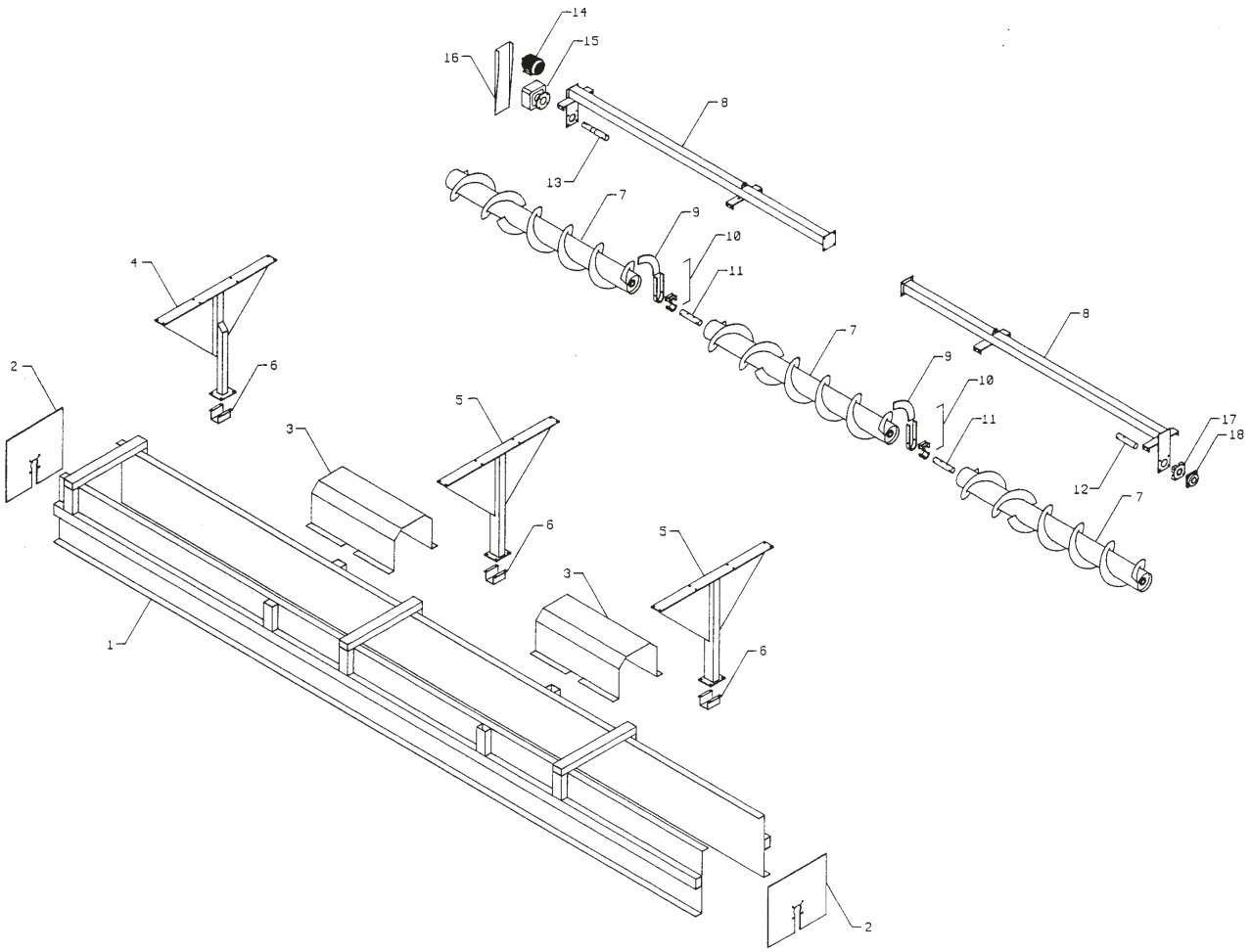
8. AUGER STAND

NO.	PART NO.	KEYWORD	DESCRIPTION	NO. REQ'D
1	91949	BEAM	AUGER FRAME; 226.813LG .....	1
2	91952	UPRIGHT	AUGER FRAME .....	2
3	91955	UPRIGHT	AUGER FRAME .....	1
4	91950	UPRIGHT	AUGER FRAME .....	2
5	91953	UPRIGHT	AUGER FRAME .....	4
6	91954	UPRIGHT	AUGER FRAME .....	2
7	91951	UPRIGHT	AUGER FRAME .....	1
8	91948	BEAM	AUGER FRAME; 135.875LG .....	2
9	91946	BEAM	AUGER FRAME; 186.688LG .....	8
10	91947	BEAM	AUGER FRAME; 177.438LG .....	6
11	91956	BRACE	DIAGONAL; AUGER FRAME .....	4
12	91957	BRACE	DIAGONAL; AUGER FRAME .....	12
13	91958	MOUNT	DIAGONAL BRACE .....	8
14	4654	CHAIN	1/0 STRAIGHT .....	A/R



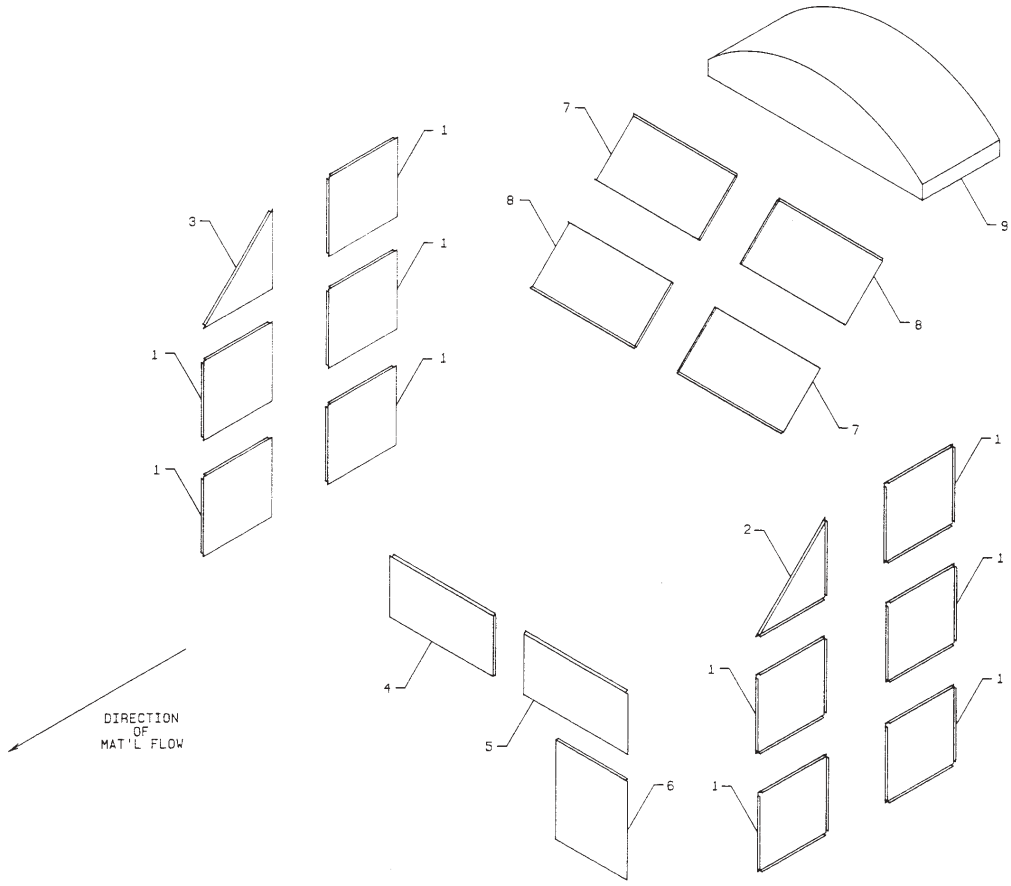
9. AUGER BRITCHES

NO.	PART NO.	KEYWORD	DESCRIPTION	NO. REQ'D
1	123272	PANEL	TRANSITION; FRONT AND REAR .....	4
2	123274	PANEL	TRANSITION; INNER .....	2
3	123275	PANEL	TRANSITION; OUTER .....	2
4	123271	PANEL	TRANSITION; RIGHT .....	2
5	123270	PANEL	TRANSITION SPOUT; LEFT .....	2
6	123269	PANEL	AUGER MID-SECTION INNER .....	2
7	123268	AUGER	END PLATE .....	2
8	123408	DOOR	AUGER .....	4
9	123267	PANEL	AUGER; UPPER SIDE .....	2
10	123282	PANEL	AUGER; FRONT AND REAR UPPER .....	2
11	20323	BUSHING	GATE .....	2
12	13580	BUSHING	AUGER BRITCHES .....	2
13	91964	SUPPORT	AUGER PIVOT CROSS .....	1
14	60944	GATE	AUGER BRITCHES .....	1



10. AUGER

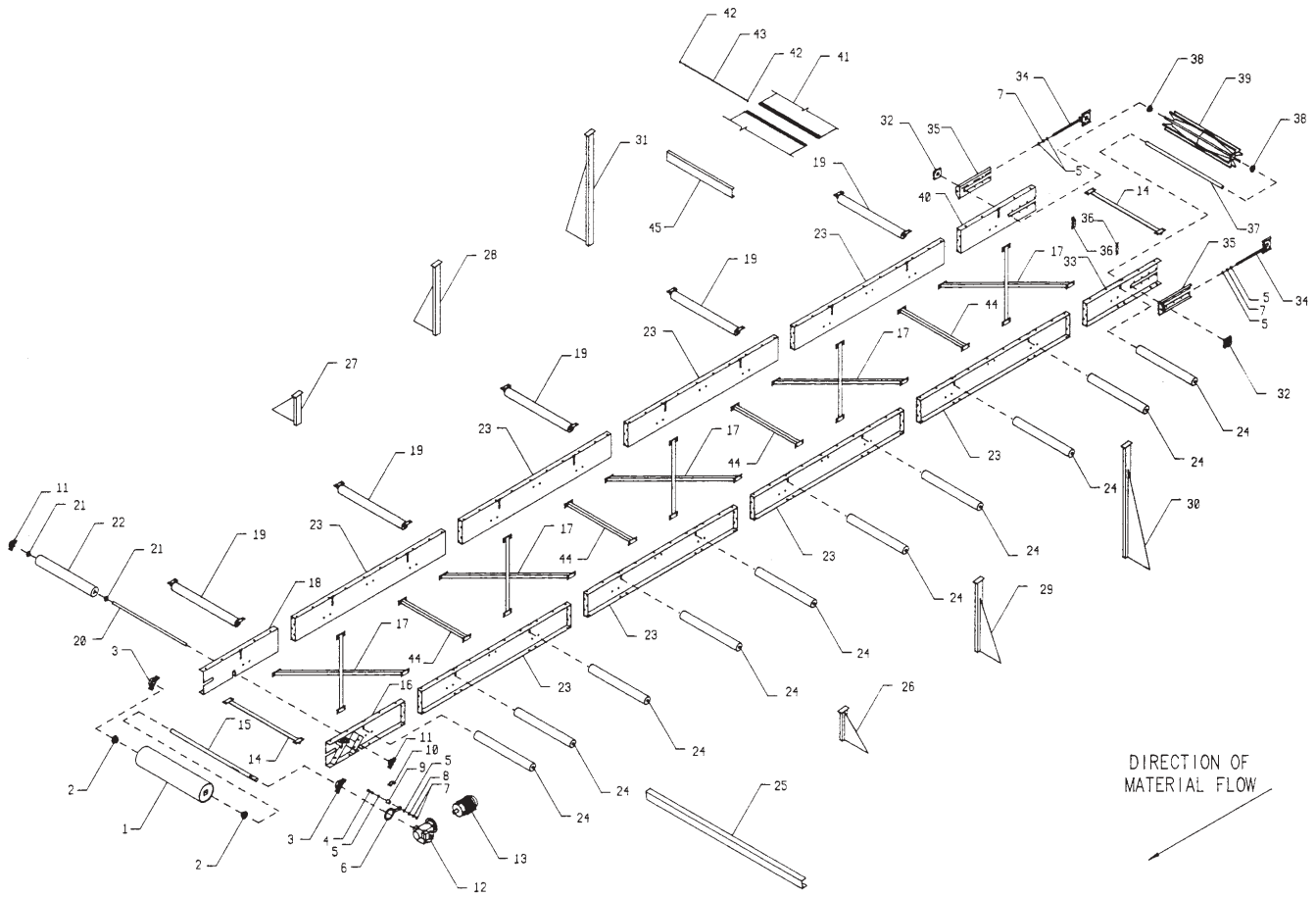
NO.	PART NO.	KEYWORD	DESCRIPTION	NO. REQ'D
1	92104	FRAME	T96X45MS AUGER .....	2
2	123427	PLATE	AUGER END .....	4
3	123429	HOOD	AUGER .....	4
4	61071	MOUNT	AUGER FRAME; REAR .....	2
5	61070	MOUNT	AUGER FRAME .....	4
6	61074	CLAMP	AUGER BEAM .....	6
7	51105	AUGER	11'8" LG. ....	6
8	61075	HANGER	AUGER BEAM .....	4
9	123426	MOUNT	AUGER HANGER .....	4
10	7432	KIT	HANGER W/WOOD BEARING .....	4
11	10545	SHAFT	AUGER COUPLING .....	4
12	10546	SHAFT	AUGER END .....	2
13	10547	SHAFT	DRIVE; AUGER .....	2
14	15710	MOTOR	20HP/3P/60HZ/ODP/NEMA256T .....	2
15	15905	REDUCER	MOTOR; 215D24 .....	2
16	123430	SHIELD	AUGER DRIVE .....	2
17	3194	SEAL	3-7/16" DIA. LIP TRGH .....	2
18	3193	BEARING	F255 3-7/16 .....	2



11. DISCHARGE EXTENSION ASSEMBLY

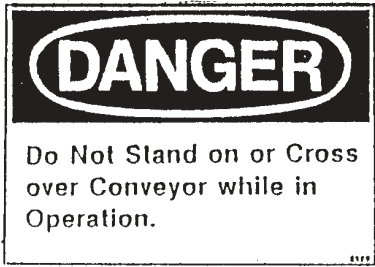
NO.	PART NO.	KEYWORD	DESCRIPTION	NO. REQ'D
1	123409	SHEET	SIDE EXTENSION .....	10
2	123410	SHEET	SIDE EXTENSION; RT. ....	1
3	123411	SHEET	SIDE EXTENSION; RT. ....	1
4	123414	PANEL	END FEED; RT. ....	1
5	123415	PANEL	END FEED; LT. ....	1
6	123416	PANEL	END .....	1
7	123412	SHEET	TOP COVER .....	2
8	123413	SHEET	TOP COVER .....	2
9	123417	END	TROMMEL COVER .....	1





12. COLLECTION CONVEYOR FRAME & DRIVES

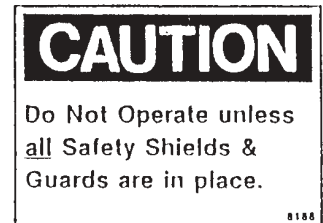
NO.	PART NO.	KEYWORD	DESCRIPTION	NO. REQ'D
1	5459	PULLEY	12" DIA. X 51" LONG; XT DRUM	1
2	2849	BUSHING	XTB25 X 2-3/16	2
3	3111	BEARING	2-3/16 PILLOW BLOCK	2
4	G9428644	SCREW	3/4-10X4 USS GRADE 8 CAP	1
5	G131017	WASHER	3/4 FLAT	6
6	91945	FLANGE	GEARBOX STABILIZER; LARGE	1
7	G220086	NUT	3/4-10 USS	4
8	G131046	LOCKWASHER	3/4	1
9	4283EP	GROMMET	EP688 50 DURO 2X2X3/4ID	1
10	6677	CLAMP	LARGE GROMMET	1
11	3011	BEARING	1-7/16 PILLOW BLOCK	2
12	11136	GEARBOX	20:1	1
13	15165	MOTOR	5H/3P/460/1800/184TC/TEFC	1
14	91910	BRACE	LOWER	2
15	10491	SHAFT	DRIVE	1
16	123241	SIDE	MOTOR END; RIGHT	1
17	91909	BRACE	LOWER; COLLECTION CONV.	5
18	123242	SIDE	MOTOR END; LEFT	1
19	5457	IDLER	5" DIA. X 51" LONG; RETURN	5
20	10493	SHAFT	1.7/16" DIA. SNUB	1
21	5450	BUSHING	XTB15 1-7/16	2
22	5456	PULLEY	6"DIAX51"LG SNUB (DRUM)	1
23	123243	SIDE	MID-SECTION	8
24	5458	IDLER	5"DIA X 51"LG FLAT	10
25	91917	BRACE	COLLECTION CONVEYOR	1
26	91911	BRACE	RIGHT LOWER	1
27	91912	BRACE	LEFT LOWER	1
28	91914	BRACE	MID-SECTION	1
29	91913	BRACE	MID-SECTION	1
30	91915	BRACE	RIGHT INLET	1
31	91916	BRACE	LEFT INLET	1
32	3188	BEARING	1.15/16 4-HOLE FLANGE	2
33	123187	SIDE	TAKE-UP; RIGHT	1
34	60936	MOUNT	TAKE-UP BEARING	2
35	91806	TRACK	TAKE-UP	2
36	91805	BRACE	CONVEYOR SUPPORT	2
37	10492	SHAFT	IDLER	1
38	5449	BUSHING	XTB20 1-15/16	2
39	5460	PULLEY	12" DIA. X 51"LG XT WING	1
40	123240	SIDE	TAKE-UP; LEFT	1
41	S4631	ASSEMBLY	48"WD X 102 FT LG. BELT	1
42	4496	RETAINER	FLEXCO R5 LACING PIN	2
43	4583	PIN	FLEXCO R5-48"	1
44	91908	BRACE	UPPER	4
45	61068	BRACE	COLLECTION CONVEYOR	1



1



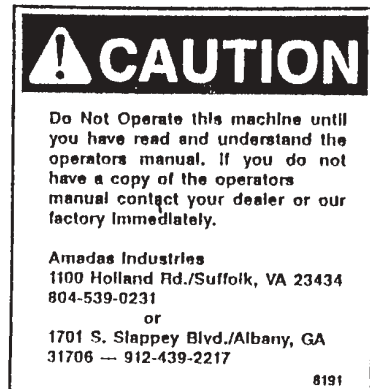
2



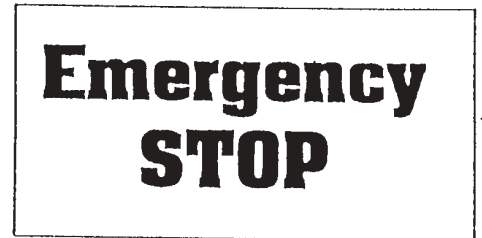
3



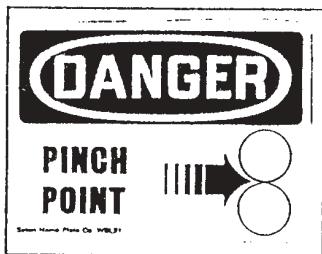
4



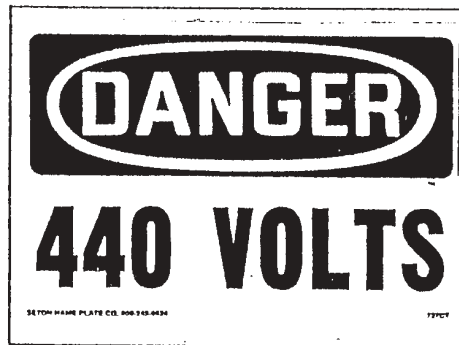
5



6



7



8



9



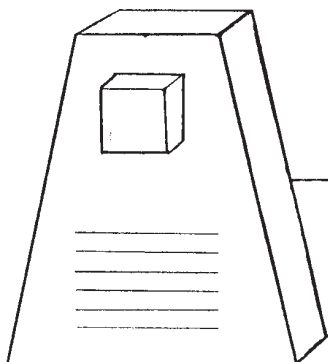
10



11



12



13. DECALS & SAFETY EQUIPMENT

NO.	PART NO.	KEYWORD	DESCRIPTION	NO. REQ'D
1	8179	DECAL	DANGER: DO NO STAND... ..	6
2	8180	DECAL	DANGER: REMOTE OPERATION .....	10
3	8188	DECAL	CAUTION: SHIELDS .....	2
4	8273	DECAL	DANGER: ELECTRICAL HAZARD .....	2
5	8191	DECAL	CAUTION: READ OP.MANUAL .....	1
6	8402	DECAL	EMERGENCY STOP .....	7
7	8421	DECAL	DANGER: PINCH POINT .....	12
8	8422	DECAL	DANGER: 440 VOLTS .....	1
9	8461	DECAL	CAUTION: STRONG MAGNETIC FIELD .....	2
10	8462	DECAL	DANGER: FALLING MATERIAL .....	10
11	8463	DECAL	DANGER: AUTHORIZED PERSONNEL ONLY .....	10
12	8464	DECAL	DANGER: HARD HAT AREA .....	10
13	15899	REMOTE	RADIO TRANSMITTER EMERGENCY CUT-OFF ....	A/R

NUMERICAL PARTS INDEX

PART NO.	PAGE	PART NO.	PAGE	PART NO.	PAGE
G131017	25	123403	9	5461	3
G131046	25	123404	5	5663	3
G220086	25	123405	5	60936	25
G9428644	25	123406	3	60944	19
S4631	25	123407	3	61057	13
S8455	3	123408	19	61058	13
S8468	3	123409	23	61061	5
10491	25	123410	23	61062	5
10492	25	123411	23	61063	5
10493	25	123412	23	61064	5
10539	3	123413	23	61065	5
10540	3	123414	23	61066	5
10541	3	123415	23	61067	5
10542	3	123416	23	61068	25
10543	3	123417	23	61069	3
10544	3	123418	11	61070	21
10545	21	123419	11	61071	21
10546	21	123420	11	61072	13
10547	21	123422	13	61074	21
11136	25	123423	13	61075	21
11252	3	123424	11	6677	25
11253	3	123425	15	70010	3
121965	11, 13	123426	21	7432	21
123187	25	123427	21	8179	27
123235	5	123429	21	8180	27
123236	5	123430	21	8188	27
123240	25	13562	9	8191	27
123241	25	13580	19	8273	27
123242	25	15165	25	8402	27
123243	25	15710	21	8421	27
123244	3	15899	27	8422	27
123245	3	15903	3	8461	27
123246	3	15905	21	8462	27
123247	3	1687	3	8463	7, 27
123267	19	20323	19	8464	27
123268	19	2849	25	91799	3
123269	19	3011	25	91800	3
123270	19	3111	25	91801	3
123271	19	3124	3	91805	25
123272	19	3125	3	91806	25
123274	19	3151	3	91816	5
123275	19	3188	25	91817	5
123276	7	3193	21	91818	5
123282	19	3194	21	91851C	11
123390	13	4283EP	25	91890	9
123391	13	4496	25	91894	9
123392	13	4583	25	91896	5
123393	13	4654	7, 11, 13, 15, 17	91897	5
123394	13	51105	21	91898	5
123395	13	5449	25	91899	5
123396	13	5450	25	91900	5
123397	13	5456	25	91903	5
123398	13	5457	25	91908	25
123399	13	5458	25	91909	25
123401	9	5459	25	91910	25
123402	9	5460	25	91911	25

NUMERICAL PARTS INDEX

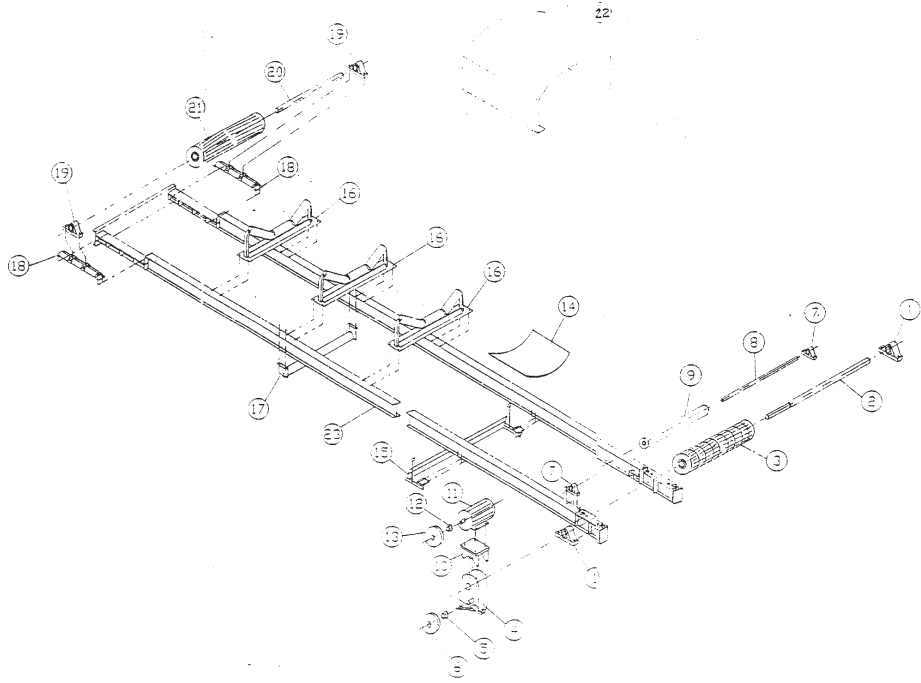
---

PART NO.	PAGE	PART NO.	PAGE	PART NO.	PAGE
91912	25				
91913	25				
91914	25				
91915	25				
91916	25				
91917	25				
91918	7				
91919	7				
91920	3				
91921	3				
91922	3				
91926	9				
91927	11				
91928	11				
91930	11				
91931	11				
91932	11				
91933	11				
91934	11				
91936	13				
91938	13				
91938B	13				
91939	13				
91940	13				
91941	15				
91941B	15				
91942	15				
91943	15				
91945	25				
91946	17				
91947	17				
91948	17				
91949	17				
91950	17				
91951	17				
91952	17				
91953	17				
91954	17				
91955	17				
91956	17				
91957	17				
91958	17				
91959	5				
91960	7				
91964	19				
92026	9				
92097	3				
92098	3				
92104	21				





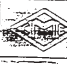




NO	DESCRIPTION
1	5/8" DIA HUBBARD 3500 PS BEARING
2	3/4" DIA HUBBARD 3500 PS BEARING
3	3/4" DIA HUBBARD 3500 PS BEARING
4	3/4" DIA HUBBARD 3500 PS BEARING
5	3/4" DIA HUBBARD 3500 PS BEARING
6	3/4" DIA HUBBARD 3500 PS BEARING
7	3/4" DIA HUBBARD 3500 PS BEARING
8	3/4" DIA HUBBARD 3500 PS BEARING
9	3/4" DIA HUBBARD 3500 PS BEARING
10	3/4" DIA HUBBARD 3500 PS BEARING
11	3/4" DIA HUBBARD 3500 PS BEARING
12	3/4" DIA HUBBARD 3500 PS BEARING
13	3/4" DIA HUBBARD 3500 PS BEARING
14	3/4" DIA HUBBARD 3500 PS BEARING
15	3/4" DIA HUBBARD 3500 PS BEARING
16	3/4" DIA HUBBARD 3500 PS BEARING
17	3/4" DIA HUBBARD 3500 PS BEARING
18	3/4" DIA HUBBARD 3500 PS BEARING
19	3/4" DIA HUBBARD 3500 PS BEARING
20	3/4" DIA HUBBARD 3500 PS BEARING
21	3/4" DIA HUBBARD 3500 PS BEARING
22	3/4" DIA HUBBARD 3500 PS BEARING

**CONFIDENTIAL**  
 1. This document contains information which is classified as CONFIDENTIAL under Executive Order 12812, Section 1.5, and is intended for the use of the recipient only. It is not to be disseminated outside the recipient's organization without the express written approval of the originator.

RELEASE NO. 26-17-100-2


**WALTER W. WOOD CO. INC.**  
 1000 W. WASHINGTON ST.  
 CHICAGO, ILL. 60606  
 TELEPHONE: 312-321-1000  
 FAX: 312-321-1001  
 WWW: WWW.WALTERWOOD.COM

# WARRANTY

## For AMADAS INDUSTRIES Industrial Machinery

### A. General Provisions

AMADAS INDUSTRIES ("Company") warrants that each machine manufactured by it and sold under its trademark shall be free from defects in material and workmanship. The company's sole obligation under this warranty shall be limited to making good, F.O.B. Company factory, any part of its product which under normal and proper use and maintenance proves defective in material and workmanship within six months after delivery to the Buyer provided that notice of such defect and satisfactory proof thereof is promptly given by the Buyer to the Company, with transportation charges prepaid, and Company's examination proves such part to have been defective.

This warranty does not apply in respect to damage to any product or accessory or attachment thereof caused by overloading or other misuse, neglect or accident nor does this warranty apply to any product; or accessory or attachment thereof which shall have been repaired or altered by other than the Company which, in the sole judgement of the Company affects the performance, stability or purpose for which it was manufactured.

With respect to tires, engines, or other trade accessories, the Company makes no warranty whatsoever and the buyer shall rely solely upon the existing warranties, if any, of the respective manufacturers thereof.

### B. Unapproved Service or Modification

All obligations of AMADAS INDUSTRIES under this warranty are terminated if the machinery is modified or altered in ways not approved by AMADAS INDUSTRIES

### C. Owner's Responsibilities

- a. Read the operator's manual before operating the machinery.
- b. Perform all necessary maintenance as described in the operators's manual.
- c. Contact AMADAS INDUSTRIES promptly on any warranty claim.
- d. Sign the AMADAS INDUSTRIES machine delivery form and return promptly as this validates the warranty.

### D. Disclaimer

There are no warranties that extend beyond the description here. **ANY WARRANTIES OF MERCHANTABILITY AND FITNESS FOR ANY PARTICULAR PURPOSE ARE SPECIFICALLY DISCLAIMED AS ARE ALL OTHER REPRESENTATIONS TO THE PURCHASER.** AMADAS INDUSTRIES specifically excludes any liability on behalf of the Company for any incidental or consequential damages including, but not limited to loss of profits, rental of substitute equipment, or other commercial losses. AMADAS INDUSTRIES shall not be responsible for expenses or inconvenience that you might incur or experience with respect to any AMADAS INDUSTRIES Industrial Machinery, nor shall AMADAS INDUSTRIES be liable for defects, damage, or failure caused by improper storage, unreasonable use, or abuse, or accident, including the failure to provide reasonable and specified maintenance. This warranty applies only to the original purchaser of the machinery. Because some states do not allow the exclusion of limitation of incidental or consequential damages, the above limitation may not apply to you. This warranty gives you specific legal rights. You may also have other rights, which vary from state to state. Where there is a conflict between a provision of this warranty and the provision of any state, the state legislation prevails.

**AMADAS**  
INDUSTRIES