

T72x30

1st Edition

CAT154

Beginning Serial #A33677

Owner's Name _____
Dealer's Name _____
Serial Number _____ Model No. _____
Date Purchased _____

TABLE OF CONTENTS

CAT155
1st Edition
April 30, 1997

T72x30

Section	Page
1 Frame Section.....	3
2 Drum Section.....	5
3 Stand Section.....	7
4 Decal Section.....	9
5 Numerical Parts Index.....	10
Warranty	

NOTES

The Terms "Left" and "Right" used in the description of parts are determined by facing the direction of flow of material through the machine.

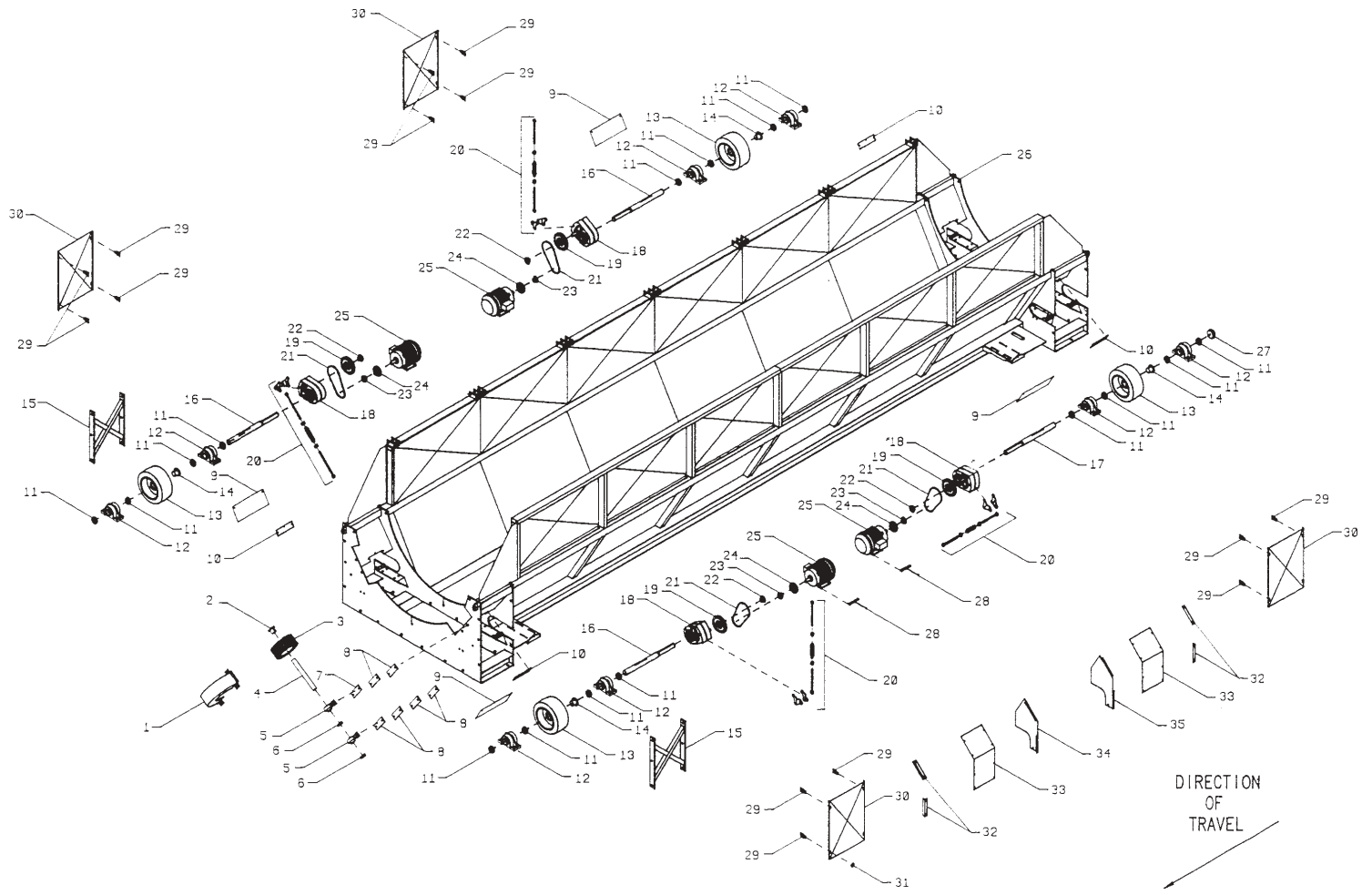
"A/R" found in the "No. Req'd" column denotes "As Required".

"OPT" found in the "No., Req'd" column denotes "Optional".

1100 Holland Road Suffolk, VA 23434 U.S.A.
(757) 539-0231 / Fax - (757) 934-3264

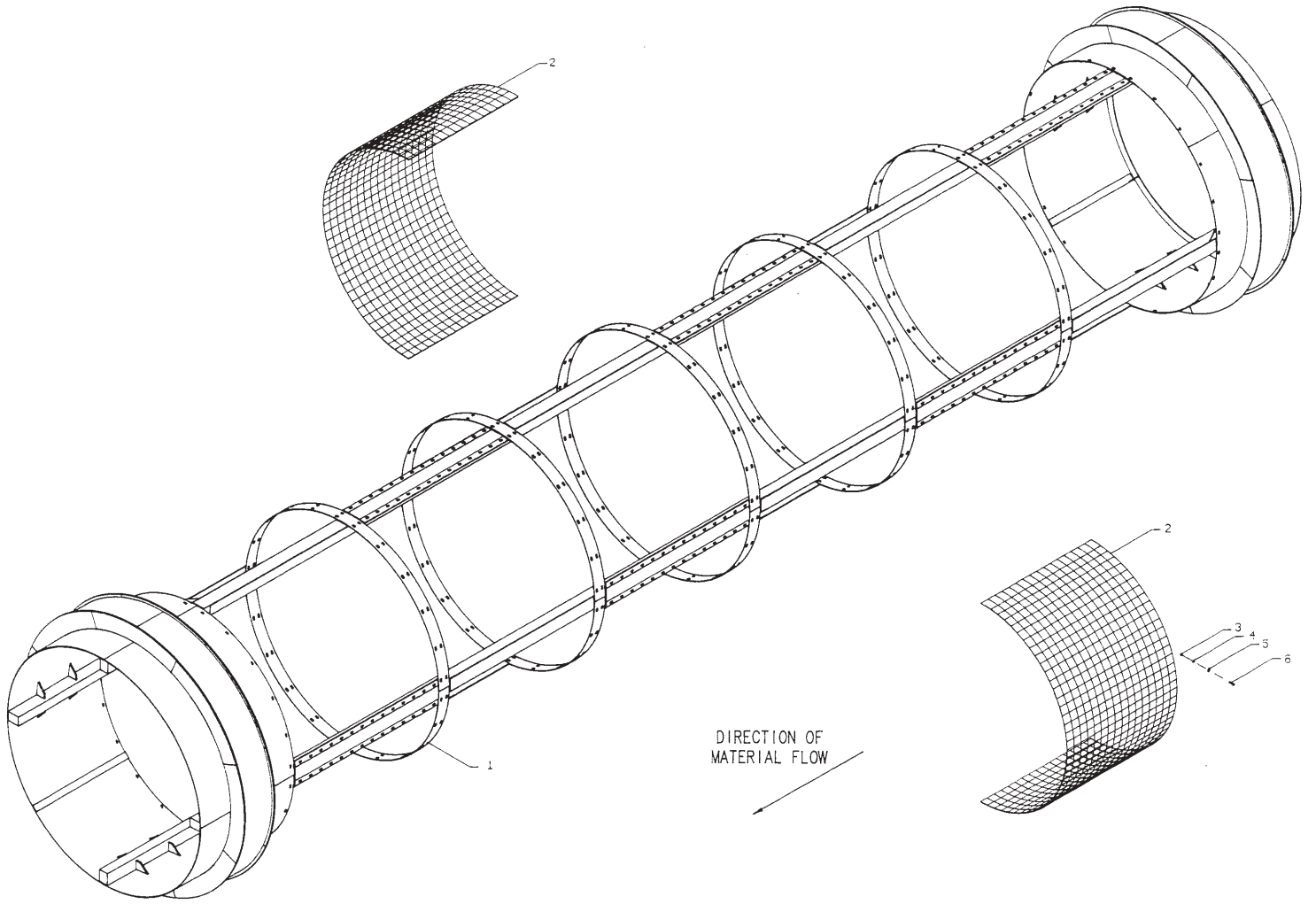
1701 S. Slappey Blvd./P.O. Box 3687 Albany, GA 31706
(912) 439-2217 / Fax (912) 439-9343

A M A D A S
INDUSTRIES



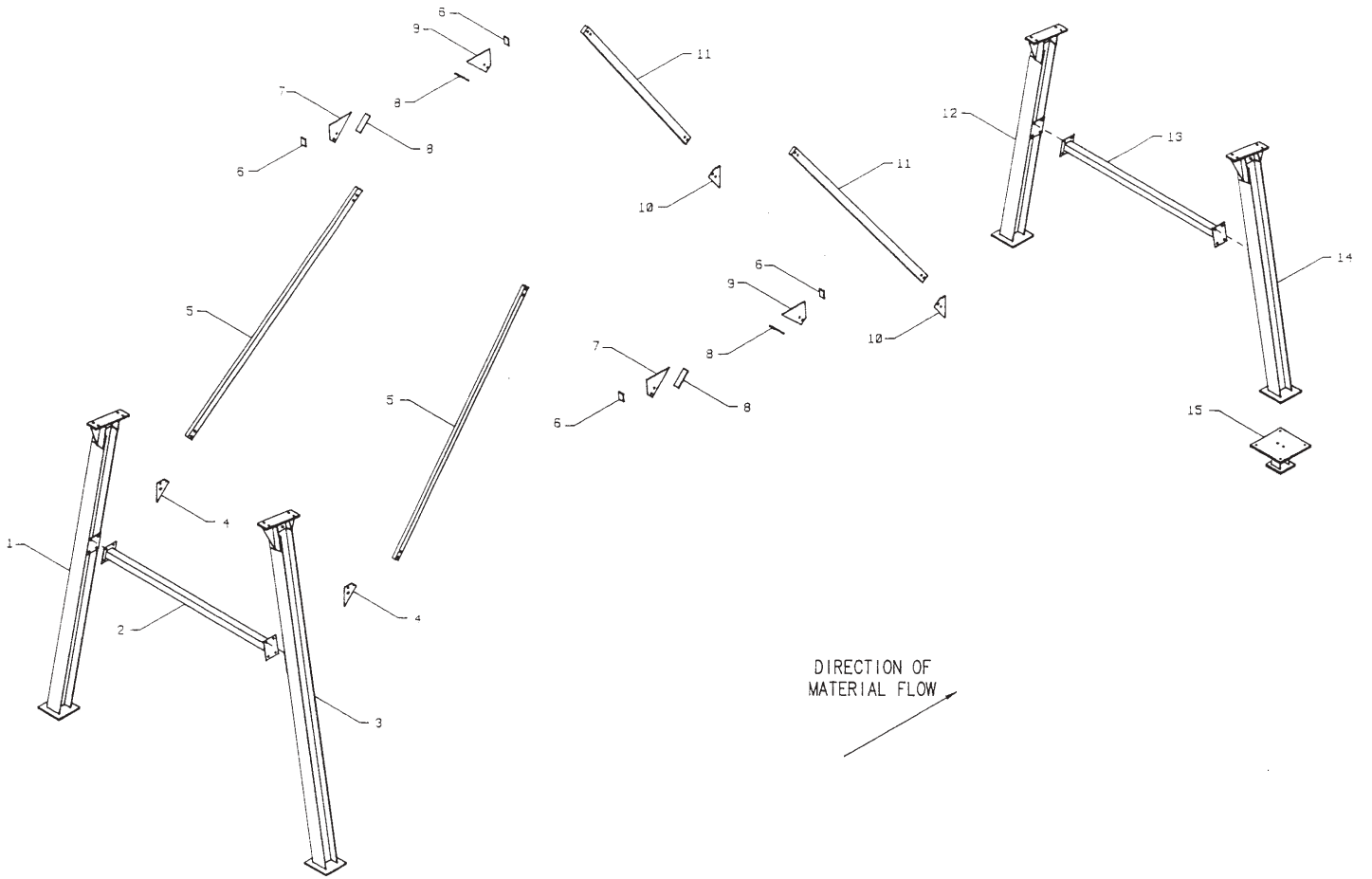
1. FRAME SECTION

NO.	PART NO.	KEYWORD	DESCRIPTION	NO. REQ'D
1	123326	SHIELD	THRUST ROLLER	2
2	5497	BUSHING	Q2 2-3/16	2
3	S80080	ASSEMBLY	18X5X12.1/8 RIM & TIRE	2
4	60919A	SHAFT	THRUST ROLLER	2
5	3192	BEARING	2-3/16 PB; NON-RELUBRICABLE	4
6	3087	COLLAR	2-3/16 ECCENTRIC LOCKING	A/R
7	20311	SPACER	THRUST ROLLER BEARING; 3/8"	2
8	20306	SPACER	THRUST ROLLER BEARING	12
9	123340	SHIELD	WHEEL; LOWER	4
10	123525	COVER	SHIELD PLATE	4
11	3125	COLLAR	2-7/16 ECCENTRIC LOCKING	A/R
12	3151	BEARING	2.7/16 PILLOW BLOCK;ROLLER	8
13	S8451	WHEEL	18X8X12.1/8 TIRE&RIM ASSY	4
14	5461	BUSHING	Q2 2-7/16	4
15	92024	BRACE	CROSS	2
16	10610	SHAFT	DRIVE; T72X30	3
17	10634	SHAFT	DRIVE W/TAPPED HOLE	1
18	11275	GEARBOX	14.88:1;9HP/HELICAL	4
19	5237	SHEAVE	1A8.2B8.6-SDS QD	4
20	11276	TURNBUCKLE	3/4" (USED W/11275)	A/R
21	B42	BELT	B42 V-BELT	4
22	11274	BUSHING	SDS X 1-1/4-KW QD	4
23	11273	BUSHING	SDS X 1-3/8-KW QD	4
24	5236	SHEAVE	1A6.0B6.4-SDS QD	4
25	15926	MOTOR	7.5/3P/460/1800/213T/TEFC	4
26	92677	FRAME	T72X30 TROMMEL W/5'SCREEN	1
27	80097	HUBODOMETR	TAMPER PROOF 500,000 ML W	1
28	61231	ADJUSTER	MOTOR	4
29	124562	MOUNT	WHEEL SHIELD	16
30	124561	SHIELD	WHEEL	4
31	1400	PIN	LYNCH, 1/4" STANDARD	16
32	124564	MOUNT	DRIVE SHIELD	4
33	124569	SHIELD	DRIVE	2
34	124563	SHIELD	DRIVE; RIGHT	1
35	124568	SHIELD	DRIVE; LEFT	1



2. DRUM SECTION

NO.	PART NO.	KEYWORD	DESCRIPTION	NO. REQ'D
1	92674	DRUM	TROMMEL; T72X30	1
2	13688	SCREEN	3/8" OPENING; ROLLED	A/R
--	13693	SCREEN	1.1/4 OPENING; ROLLED	A/R
--	13695	SCREEN	3" SQ.;ROLLED	A/R
3	G120377	NUT	3/8-16 USS	624
4	G120382	LOCKWASHER	3/8	624
5	122711	WASHER	SCREEN	624
6	G126402	BOLT	3/8-16X1-1/4 CARRIAGE	624



3. STAND SECTION

NO.	PART NO.	KEYWORD	DESCRIPTION	NO. REQ'D
1	92683	LEG	TROMMEL STAND; LEFT INFEED	1
2	92356	BRACE	TROMMEL STAND; FRONT	1
3	92682	LEG	TROMMEL STAND; RIGHT INFEED	1
4	92359	MOUNT	CROSSBRACE; FRONT	2
5	92383	BRACE	CROSS; FRONT	2
6	92245K	GUSSET	FRAME BRACE	4
7	92245G	PLATE	CROSSBRACE TROMMEL; REAR	2
8	92245J	GUSSET	FRAME BRACE	4
9	92245H	PLATE	CROSSBRACE TROMMEL; FRONT	2
10	92360	MOUNT	CROSSBRACE; REAR	2
11	92384	BRACE	CROSS; REAR	2
12	92681	LEG	TROMMEL STAND; LEFT OUTLET	1
13	92355	BRACE	TROMMEL STAND; REAR	1
14	92680	LEG	TROMMEL STAND; RIGHT OUTLET	1
15	92380	PAD	FOOT	OPT

⚠ CAUTION

Do Not Operate this machine until you have read and understand the operators manual. If you do not have a copy of the operators manual contact your dealer or our factory immediately.

Amadas Industries
1100 Holland Rd./Suffolk, VA 23434
804-539-0231
or
1701 S. Slappey Blvd./Albany, GA
31706 — 912-439-2217

8191

← 1

DANGER

PINCH POINT



Savin Home Print Co. WBL21

← 2

⚠ WARNING

Do Not Operate unless all Safety Shields & Guards are in place.

8547

← 3

4. DECAL SECTION

NO.	PART NO.	KEYWORD	DESCRIPTION	NO. REQ'D
1	8191	DECAL	CAUTION: READ OPERATOR'S MANUAL	2
2	8421	DECAL	DANGER: PINCH POINT	8
3	8547	DECAL	DO NOT OPERATE...SHIELDS	6

NUMERICAL PARTS INDEX

PART NO.	PAGE	PART NO.	PAGE	PART NO.	PAGE
B42	3	92677	3		
G120377	5	92680	7		
G120382	5	92681	7		
G126402	5	92682	7		
S80080	3	92683	7		
S8451	3				
10610	3				
10634	3				
11273	3				
11274	3				
11275	3				
11276	3				
122711	5				
123326	3				
123340	3				
123525	3				
124561	3				
124562	3				
124563	3				
124564	3				
124568	3				
124569	3				
13688	5				
13693	5				
13695	5				
1400	3				
15926	3				
20306	3				
20311	3				
3087	3				
3125	3				
3151	3				
3192	3				
5236	3				
5237	3				
5461	3				
5497	3				
60919A	3				
61231	3				
80097	3				
8191	9				
8421	9				
8547	9				
92024	3				
92245G	7				
92245H	7				
92245J	7				
92245K	7				
92355	7				
92356	7				
92359	7				
92360	7				
92380	7				
92383	7				
92384	7				
92674	5				

WARRANTY

For AMADAS INDUSTRIES Industrial Machinery

A. General Provisions

AMADAS INDUSTRIES ("Company") warrants that each machine manufactured by it and sold under its trademark shall be free from defects in material and workmanship. The company's sole obligation under this warranty shall be limited to making good, F.O.B. Company factory, any part of its product which under normal and proper use and maintenance proves defective in material and workmanship within six months after delivery to the Buyer provided that notice of such defect and satisfactory proof thereof is promptly given by the Buyer to the Company, with transportation charges prepaid, and Company's examination proves such part to have been defective.

This warranty does not apply in respect to damage to any product or accessory or attachment thereof caused by overloading or other misuse, neglect or accident nor does this warranty apply to any product, or accessory or attachment thereof which shall have been repaired or altered by other than the Company which, in the sole judgement of the Company affects the performance, stability or purpose for which it was manufactured.

With respect to tires, engines, or other trade accessories, the Company makes no warranty whatsoever and the buyer shall rely solely upon the existing warranties, if any, of the respective manufacturers thereof.

B. Unapproved Service or Modification

All obligations of AMADAS INDUSTRIES under this warranty are terminated if the machinery is modified or altered in ways not approved by AMADAS INDUSTRIES

C. Owner's Responsibilities

- a. Read the operator's manual before operating the machinery.
- b. Perform all necessary maintenance as described in the operators's manual.
- c. Contact AMADAS INDUSTRIES promptly on any warranty claim.
- d. Sign the AMADAS INDUSTRIES machine delivery form and return promptly as this validates the warranty.

D. Disclaimer

There are no warranties that extend beyond the description here. **ANY WARRANTIES OF MERCHANTABILITY AND FITNESS FOR ANY PARTICULAR PURPOSE ARE SPECIFICALLY DISCLAIMED AS ARE ALL OTHER REPRESENTATIONS TO THE PURCHASER.** AMADAS INDUSTRIES specifically excludes any liability on behalf of the Company for any incidental or consequential damages including, but not limited to loss of profits, rental of substitute equipment, or other commercial losses. AMADAS INDUSTRIES shall not be responsible for expenses or inconvenience that you might incur or experience with respect to any AMADAS INDUSTRIES Industrial Machinery, nor shall AMADAS INDUSTRIES be liable for defects, damage, or failure caused by improper storage, unreasonable use, or abuse, or accident, including the failure to provide reasonable and specified maintenance. This warranty applies only to the original purchaser of the machinery. Because some states do not allow the exclusion of limitation of incidental or consequential damages, the above limitation may not apply to you. This warranty gives you specific legal rights. You may also have other rights, which vary from state to state. Where there is a conflict between a provision of this warranty and the provision of any state, the state legislation prevails.

A M A D A S
INDUSTRIES