

# T72x20 KI

1st Edition

CAT155

Beginning Serial #A34821

---

Owner's Name \_\_\_\_\_

Dealer's Name \_\_\_\_\_

Serial Number \_\_\_\_\_ Model No. \_\_\_\_\_

Date Purchased \_\_\_\_\_

# TABLE OF CONTENTS

CAT155  
1st Edition  
April 30, 1997

## T72x20 KI

Section	Page
1 Frame Section.....	3
2 Drum Section.....	5
3 Stand Section I.....	7
4 Stand Section II.....	9
5 Decal Section.....	11
Numerical Parts Index.....	12
Warranty	

### NOTES

The Terms "Left" and "Right" used in the description of parts are determined by facing the direction of flow of material through the machine.

"A/R" found in the "No. Req'd" column denotes "As Required".

"OPT" found in the "No., Req'd" column denotes "Optional".

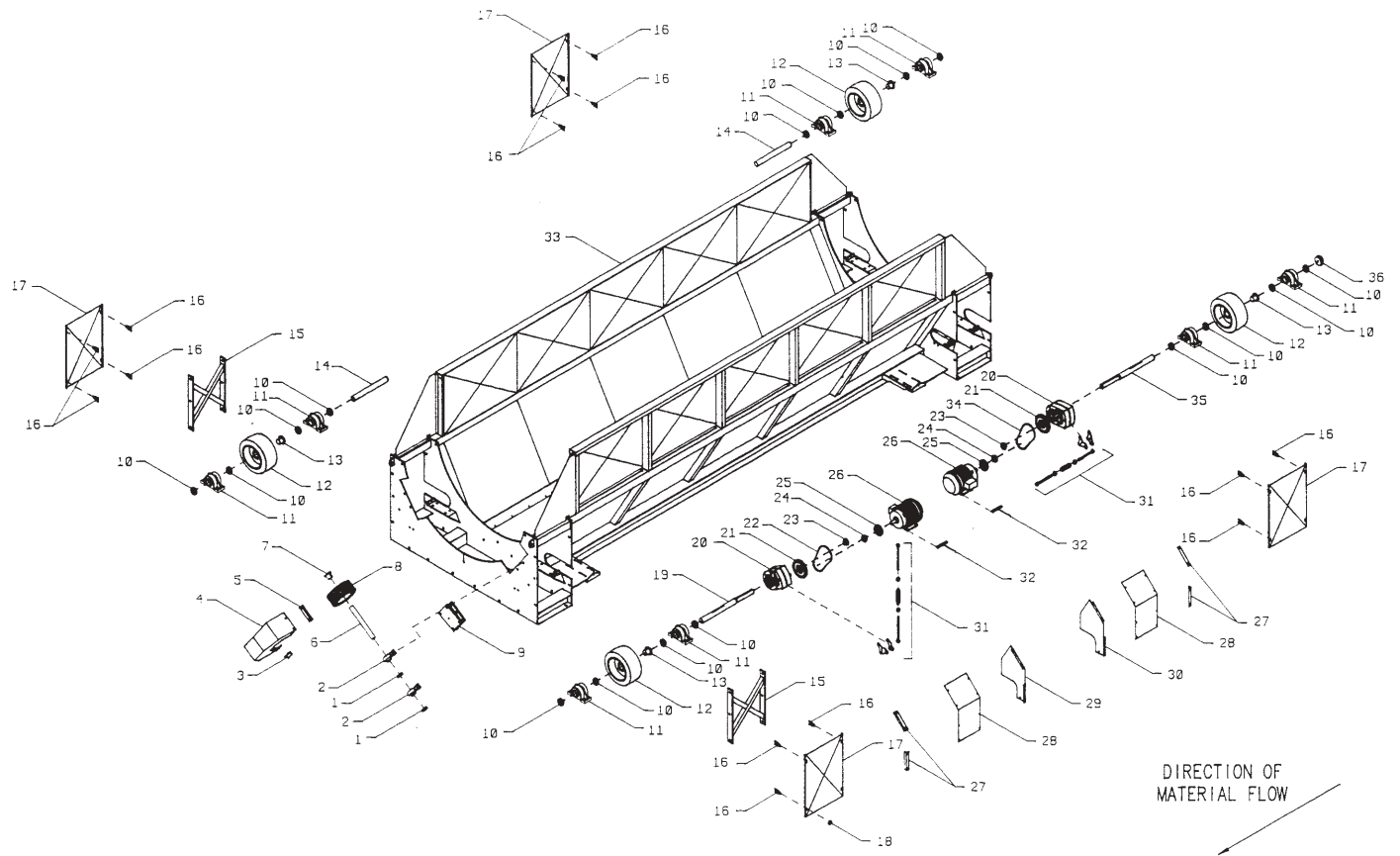
---

1100 Holland Road Suffolk, VA 23434 U.S.A.  
(757) 539-0231 / Fax - (757) 934-3264

1701 S. Slappey Blvd./P.O. Box 3687 Albany, GA 31706  
(912) 439-2217 / Fax (912) 439-9343

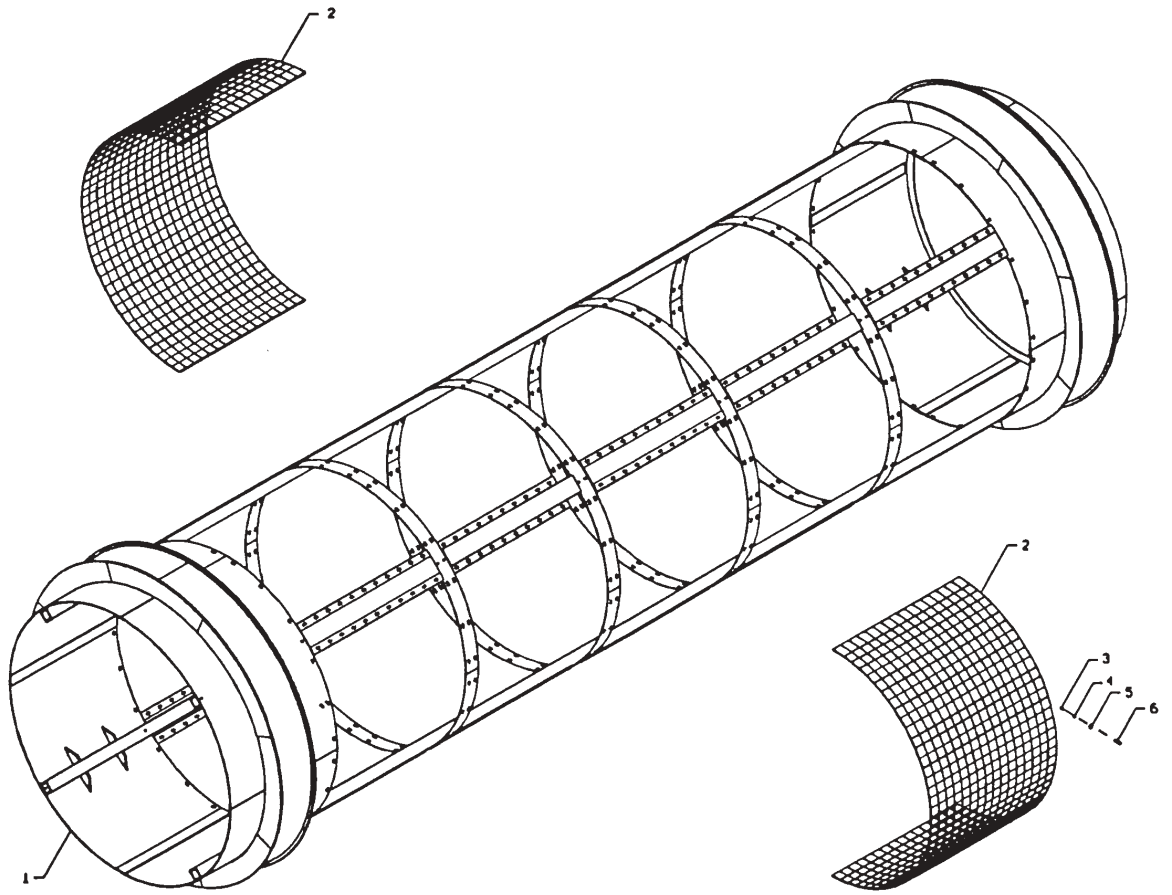
**A M A D A S**  
INDUSTRIES

PAGE 2



1. FRAME SECTION

NO.	PART NO.	KEYWORD	DESCRIPTION	NO. REQ'D
1	3087	COLLAR	2-3/16 ECCENTRIC LOCKING .....	A/R
2	3192	BEARING	2-3/16 PILLOW BLOCK; NON-RELUBRICABLE ..	4
3	124567	MOUNT	SHORT; REACTION WHEEL SHIELD .....	4
4	124565	SHIELD	REACTION WHEEL .....	2
5	124566	MOUNT	LONG; REACTION WHEEL SHIELD .....	4
6	60919A	SHAFT	THRUST ROLLER; 18.0 LG .....	2
7	5497	BUSHING	Q2 2-3/16 .....	2
8	S80080	ASSEMBLY	18X5X12.1/8 RIM & TIRE .....	2
9	92892	MOUNT	THRUST WHEEL BEARING .....	2
10	3125	COLLAR	2-7/16 ECCENTRIC LOCKING .....	A/R
11	3151	BEARING	2.7/16 PILLOW BLOCK; ROLLER .....	8
12	S8494	WHEEL	18X8X12.1/8 TIRE & WHEEL ASSEMBLY .....	4
13	5461	BUSHING	Q2 2-7/16 .....	4
14	10514	SHAFT	ROLLER IDLER .....	2
15	92024	BRACE	CROSS .....	2
16	124562	MOUNT	WHEEL SHIELD .....	16
17	124561	SHIELD	WHEEL .....	4
18	1400	PIN	LYNCH, 1/4" STANDARD .....	16
19	10610	SHAFT	DRIVE .....	1
20	11275	GEARBOX	14.88:1;9HP/HELICAL .....	2
21	5237	SHEAVE	1A8.2B8.6-SDS QD .....	2
22	B42	BELT	B42 V-BELT .....	1
23	11274	BUSHING	SDS X 1-1/4-KW QD .....	2
24	11273	BUSHING	SDS X 1-3/8-KW QD .....	2
25	5236	SHEAVE	1A6.0B6.4-SDS QD .....	2
26	15926	MOTOR	7.5/3P/460/1800/213T/TEFC .....	2
27	124564	MOUNT	DRIVE SHIELD .....	4
28	124569	SHIELD	DRIVE .....	2
29	124563	SHIELD	DRIVE; RIGHT .....	1
30	124568	SHIELD	DRIVE; LEFT .....	1
31	11276	TURNBUCKLE	3/4" (USED W/11275) .....	A/R
32	61231	ADJUSTER	MOTOR .....	2
33	92938	FRAME	T72X20KI TROMMEL .....	1
34	B46	BELT	B46 V-BELT .....	1
35	10634	SHAFT	DRIVE W/TAPPED HOLE .....	1
36	80097	HUBODOMETR	TAMPER PROOF 500,000 MILE .....	1



SAVED AS T72VV-2

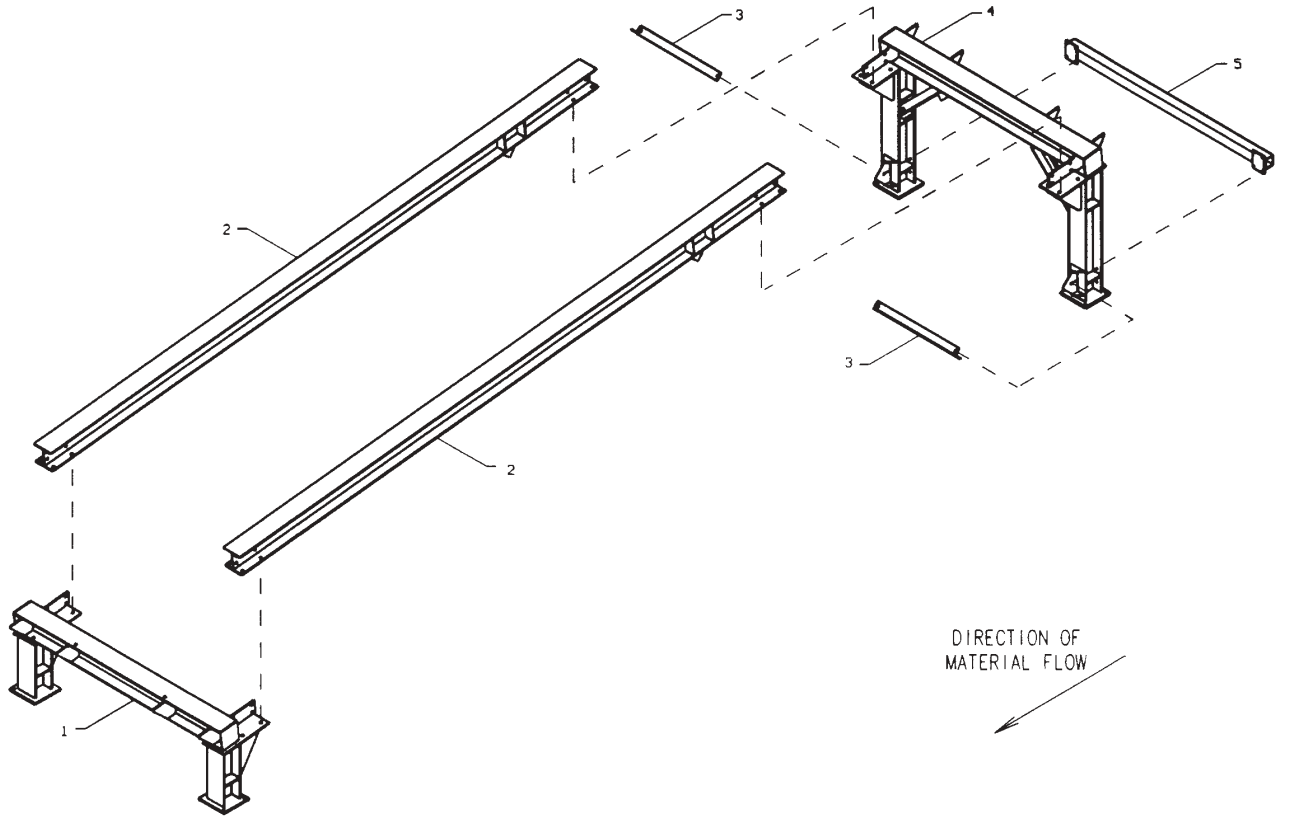
T72X20 W. VA. MULCH

SCALE: 3/64=1

LHM 9/26/94

2. DRUM SECTION

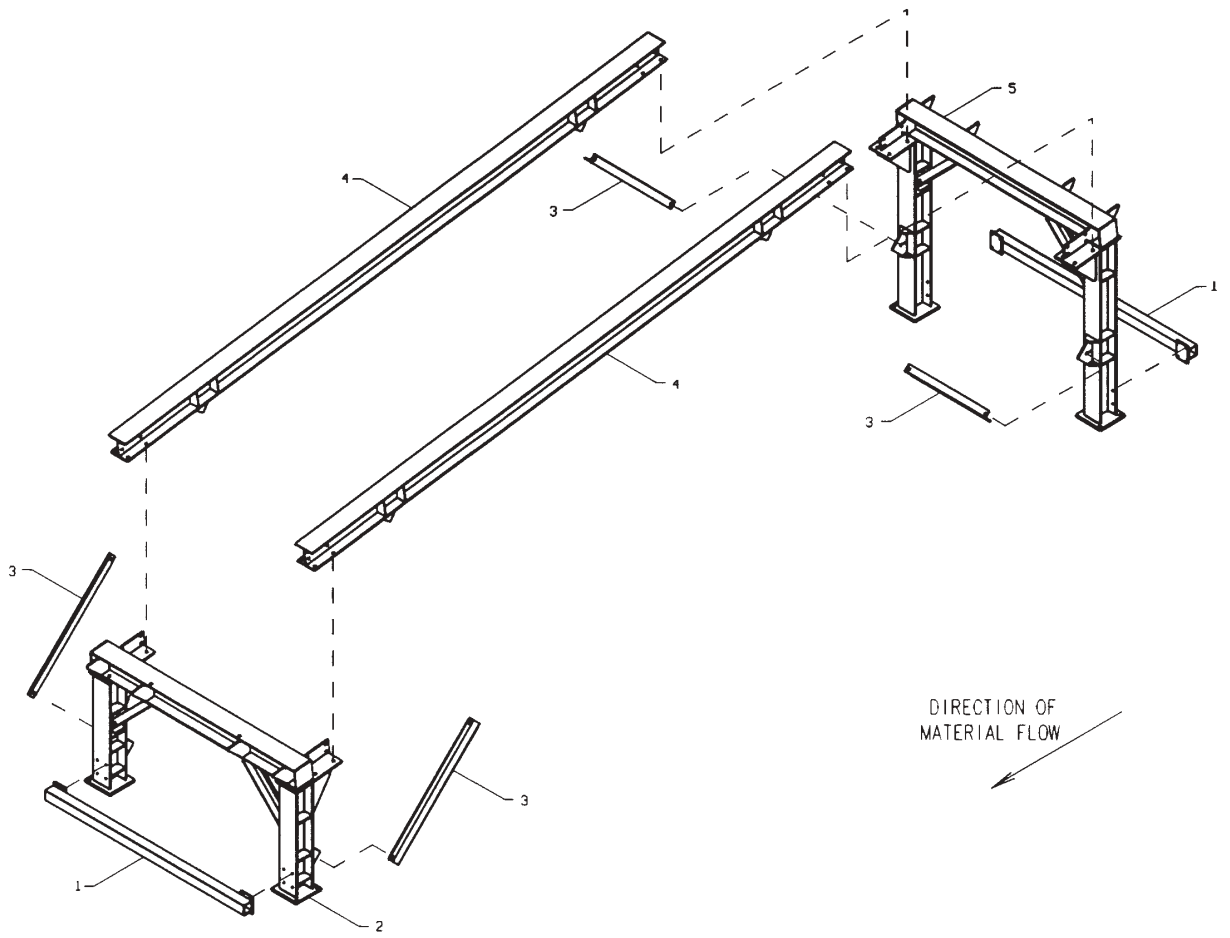
NO.	PART NO.	KEYWORD	DESCRIPTION	NO. REQ'D
1	92282	DRUM	TROMMEL; T72X20 .....	1
2	13718	SCREEN	3/4 DIA. HOLES; ROLLED .....	A/R
--	13719	SCREEN	3/4 DIA. X 2 LG. SLOTS; ROLLED .....	A/R
3	G120377	NUT	3/8-16 USS .....	460
4	G120382	LOCKWASHER	3/8 .....	460
5	122711	WASHER	SCREEN .....	460
6	G126402	BOLT	3/8-16X1-1/4 CARRIAGE .....	460



3. STAND SECTION I

NO.	PART NO.	KEYWORD	DESCRIPTION	NO. REQ'D
1	92954	STAND	2' .....	1
2	92952	SUPPORT	TROMMEL; REAR .....	2
3	92950	BRACE	STAND; 55" .....	2
4	92953	STAND	5' .....	1
5	92946	MOUNT	CONVEYOR .....	1





4. STAND SECTION II

NO.	PART NO.	KEYWORD	DESCRIPTION	NO. REQ'D
1	92946	MOUNT	CONVEYOR .....	2
2	92949	STAND	3'-9" .....	1
3	92950	BRACE	STAND; 55" .....	4
4	92951	SUPPORT	TROMMEL; FRONT .....	2
5	92947	STAND	6'-10" .....	1

**⚠ CAUTION**

Do Not Operate this machine until you have read and understand the operators manual. If you do not have a copy of the operators manual contact your dealer or our factory Immediately.

Amadas Industries  
1100 Holland Rd./Suffolk, VA 23434  
804-539-0231  
or  
1701 S. Slappey Blvd./Albany, GA  
31706 - 912-439-2217 8191

1

**DANGER**

**PINCH POINT**

A diagram illustrating a pinch point hazard. It features two circles representing the ends of a pair of jaws or shears. A thick black arrow points from the left towards the space between the two circles. To the left of the arrow are three vertical bars of varying lengths, indicating the direction of force or the location of the hazard.

2

**⚠ WARNING**

Do Not Operate unless all Safety Shields & Guards are in place. 8547

3

5. DECAL SECTION

NO.	PART NO.	KEYWORD	DESCRIPTION	NO. REQ'D
1	8191	DECAL	CAUTION: READ OPERATOR'S MANUAL .....	2
2	8421	DECAL	DANGER: PINCH POINT .....	8
3	8547	DECAL	DO NOT OPERATE...SHIELDS .....	6

NUMERICAL PARTS INDEX

PART NO.	PAGE	PART NO.	PAGE	PART NO.	PAGE
B42	3				
B46	3				
G120377	5				
G120382	5				
G126402	5				
S80080	3				
S8494	3				
10514	3				
10610	3				
10634	3				
11273	3				
11274	3				
11275	3				
11276	3				
122711	5				
124561	3				
124562	3				
124563	3				
124564	3				
124565	3				
124566	3				
124567	3				
124568	3				
124569	3				
13718	5				
13719	5				
1400	3				
15926	3				
3087	3				
3125	3				
3151	3				
3192	3				
5236	3				
5237	3				
5461	3				
5497	3				
60919A	3				
61231	3				
80097	3				
8191	11				
8421	11				
8547	11				
92024	3				
92282	5				
92892	3				
92938	3				
92946	7,09				
92947	9				
92949	9				
92950	7,09				
92951	9				
92952	7				
92953	7				
92954	7				

# WARRANTY

## For AMADAS INDUSTRIES Industrial Machinery

### A. General Provisions

AMADAS INDUSTRIES ("Company") warrants that each machine manufactured by it and sold under its trademark shall be free from defects in material and workmanship. The company's sole obligation under this warranty shall be limited to making good, F.O.B. Company factory, any part of its product which under normal and proper use and maintenance proves defective in material and workmanship within six months after delivery to the Buyer provided that notice of such defect and satisfactory proof thereof is promptly given by the Buyer to the Company, with transportation charges prepaid, and Company's examination proves such part to have been defective.

This warranty does not apply in respect to damage to any product or accessory or attachment thereof caused by overloading or other misuse, neglect or accident nor does this warranty apply to any product, or accessory or attachment thereof which shall have been repaired or altered by other than the Company which, in the sole judgement of the Company affects the performance, stability or purpose for which it was manufactured.

With respect to tires, engines, or other trade accessories, the Company makes no warranty whatsoever and the buyer shall rely solely upon the existing warranties, if any, of the respective manufacturers thereof.

### B. Unapproved Service or Modification

All obligations of AMADAS INDUSTRIES under this warranty are terminated if the machinery is modified or altered in ways not approved by AMADAS INDUSTRIES

### C. Owner's Responsibilities

- a. Read the operator's manual before operating the machinery.
- b. Perform all necessary maintenance as described in the operators's manual.
- c. Contact AMADAS INDUSTRIES promptly on any warranty claim.
- d. Sign the AMADAS INDUSTRIES machine delivery form and return promptly as this validates the warranty.

### D. Disclaimer

There are no warranties that extend beyond the description here. **ANY WARRANTIES OF MERCHANTABILITY AND FITNESS FOR ANY PARTICULAR PURPOSE ARE SPECIFICALLY DISCLAIMED AS ARE ALL OTHER REPRESENTATIONS TO THE PURCHASER.** AMADAS INDUSTRIES specifically excludes any liability on behalf of the Company for any incidental or consequential damages including, but not limited to loss of profits, rental of substitute equipment, or other commercial losses. AMADAS INDUSTRIES shall not be responsible for expenses or inconvenience that you might incur or experience with respect to any AMADAS INDUSTRIES Industrial Machinery, nor shall AMADAS INDUSTRIES be liable for defects, damage, or failure caused by improper storage, unreasonable use, or abuse, or accident, including the failure to provide reasonable and specified maintenance. This warranty applies only to the original purchaser of the machinery. Because some states do not allow the exclusion of limitation of incidental or consequential damages, the above limitation may not apply to you. This warranty gives you specific legal rights. You may also have other rights, which vary from state to state. Where there is a conflict between a provision of this warranty and the provision of any state, the state legislation prevails.

**AMADAS**  
INDUSTRIES