

T96x30 Trommel Screening Unit

1st Edition

CAT162

Beginning Serial #A35602

Owner's Name _____
Dealer's Name _____
Serial Number _____ Model No. _____
Date Purchased _____

TABLE OF CONTENTS

CAT162
1st Edition
July 1, 1997

T96x30 Trommel Screening Unit

Section	Page
1 Frame Assembly.....	3
2 Drum and Drum Extension Assembly.....	5
3 Stand Assembly.....	7
4 Brush Assembly.....	9
5 Decals.....	11
6 Electrical Wiring Diagram.....	12
7 T96x30 Specification Drawing.....	13
Numerical Parts Index.....	14
Warranty	

NOTES

The Terms "Left" and "Right" used in the description of parts are determined by facing the direction of flow of material through the machine.

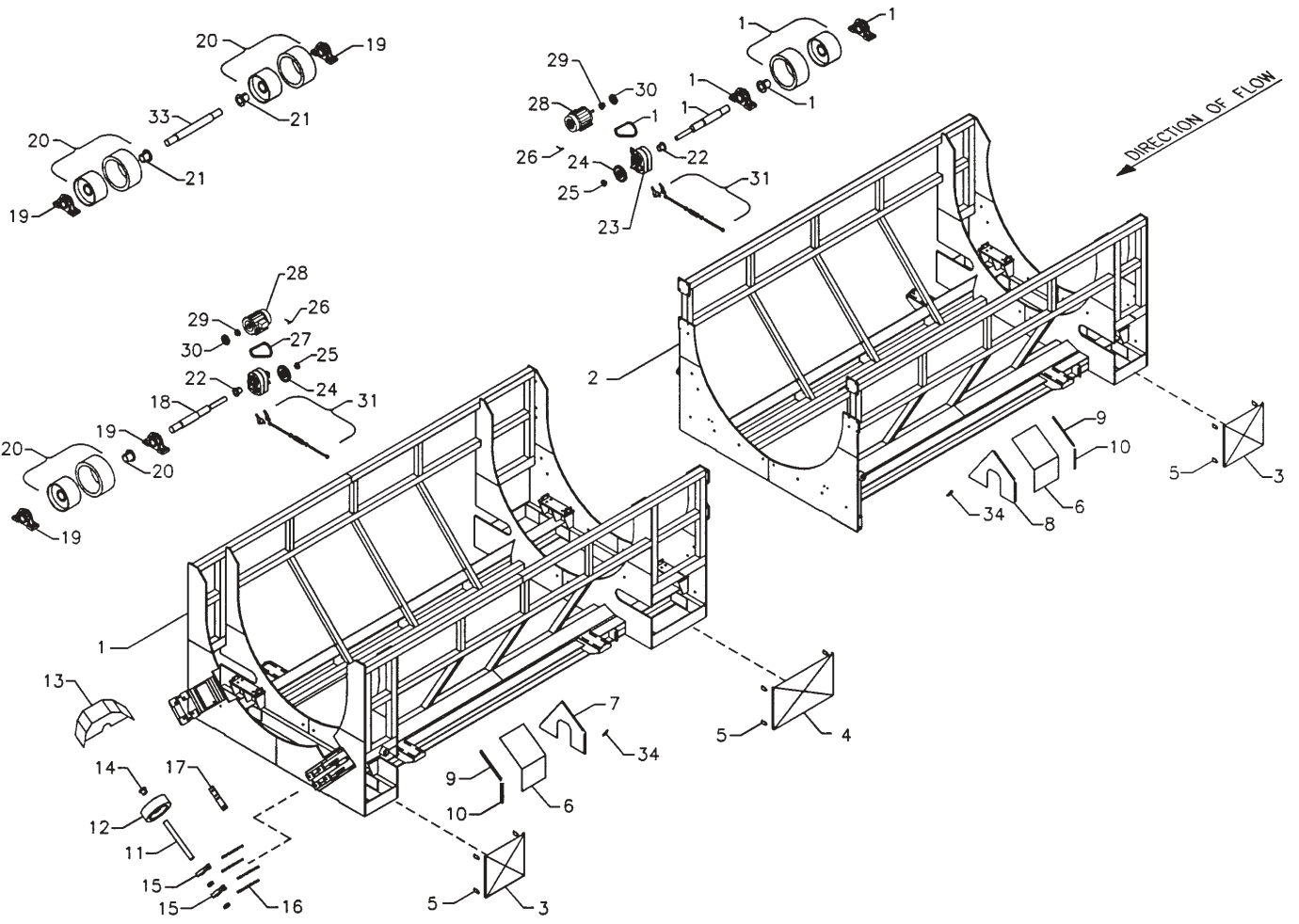
"A/R" found in the "No. Req'd" column denotes "As Required".

"OPT" found in the "No., Req'd" column denotes "Optional".

1100 Holland Road Suffolk, VA 23434 U.S.A.
(757) 539-0231 / Fax - (757) 934-3264

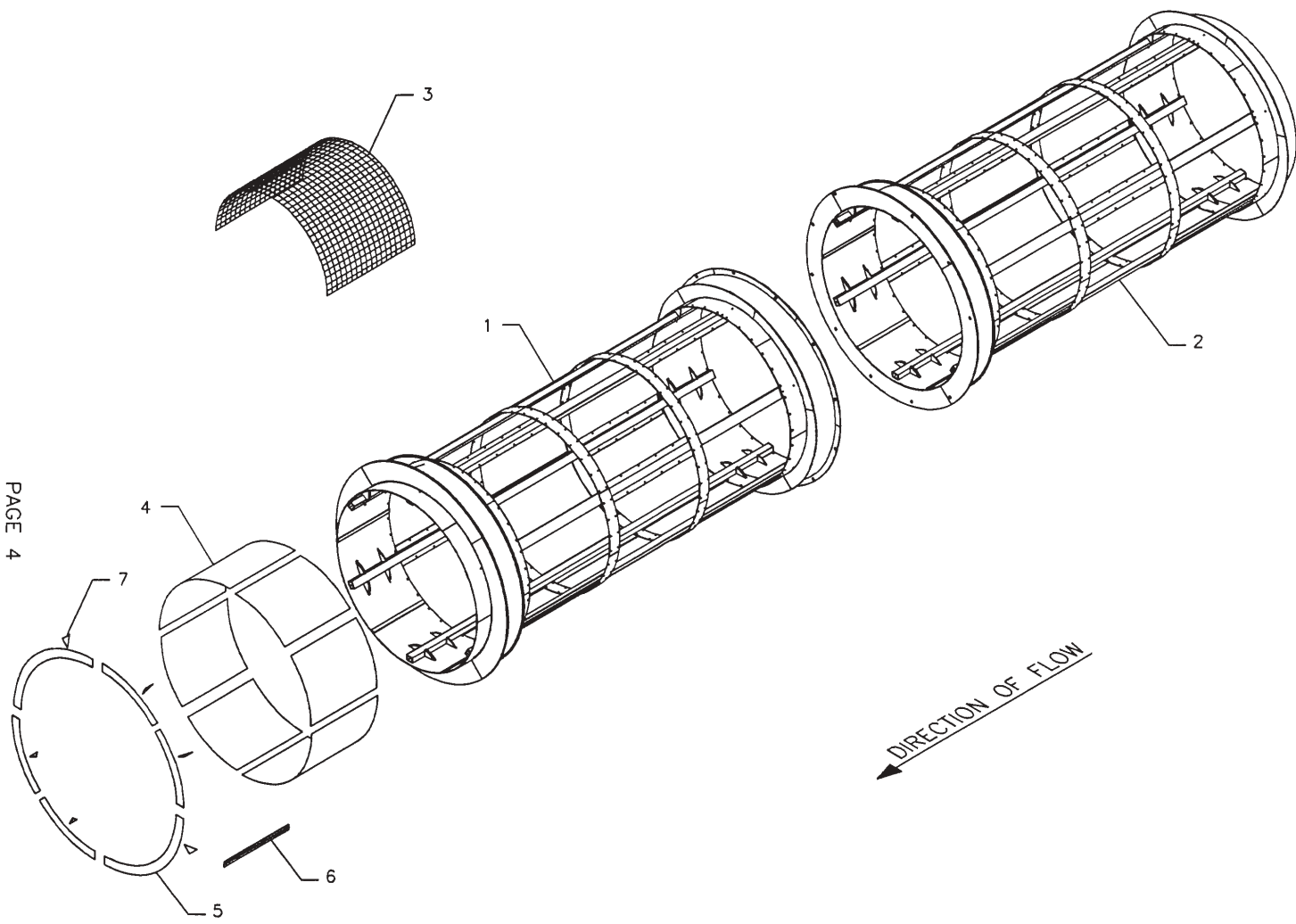
1701 S. Slappey Blvd./P.O. Box 3687 Albany, GA 31706
(912) 439-2217 / Fax (912) 439-9343

AMADAS
INDUSTRIES



1. FRAME ASSEMBLY

NO.	PART NO.	KEYWORD	DESCRIPTION	NO. REQ'D
--	T96X30	TROMMEL	96" DIA. X 30' LONG UNIT	A/R
1	92334	FRAME	OUTLET	1
2	92995	FRAME	INLET	1
--	70295	KIT	T96X30 SHIELD	
3	124806	SHIELD	DRUM WHEEL; SHORT	4
4	124807	SHIELD	DRUM WHEEL; LONG	2
5	124562	MOUNT	WHEEL SHIELD	24
6	124808	SHIELD	MOTOR MT'G	4
7	124809	PLATE	MOTOR MT'G END; RIGHT	2
8	124810	PLATE	MOTOR MT'G END; LEFT	2
9	124811	ANGLE	MOTOR MT'G END; LONG	4
10	124812	ANGLE	MOTOR MT'G END; SHORT	4
11	10544	SHAFT	THRUST ROLLER	2
12	S80080	ASSEMBLY	18X5X12.1/8 RIM & TIRE	2
13	124855	SHIELD	THRUST WHEEL; T96X30	2
14	5663	BUSHING	Q1 2-7/16	2
15	3124	BEARING	2-7/16 PILLOW BLOCK	4
16	1745	ROD	THRUST WHEEL MOUNT	8
17	92098	MOUNT	THRUST ROLLER	2
--	70293	KIT	T96X30 DRIVE	
18	10563	SHAFT	DRIVE, SHORT	4
19	3203	BEARING	3.7/16 PB KP5307-F	12
20	S80121	ASSEMBLY	DRIVE WHEEL, T96	8
21	20396	BUSHING	S1-3.15/16	8
22	20420	BUSHING	2-3/16" TWIN TAPERED	4
23	11275	GEARBOX	14.88:1;9HP/HELICAL	4
24	51191	SHEAVE	9.4 PITCH DIA. (B-BELT) SDS	4
25	11274	BUSHING	SDS X 1-1/4-KW QD	4
26	61231	ADJUSTER	MOTOR	4
27	B45	BELT	B45 V-BELT	2
28	15926	MOTOR	7.5/3P/460/1800/213T/TEFC	4
29	11273	BUSHING	SDS X 1-3/8-KW QD	4
30	51190	SHEAVE	5.6 PITCH DIA. (B-BELT) SDS	4
31	11276	TURNBUCKLE	3/4" (USED W/11275)	4
32	B42	BELT	B42 V-BELT	2
33	10685	SHAFT	IDLER; T96X30	2
34	124854	ANGLE	MOTOR/GEARBOX MOUNTING; SHORT	4

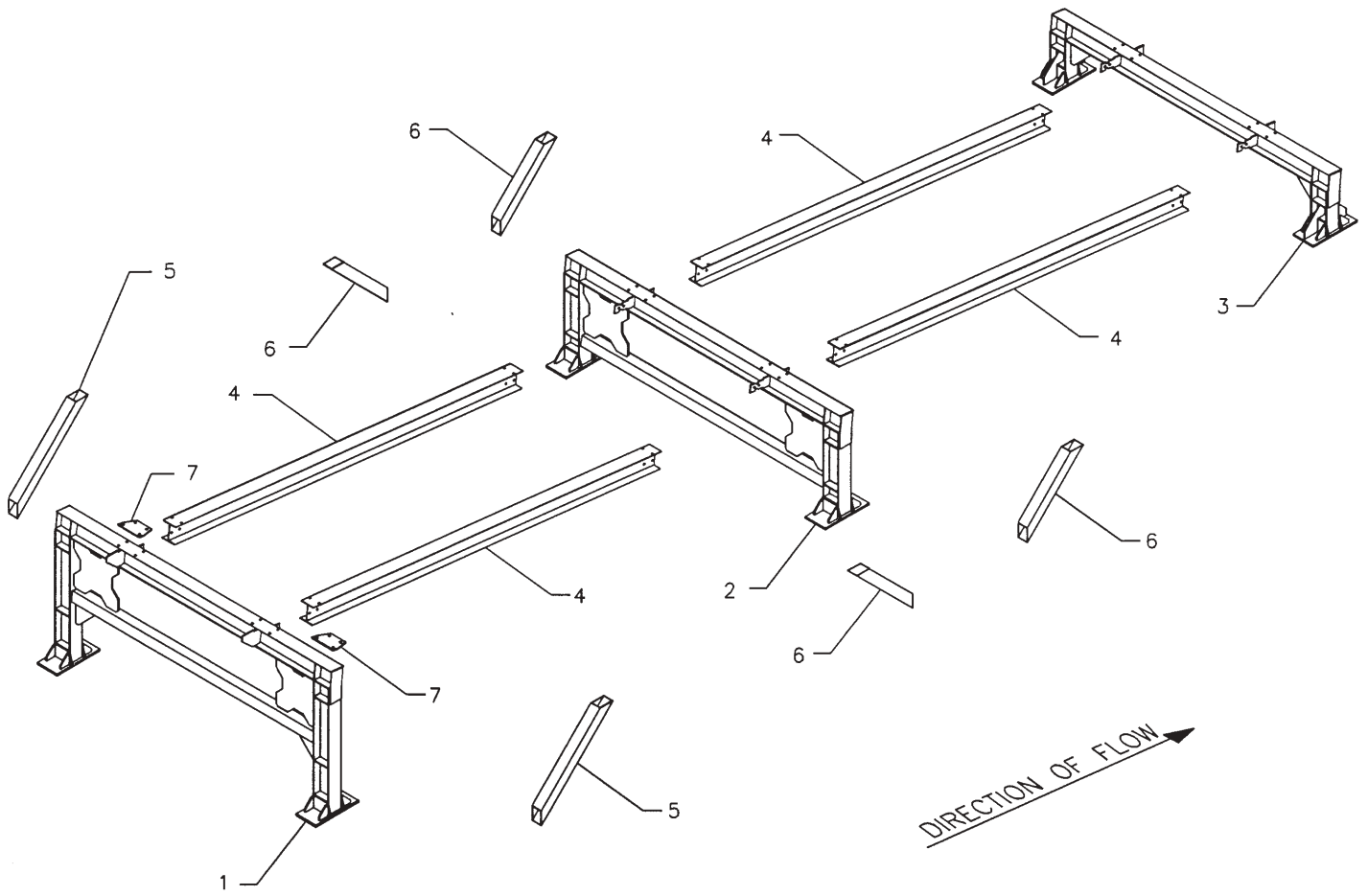


PAGE 4

2. DRUM AND DRUM EXTENSION ASSEMBLY

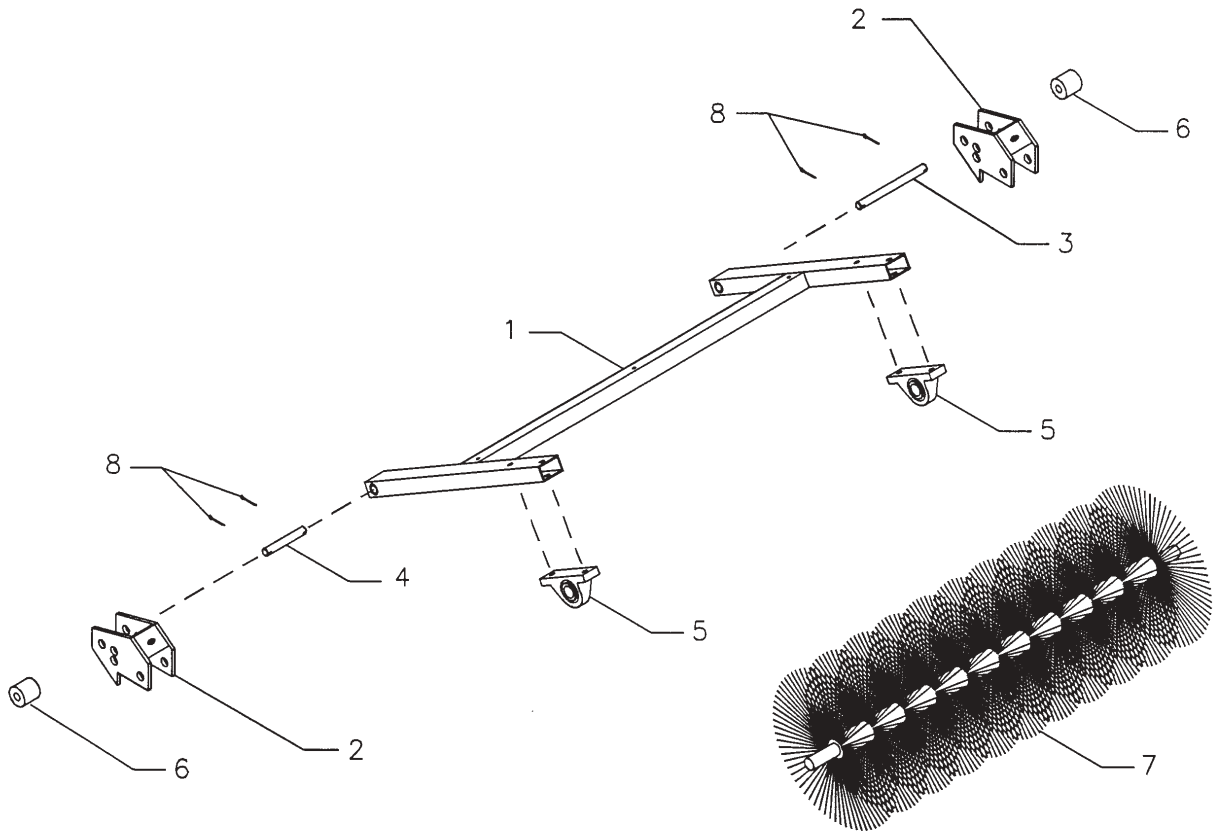
NO.	PART NO.	KEYWORD	DESCRIPTION	NO. REQ'D
--	T96X30	TROMMEL	96" DIA. X 30' LONG UNIT	A/R
1	92302	DRUM	OUTLET	1
2	92304	DRUM	INLET; T96X45(BR)	1
3	13677	SCREEN	3/8" OPENING; 48.3/16 I.R.	18
4	123887	PANEL	36" DRUM EXTENSION	6
5	123889	RING	STIFFENER: 36" DRUM EXT.	6
6	123888	CONNECTOR	36" DRUM EXTENSION	6
7	123608	GUSSET	DRUM EXTENSION; (T96)	6

PAGE 6



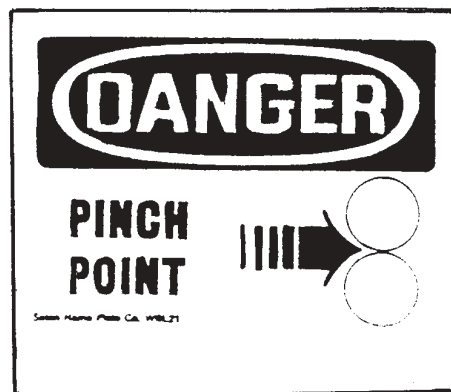
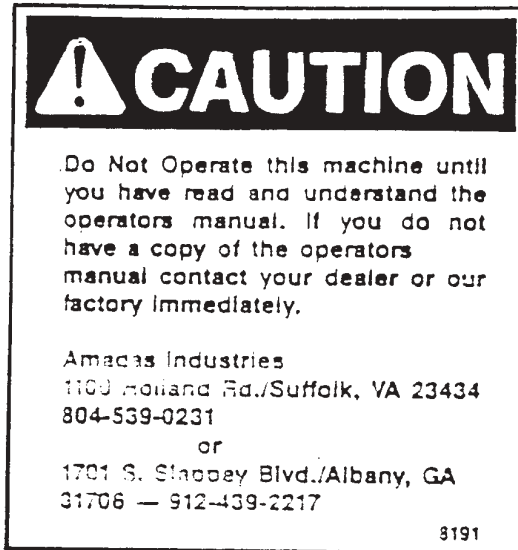
3. STAND ASSEMBLY

NO.	PART NO.	KEYWORD	DESCRIPTION	NO. REQ'D
--	70296	KIT	T96X30 STAND	A/R
1	93000	STAND	T96X30 TROMMEL; INFEEED	1
2	92999	STAND	T96X30 TROMMEL;MIDDLE	1
3	92998	STAND	T96X30 TROMMEL; DISCHARGE	1
4	93001	IBEAM	CRADLE SUPPORT	4
5	93002	TUBING	STAND GUSSET; LONG	2
6	93003	TUBING	STAND GUSSET; SHORT	4
7	124852	PLATE	IBEAM/STAND MOUNTING	8



4. BRUSH ASSEMBLY

NO.	PART NO.	KEYWORD	DESCRIPTION	NO. REQ'D
--	70297	KIT	T96X30 INNER BRUSH	A/R
--	70298	KIT	T96X30 OUTER BRUSH	A/R
1	80120	BRUSH	SPIRAL;52.1/4LGX16 OD.NYL	1
2	93004	MOUNT	T96X30 BRUSH ARM	2
3	10689	ROD	T96X30 BRUSH MT'G.....(70297)	2
4	10392	ROD	BRUSH ARM MNT'G;8.50 LG.....(70298)	2
5	3002	BEARING	1-3/16 RAK PILLOW BLOCK	2
6	4283EP	GROMMET	2"ODX3/4"IDX2"LG EP688	2
7	80120	BRUSH	SPIRAL;52.1/4LGX16 OD.NYL	1
8	2200	PIN	COTTER 3/16X1-1/4.....	4



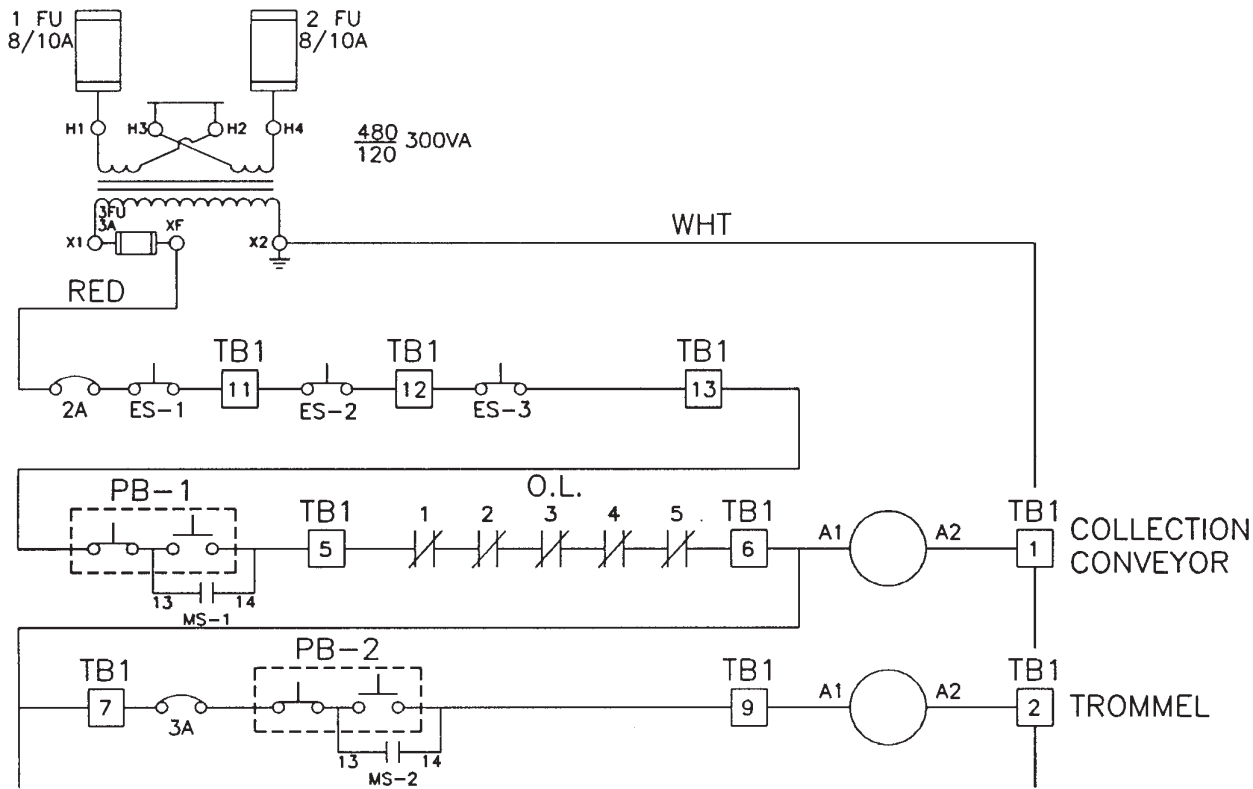
6. DECALS

NO.	PART NO.	KEYWORD	DESCRIPTION	NO. REQ'D
1	8188	DECAL	CAUTION: DO NOT OPERATE...SHIELDS	2
2	8191	DECAL	CAUTION: READ OP.MANUAL	8
3	8421	DECAL	DANGER:PINCH-POINT	10

NOTE: THE FOLLOWING DECALS ARE USED BUT
ARE NOT SHOWN.

--	8398	DECAL	AMADAS;36" GRAY	2
--	8991	DECAL	MAGNUM; SMALL	2
			T96X30	2

FOR ADDITIONAL DECAL INFORMATION NOT
SHOWN ON THIS PAGE, PLEASE REFER TO THE
OPERATOR'S MANUAL FOR LOCATION AND
ADDITIONAL SAFETY INFORMATION.



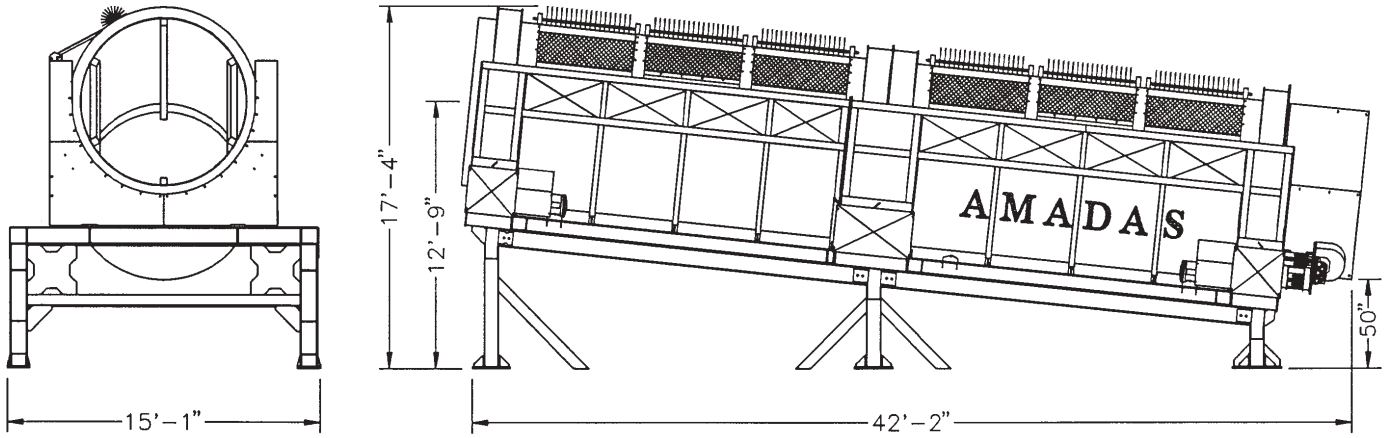
CONTROL LADDER DIAGRAM

- PB1, PB2 and ES-1 on Panel Door
- ES-2 and ES-3 are remote E-Stops
- Collection Conveyor (1) 5 HP motor
- Trommel (4) 7.5 HP motor

T96 X 30 TROMMEL SCREENING UNIT

APPROXIMATE WEIGHT IS 42,765 LBS.

PAGE 13



NUMERICAL PARTS INDEX

PART NO.	PAGE	PART NO.	PAGE	PART NO.	PAGE
B42	3	92304	5		
B45	3	92334	3		
S80080	3	92995	3		
S80121	3	92998	7		
T96X30	3,05	92999	7		
10392	9	93000	7		
10544	3	93001	7		
10563	3	93002	7		
10685	3	93003	7		
10689	9	93004	9		
11273	3				
11274	3				
11275	3				
11276	3				
123608	5				
123887	5				
123888	5				
123889	5				
124562	3				
124806	3				
124807	3				
124808	3				
124809	3				
124810	3				
124811	3				
124812	3				
124852	7				
124854	3				
124855	3				
13677	5				
15926	3				
1745	3				
20396	3				
20420	3				
2200	9				
3002	9				
3124	3				
3203	3				
4283EP	9				
51190	3				
51191	3				
5663	3				
61231	3				
70293	3				
70295	3				
70296	7				
70297	9				
70298	9				
80120	9				
8188	11				
8191	11				
8398	11				
8421	11				
8991	11				
92098	3				
92302	5				