

# T72x20 Generic Trommel Screening Unit

1st Edition

CAT183

Beginning Serial #A36662

---

Owner's Name \_\_\_\_\_  
Dealer's Name \_\_\_\_\_  
Serial Number \_\_\_\_\_ Model No. \_\_\_\_\_  
Date Purchased \_\_\_\_\_

# TABLE OF CONTENTS

CAT183  
1st Edition  
June 1, 1998

## T72x20 Generic Trommel Screening Unit

<b>Section</b>		<b>Page</b>
1	Frame, Drive and Thrust Wheel Assembly.....	3
2	Drum and Screen Assembly.....	5
3	Stand Kit Assembly.....	7
4	Spiral Brush Kit Assembly.....	9
5	Decal Section.....	11
6	T72x20 Specification Drawing.....	12
	Numerical Parts Index.....	13
	Warranty	

### NOTES

The Terms "Left" and "Right" used in the description of parts are determined by facing the direction of flow of material through the machine.

"A/R" found in the "No. Req'd" column denotes "As Required".

"OPT" found in the "No. Req'd" column denotes "Optional".

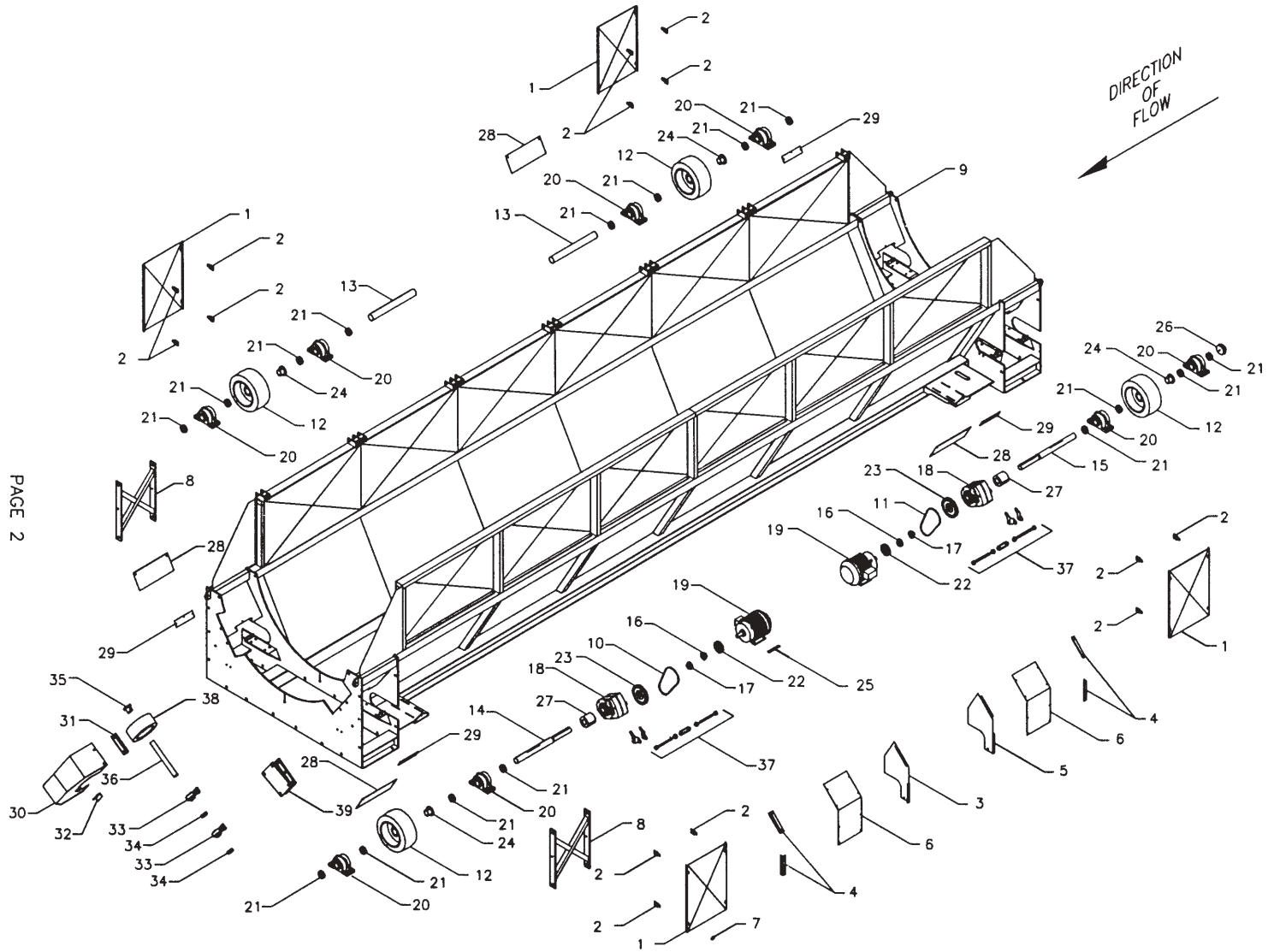
---

1100 Holland Road Suffolk, VA 23434 U.S.A.  
(757) 539-0231 / Fax - (757) 934-3264

1701 S. Slappey Blvd./P.O. Box 3687 Albany, GA 31706  
(912) 439-2217 / Fax (912) 439-9343

**AMADAS**  
INDUSTRIES

PAGE 2



72 X 20 SINGLE SPAN TROMMEL FRAME

SAVED AS F:\KENNY\CATALOG\72X20\FRAME.DWG

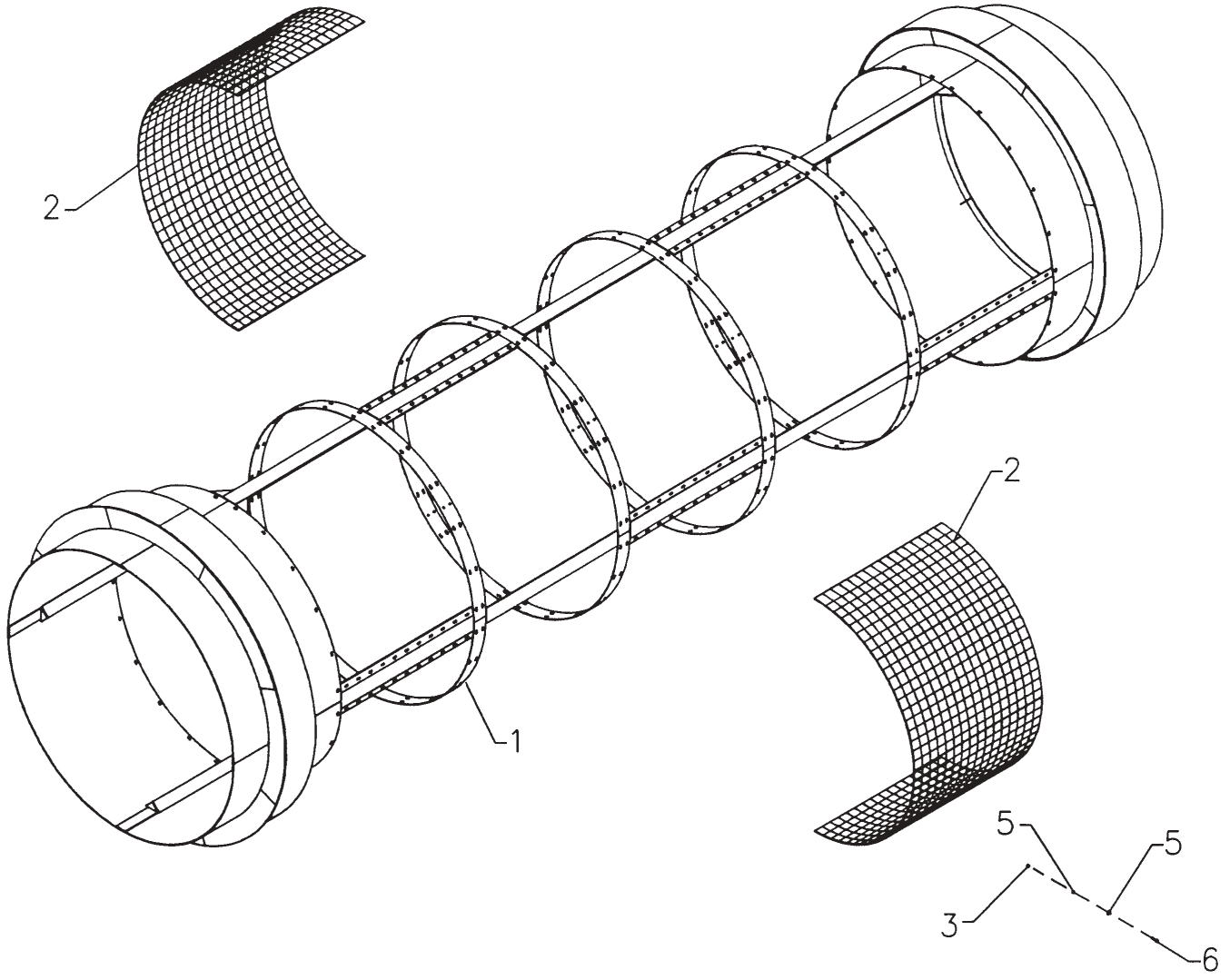
SCALE: FULL

KBK

20MAY98

1. FRAME, DRIVE & THRUST WHEEL ASSEMBLY

NO.	PART NO.	KEYWORD	DESCRIPTION	NO. REQ'D
--	70371	KIT	T72X20 GENERIC FRAME .....	
1	124561	SHIELD	WHEEL .....	4
2	124562	MOUNT	WHEEL SHIELD .....	16
3	124563	SHIELD	DRIVE; RIGHT .....	1
4	124564	MOUNT	DRIVE SHIELD .....	4
5	124568	SHIELD	DRIVE; LEFT .....	1
6	124569	SHIELD	DRIVE .....	2
7	1400	PIN	LYNCH, 1/4" STANDARD .....	16
8	92024	BRACE	CROSS .....	2
9	92938	FRAME	T72X20KI TROMMEL .....	1
--	70372	KIT	T72X20 GENERIC DRIVE .....	A/R
10	B42	BELT	B42 V-BELT .....	1
11	B46	BELT	B46 V-BELT .....	1
12	S8451	ASSEMBLY	D8X8X12.1/8 TIRE & RIM .....	4
13	10514	SHAFT	ROLLER IDLER .....	2
14	10610	SHAFT	DRIVE .....	1
15	10634	SHAFT	DRIVE W/TAPPED HOLE .....	1
16	11273	BUSHING	SDS X 1-3/8-KW QD .....	2
17	11274	BUSHING	SDS X 1-1/4-KW QD .....	2
18	11275	GEARBOX	14.88:1;9HP/HELICAL .....	2
19	15926	MOTOR	7.5/3P/460/1800/213T/TEFC .....	2
20	3151	BEARING	2.7/16 PILLOW BLOCK;ROLLER W/COLLAR ....	8
21	3125	COLLAR	2-7/16 ECCENTRIC LOCKING .....	A/R
22	5236	SHEAVE	1A6.0B6.4-SDS QD .....	2
23	5237	SHEAVE	1AB8.2B8.6-SDS QD .....	2
24	5461	BUSHING	Q2 2-7/16 .....	4
25	61231	ADJUSTER	MOTOR .....	2
26	80097	HUBODOMETR	TAMPER PROOF 500,000 ML W .....	1
27	20420	BUSHING	2-3/16" TWIN TAPERED .....	2
--	70373	KIT	T72X20 GEN THRUST WHEEL .....	
28	123340	SHIELD	WHEEL; LOWER .....	4
29	123525	COVER	SHIELD PLATE .....	4
30	124565	SHIELD	REACTION WHEEL .....	2
31	124566	MOUNT	LONG;REACT WHEEL SHIELD .....	4
32	124567	MOUNT	SHORT;REACT WHEEL SHIELD .....	4
33	3192	BEARING	2-3/16 PB; NON-RELUB. W/COLLAR .....	4
34	3087	COLLAR	2-3/16 ECCENTRIC LOCKING .....	A/R
35	5497	BUSHING	Q2 2-3/16 .....	2
36	60919A	SHAFT	THRUST ROLLER .....	2
37	11276	TURNBUCKLE	3/4" (USED W/11275) .....	A/R
38	S80080	ASSEMBLY	18X5X12.1/8 RIM & TIRE .....	2
39	92892	MOUNT	THRUST WHEEL BEARING .....	2



T72 X 20 SINGLE SPAN TROMMEL DRUM

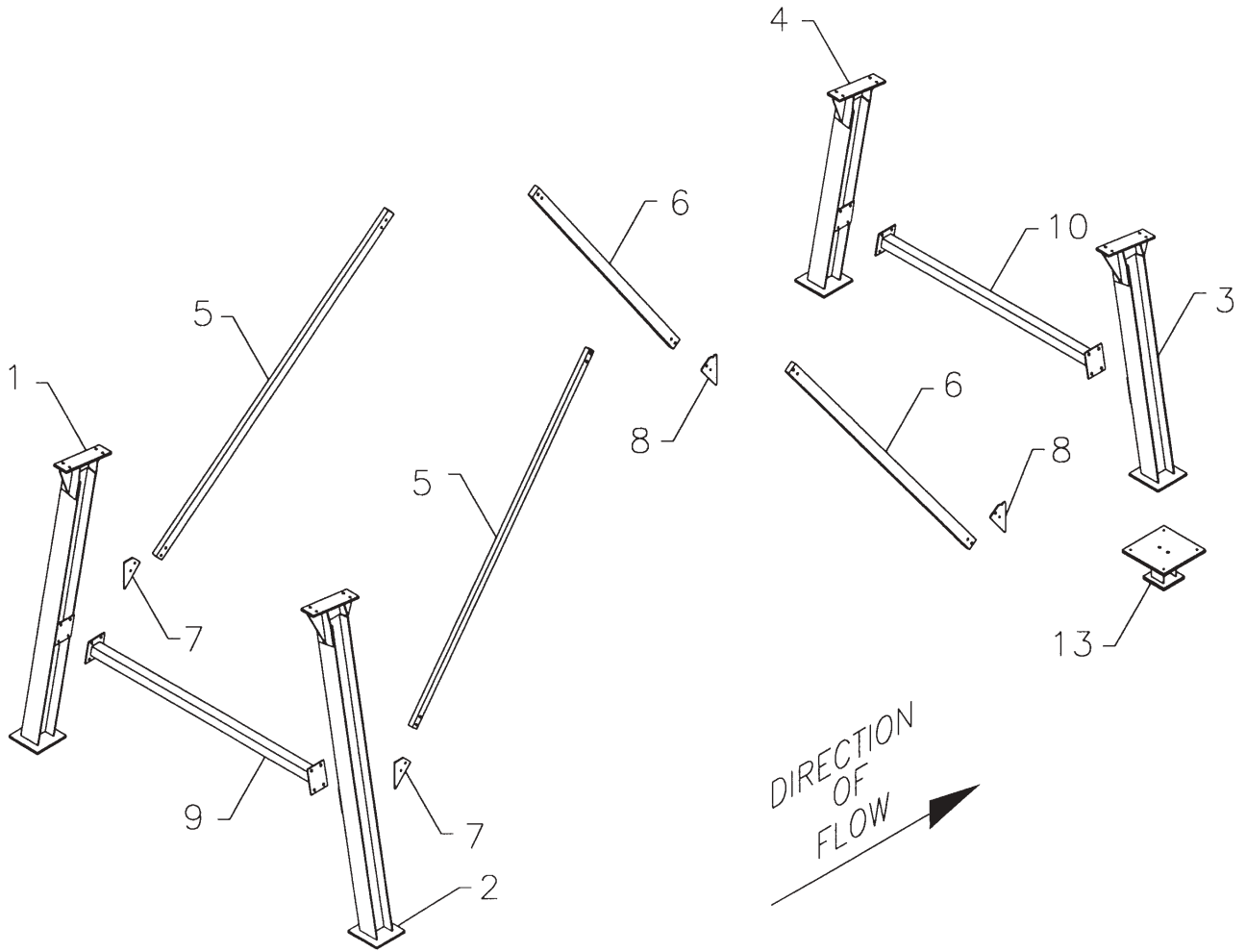
SAVED AS F:\KENNY\CATALOG\T72X20\DRUM.DWG

SCALE: FULL

KBK 21APR98

2. DRUM & SCREEN ASSEMBLY

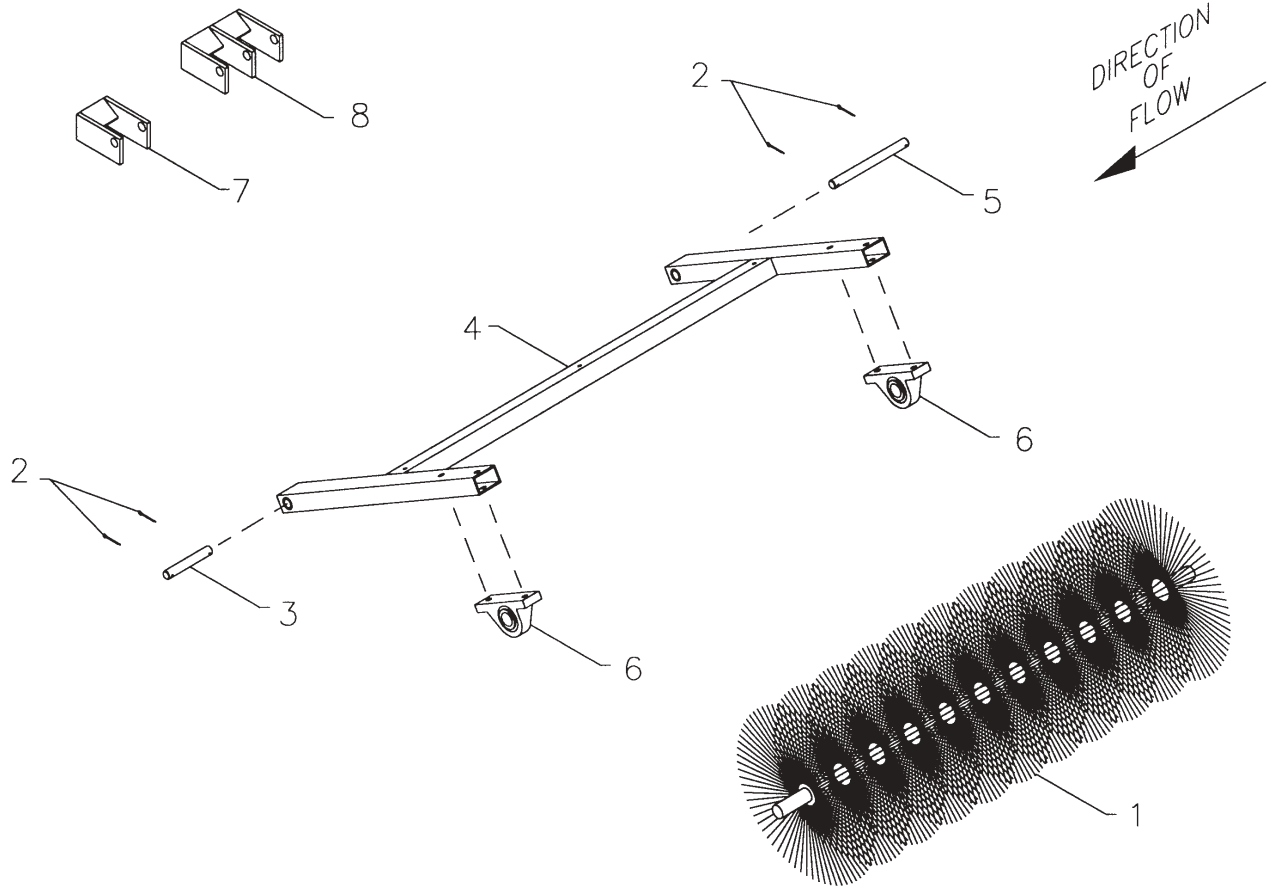
NO.	PART NO.	KEYWORD	DESCRIPTION	NO. REQ'D
--	70374	KIT	T72X20 GENERIC DRUM .....	
1	92282	DRUM	TROMMEL; T72X20 .....	1
2	13464	SCREEN	3/8" OPENING; ROLLED .....	10
3	G120377	NUT	3/8-16 USS, GRADE 5 .....	460
4	G120382	LOCKWASHER	3/8 .....	460
5	122711	WASHER	SCREEN;1.75 OD X .406 ID .....	508
6	G126402	BOLT	3/8-16X1-1/4 CARRIAGE .....	460



3. STAND KIT ASSEMBLY

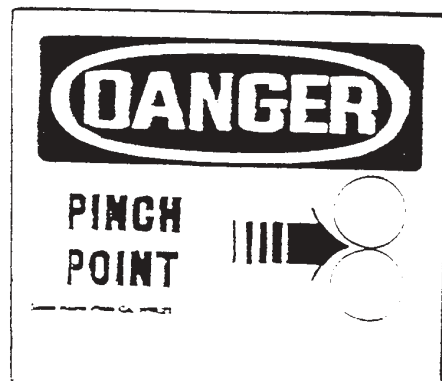
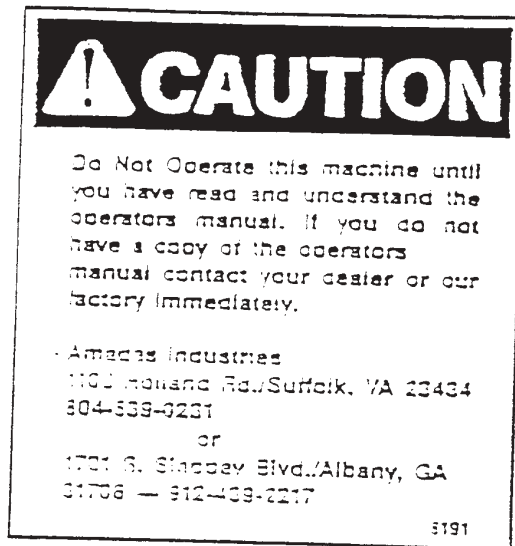
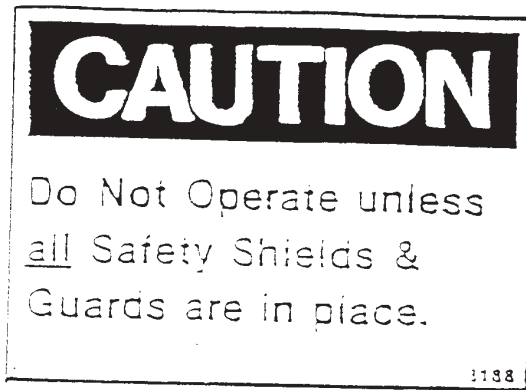
NO.	PART NO.	KEYWORD	DESCRIPTION	NO. REQ'D
--	70375	KIT	T72X20 GENERIC STAND .....	
1	92352	LEG	TROMMEL STAND; LEFT INFEEED .....	1
2	92351	LEG	TROMMEL STAND; RIGHT INFEEED .....	1
3	92353	LEG	TROMMEL STAND; RIGHT OUTLET .....	1
4	92354	LEG	TROMMEL STAND; LEFT OUTLET .....	1
5	92358	BRACE	CROSS; FRONT .....	2
6	92357	BRACE	CROSS; REAR .....	2
7	92359	MOUNT	CROSSBRACE; FRONT .....	2
8	92360	MOUNT	CROSSBRACE; REAR .....	2
9	92356	BRACE	TROMMEL STAND; FRONT .....	1
10	92355	BRACE	TROMMEL STAND; REAR .....	1





4. SPIRAL BRUSH KIT ASSEMBLY

NO.	PART NO.	KEYWORD	DESCRIPTION	NO. REQ'D
--	7466	KIT	SPIRAL BRUSH; OUTER .....	2
--	7467	KIT	SPIRAL BRUSH; INNER .....	3
			NOTE: THE ABOVE KITS EACH INCLUDE ALL ITEMS LISTED UNLESS OTHERWISE NOTED.	
1	8483	BRUSH	SPIRAL; 40-1/4 LG X 16 OD NYLON .....	1
2	2200	PIN	COTTER 3/16X1-1/4 .....	4
3	10391	ROD	BRUSH ARM MOUNT .....7466	1
4	91242	ARM	BRUSH .....	1
5	10392	ROD	BRUSH ARM MOUNT .....7466	1
--	10392	ROD	BRUSH ARM MOUNT .....7467	2
6	3002	BEARING	1-3/16 RAK PILLOW BLOCK .....	2
7	91238	MOUNT	BRUSH ARM, SINGLE .....	2
8	91239	MOUNT	BRUSH ARM; DOUBLE .....	4



5. DECALS

NO.	PART NO.	KEYWORD	DESCRIPTION	NO. REQ'D
1	8188	DECAL	CAUTION: DO NOT OPERATE...SHIELDS .....	2
2	8191	DECAL	CAUTION: READ OP.MANUAL .....	8
3	8421	DECAL	DANGER: PINCH-POINT .....	10

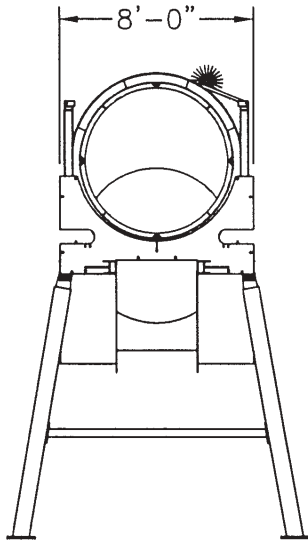
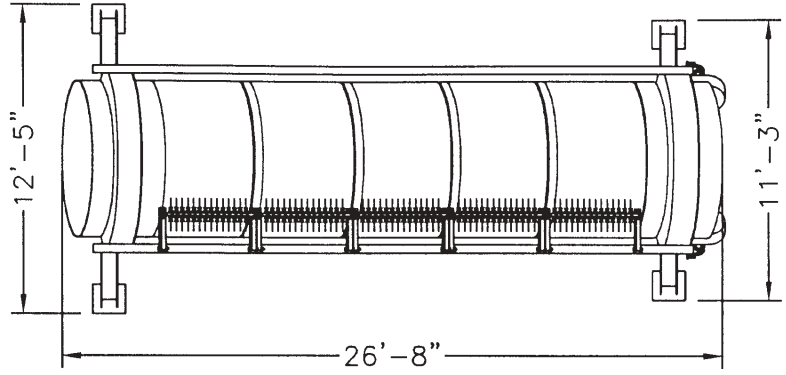
NOTE: THE FOLLOWING DECALS ARE USED BUT  
ARE NOT SHOWN.

--	8398	DECAL	AMADAS;36" GRAY .....	2
--	8991	DECAL	MAGNUM; SMALL .....	2

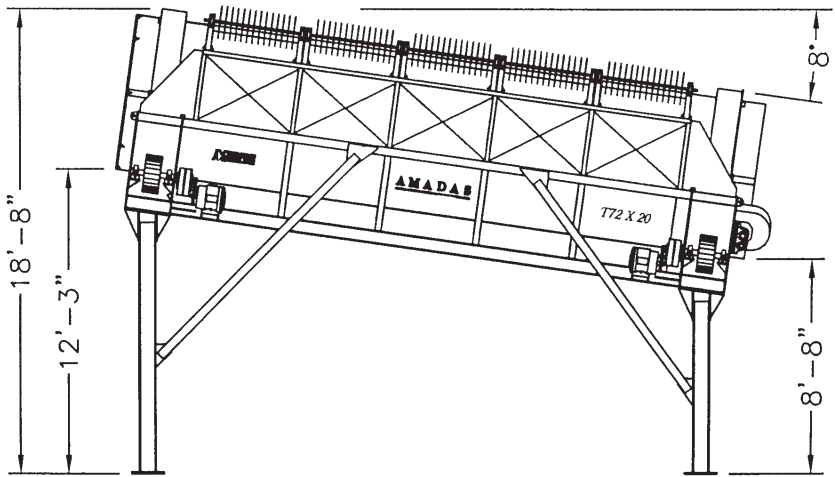
FOR ADDITIONAL DECAL INFORMATION NOT  
SHOWN ON THIS PAGE, PLEASE REFER TO THE  
OPERATOR'S MANUAL FOR LOCATION AND  
ADDITIONAL SAFETY INFORMATION.

# T72X20 TROMMEL SCREENING UNIT

APPROXIMATE WEIGHT IS 20,300 LBS.



PAGE 12



T72X20 TROMMEL SPECIFICATION DWG

SAVED AS F:\KENNY\CATALOG\T72X20\SPEC.DWG

SCALE=1:1

KBK

26APR98

NUMERICAL PARTS INDEX

PART NO.	PAGE	PART NO.	PAGE	PART NO.	PAGE
B42	3	8483	9		
B46	3	8991	11		
G120377	5	91238	9		
G120382	5	91239	9		
G126402	5	91242	9		
S80080	3	92024	3		
S8451	3	92282	5		
10391	9	92351	7		
10392	9	92352	7		
10514	3	92353	7		
10610	3	92354	7		
10634	3	92355	7		
11273	3	92356	7		
11274	3	92357	7		
11275	3	92358	7		
11276	3	92359	7		
122711	5	92360	7		
123340	3	92892	3		
123525	3	92938	3		
124561	3				
124562	3				
124563	3				
124564	3				
124565	3				
124566	3				
124567	3				
124568	3				
124569	3				
13464	5				
1400	3				
15926	3				
20420	3				
2200	9				
3002	9				
3087	3				
3125	3				
3151	3				
3192	3				
5236	3				
5237	3				
5461	3				
5497	3				
60919A	3				
61231	3				
70371	3				
70372	3				
70373	3				
70374	5				
70375	7				
7466	9				
7467	9				
80097	3				
8188	11				
8191	11				
8398	11				
8421	11				