

# HOBBS

## MODEL-855 BULK FEEDER AND FLOW CONTROL

### Parts Catalog

#### Contents

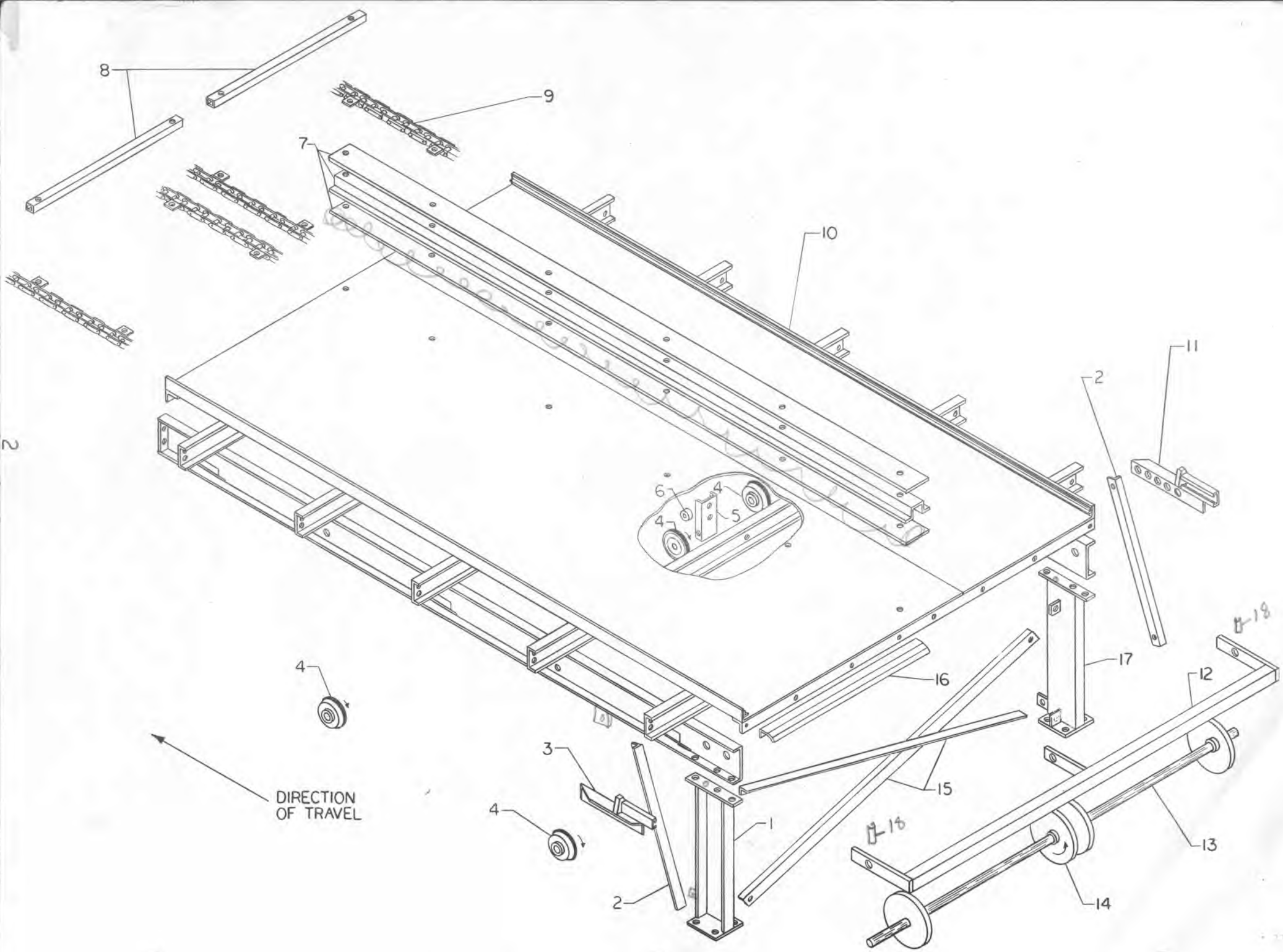
	page
Extending Frame Section.....	3
Hopper Section.....	5
Right Side Mechanical Section.....	7
Front End Section.....	9
Left Side Mechanical Section.....	11, 12
Warranty.....	13

#### NOTE

The words "Left" and "Right" used in the description of parts should be taken as seen facing the direction of travel of material through the machine. "Left" and "Right" used to describe parts of the conveyor section will be taken as seen facing the direction of travel of material on the conveyor.

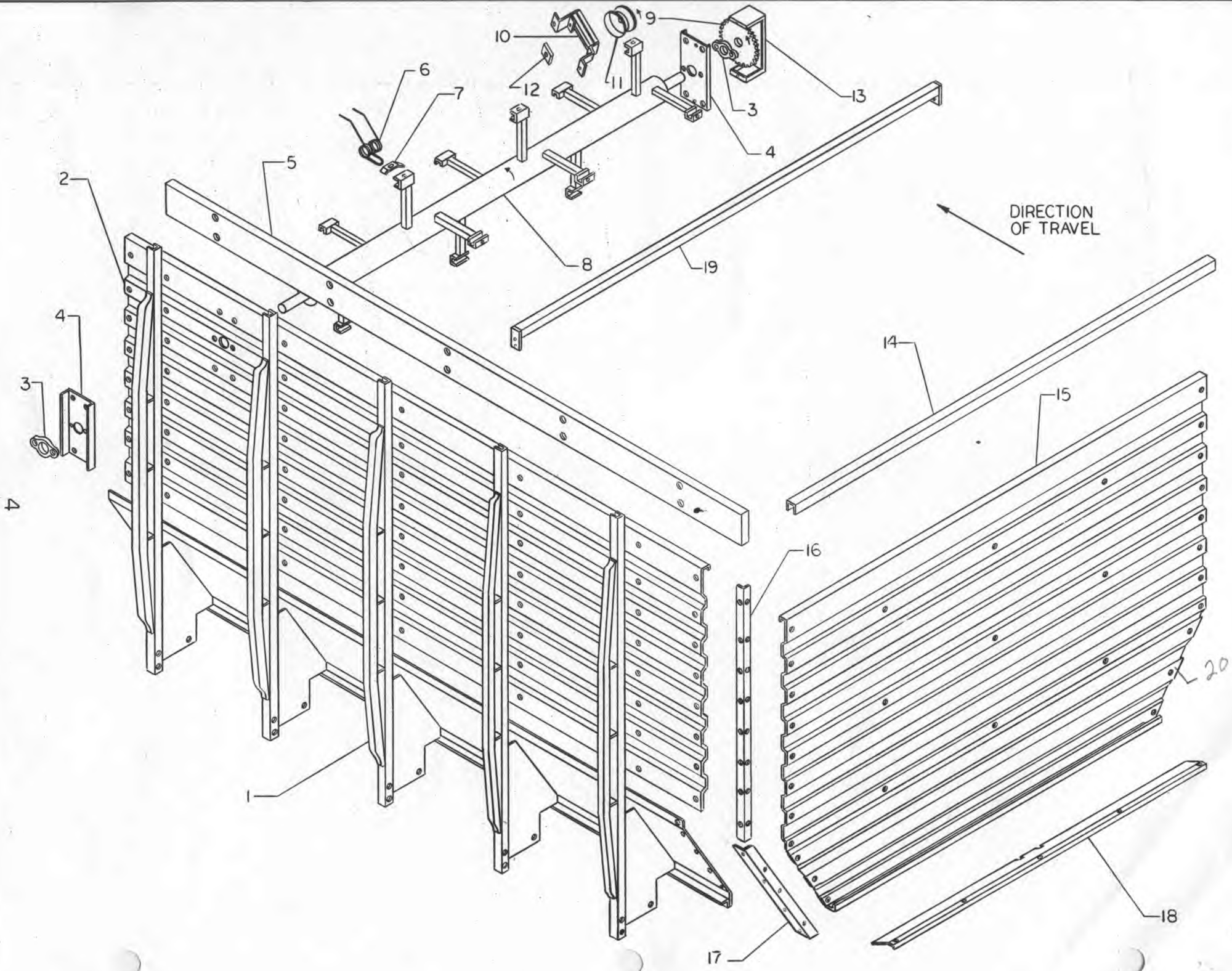
The parts listed in this catalog are for the 13 Ft. Bulk Feeder *with a right hand*  
If a 23 Ft. Bulk Feeder is owned and parts are to be replaced,  
refer to the Extending Frame Section and Hopper Section, on  
pages 3 and 5, for the correct part number.

*feed. If a left hand feed is owned and parts are to be replaced, refer  
to pages 7, 9 & 11. The parts listed "left hand feed" and "right hand feed"  
are the only ones which are involved when the change is made.*



EXTENDING FRAME SECTION

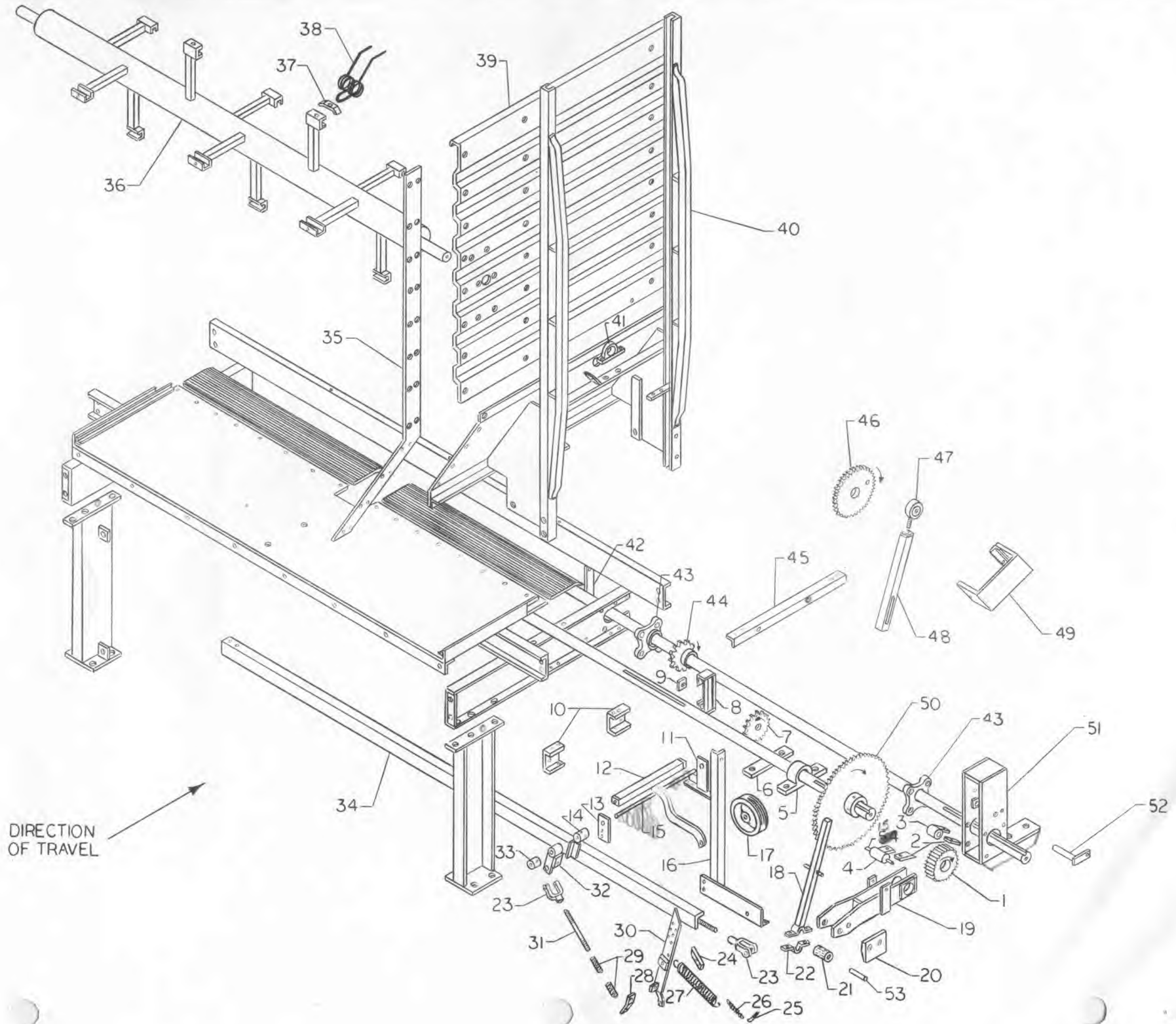
No.	Part No.	Description	No. Req'd
1	9222	Left Leg, Rear	1
2	9223	Leg Brace	2
3	6365	Adjusting Arm Guide, Left	1
4	5120	4" Cast Iron Idler w/Bearing	8
5	6368	Idler Mounting Channel	2
6	2031	Spacer, 21/32" Hole x 3/8" Wide	8
7	12394	Chain Guide Ass'y	1
8	6364	Drag Bar	As Req'd
9	4140	CA 550 w/A4 Attachment	As Req'd
10	9224	Bottom Frame Section	1
11	6366	Adjusting Arm Guide, Right	1
12	6367	Idler Adjusting Ass'y	1
13	10079	Idler Roller Shaft	1
14	5121	9" Idler <i>w/ bearing</i>	4
=	3028	1" bearing	<i>as req'd.</i>
15	5112	9" roller	<i>as req'd.</i>
15	9225	Cross Braces	2
16	12395	Curved Extension Plate	2
17	9226	Right Leg, Rear	1
18	2004	expansion pin $\frac{1}{4} \times 2$ "	2



HOPPER SECTION

No.	Part No.	Description	No. Req'd.
1	9227	Side Frame Assembly ( <i>right + left</i> )	2
2	12396	Corrugated Side (10 Ft.) <i>left</i>	<del>2</del> 1
	<i>12469</i>	" " " " <i>right</i>	1
3	3055	2 <sup>holes</sup> Flange Bearing w/1 3/16" Bore	2
4	12399	Bearing Mounting Plate	2
5	13022	Top Rail <i>13'</i>	2
	<i>13023</i>	<i>top rail 10' (used with 23' mach)</i>	2
6	7008	Double Torsion Spring	13
7	6047	Spring Clamp	13
8	5346	Agitator Bar Assembly	1
9	5124	40 B 48 w/1 3/16" Bore	1
10	6369	Chain Adjusting Bracket	1
11	5209	4" Idler w/Tie	1
12	2020	Adjusting Nut	1
13	12400	Chain Guard	1
14	9228	Rear Reinforcing Channel	3
15	12397	Corrugated Rear	1
16	9229	Edge Attaching Angle (Upper)	2
17	9230	Edge Attaching Angle, Lower Left	1
--	9231	Edge Attaching Angle, Lower Right	1
18	12398	Lower Deflector	1
19	9251	Top Cross Brace	1
20	<i>12470</i>	<i>corrugated rear bottom</i>	1

9



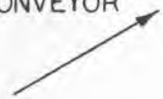
RIGHT SIDE MECHANICAL SECTION

No.	Part No.	Description	No. Req'd
1	5361	Ratchet Gear w/1 11/16" Bore, matched sets of 2 only	1 set
2	6218	Replaceable Ratchet Catch	2
3	6217	Pawl, Upper	1
4	6216	Pawl, Lower	1
5	3014	1 11/16" Pillow Block Bearing	1
6	9234	Bearing Shim	1
7	5122	Sprocket Idler w/ 5/8" Bore	1
8	6219	Idler Mount	1
9	2020	Tightener Adjusting Nut	1
10	9237	Conveyor Mounts	2
11	9246	Flow Regulator Mount, Front	1
12	6222 <i>6252</i>	Flow Regulator Arm + shaft <i>(for right hand feed)</i>	1
13	9247	Flow Regulator Mount, Rear <i>(for left hand feed)</i>	1
14	6227 <i>6253</i>	Collar Adjusting Angle <i>(for right hand feed)</i>	1
15	<del>10084</del> <i>1021</i>	<del>Flow Regulator Shaft</del> <i>hinge pin</i>	1
16	9248 <i>7339</i>	Extending Arm, Large <i>(for right hand feed)</i>	1
17	8032	Wheel, 1.75 x 8 <i>(for left hand feed)</i>	1
18	6214	Lower Ratchet Drive Arm w/pin	1
19	6215	Ratchet Ass'y	1
20	6213 <i>6236</i>	Dog, Large Right <i>(used on right hand feed)</i>	1
21	4044	Rubber Grommet <i>(used on left hand feed)</i>	1
22	9418C	Grommet Clamp	1
23	2041	Yoke, 3/8" SAE	2
24	6212	Dog, Small	2
25	----	Cotter Pin	1
26	1016	Spring Att'g Chain, 7 Links	1
27	7019	Spring	1
28	9249	Linkage Mounting Flat	1
29	7004	Spring	2
30	6223 <i>6255</i>	Dog Mounting Ass'y <i>(for right hand feed)</i>	1
31	6224	Linkage Rod, 8" Length w/ 3/8" Dia. <i>(for left hand feed)</i>	1
32	6228 <i>6254</i>	Collar Adjustment w/Screw <i>(for right hand feed)</i>	1
33	6225	Collar <i>(for left hand feed)</i>	1
34	6226	Cross Regulator Angle	1
35	12651	Attaching Strip	1
36	5347	Agitator Bar Assembly, Lower	1
37	6047	Spring Clamp	11
38	7008	Double Torsion Spring	11
39	12654	Corrugated Right Side (3 ft.)	1
40	9250	Right Side Frame, 3 ft. Section	1
41	3001	1 3/16" Pillow Block Bearing	1
42	9240	Reinforcing Flat	1
43	3023	4 Hole Flange Bearing w/1 11/16" Bore	2
44	5133	Sprocket, 60B 16 w/1 11/16" Bore	1
--	4143	No. 60 Chain (82 Pitches)	1
45	9242	Extending Arm Mounting Angle	1
46	5136	40B 48 w/1 3/16" Bore w/ Eccentric	1
47	3017	Bearing	1
48	6220	Upper Ratchet Drive Arm	1
49	12655	Chain Guard	1
50	5113	Sprocket, 60B 60 w/1 11/16" Bore	1
51	9239	Ratchet Gear Assembly, <i>right</i>	1
52	1015	Pawl Pin Ass'y	1
53	2026	Grommet Spacer	1
54	<del>1021</del>	<del>Hinge Pin</del>	<del>1</del>

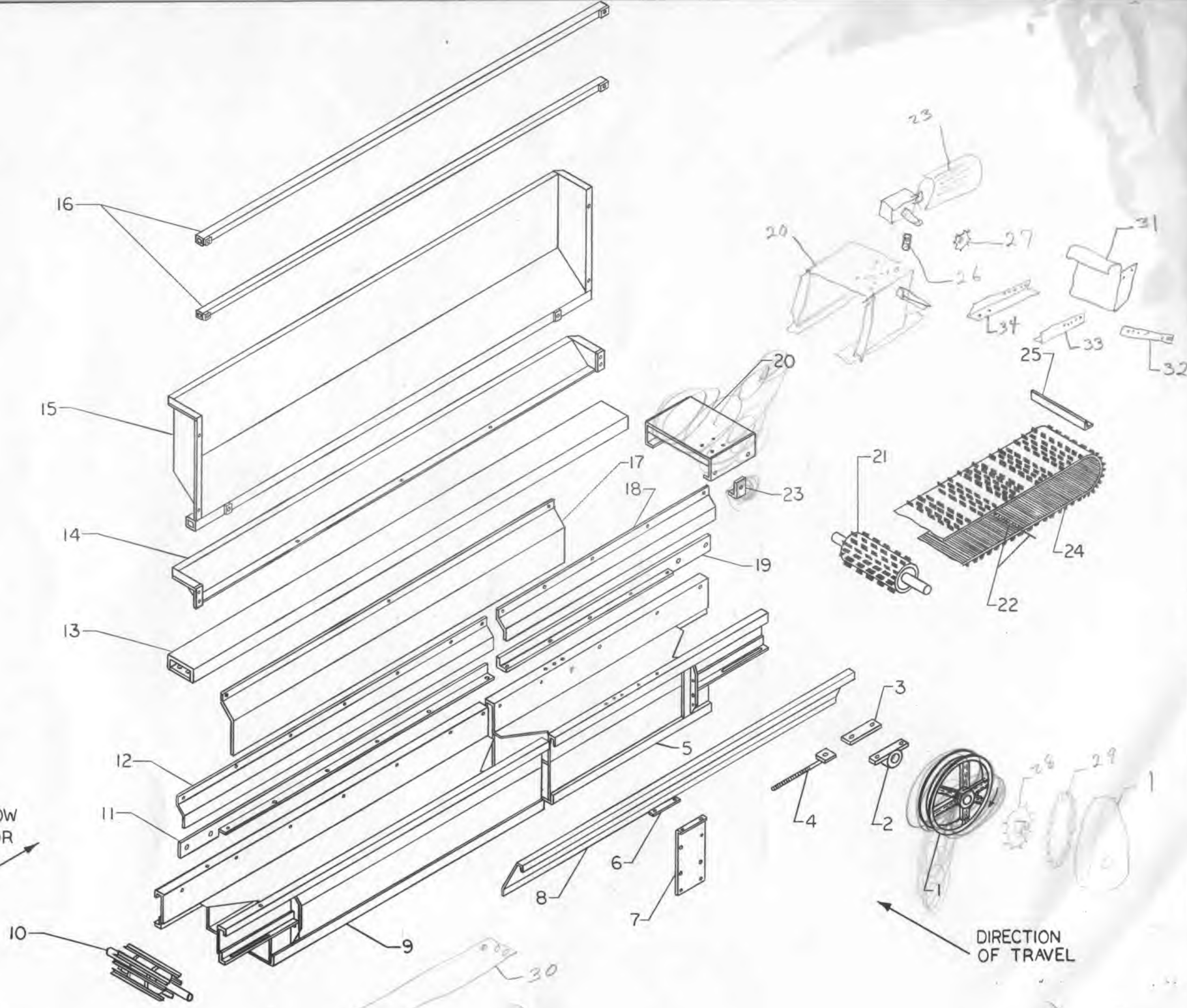
*are listed on pages 10-12.*

Note: The parts which are drawn but not numbered are only to clarify the location of parts. These parts are numbered and listed in the Left Side Mechanical Section on pages 10-12.

MATERIAL FLOW FOR CONVEYOR



DIRECTION OF TRAVEL

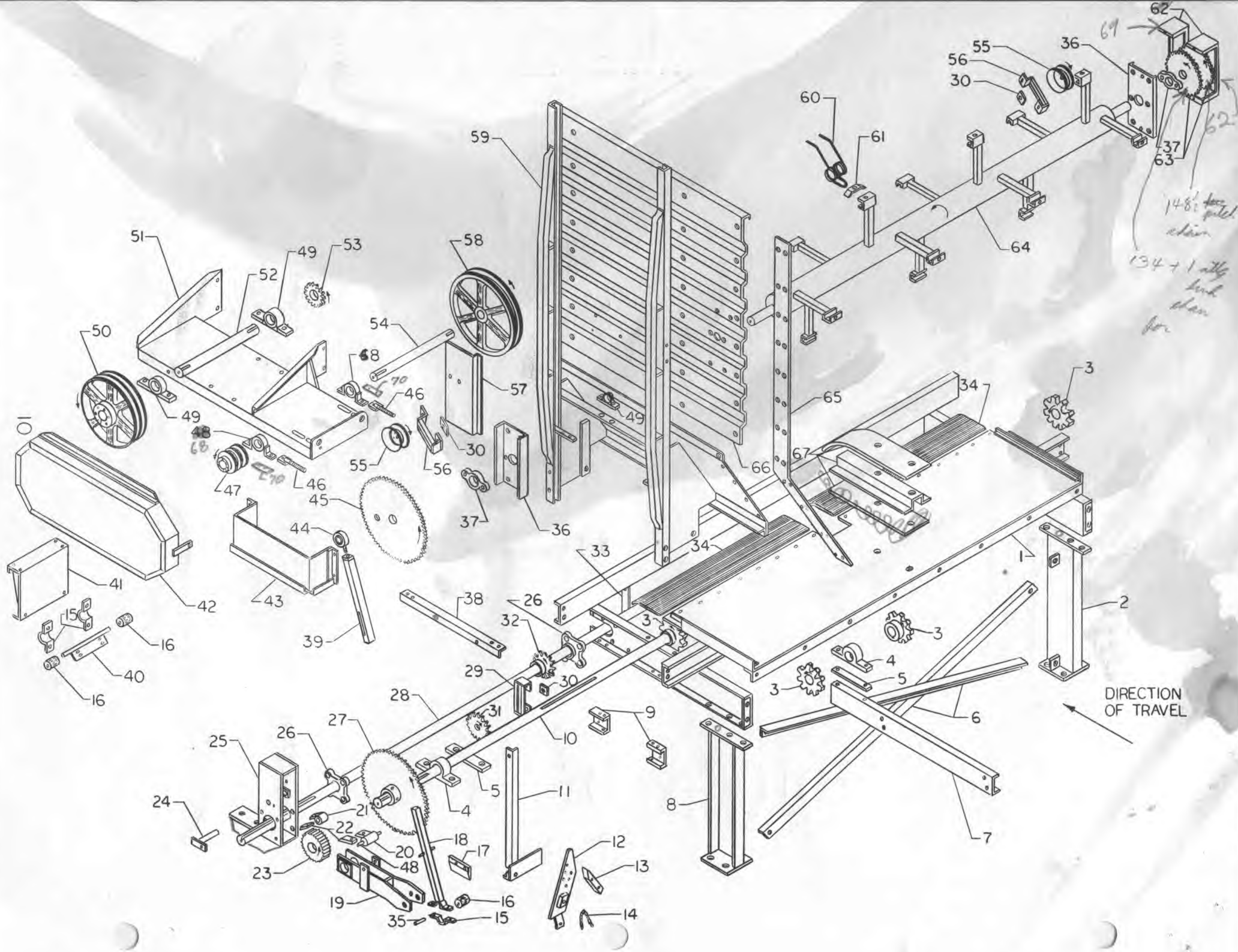




FRONT END SECTION

No.	Part No.	Description	No. Req'd
1	<del>5058</del> 12475	<del>1B 13.8 V Sheave w/ 1 3/16" Bore</del> chain shield	1
	<del>4100</del>	<del>B-58 V Belt</del>	<del>1</del>
	<del>5081</del>	<del>1B 3.8 V Sheave w/ 7/8" Bore (motor Pully - gearbox)</del>	<del>1</del>
2	3001	1 3/16" Pillow Block Bearing	4
3	6033	Bearing Tightener Flat	4
4	6321	Bearing Adjustment	4
5	<del>12242</del> 12676	4 ft. End Section 12" wide	1
6	6358	Joint Attaching Flat	2
7	12237	Joint Attaching Plate	2
8	12656	Deflecting Shield, Inner	1
9	<del>12245</del> 12673	6 ft. End Section 12" wide	1
10	5348 5354	12" Idler Roller (Ang <sup>l</sup> Type)	1
11	<del>12246</del> 12247	Belt Slide (L) 6 ft. Section left rear	1
--	<del>12247</del> 12246	Belt Slide (R) 6 ft. Section right rear	1
12	12239	Overlapping Side Shields, 6 ft. Section	2
13	9252	Front Cross Channel	1
14	12657	Lower Deflecting Shield	1
15	12658	Upper Deflecting Shield	1
16	9253	Top Front Cross Braces	2
17	12659	Deflecting Shield, Outer	1
18	12238	Overlapping Side Shields, 4 ft. Section	2
19	<del>12243</del> 12244	Belt Slide (L) 4 ft. Section left front	1
--	<del>12244</del> 12243	Belt Slide (R) 4 ft. Section right front	1
20	9254 6164	Motor Mount reduction gear mtg. assy. (12" conv.) right hand feed	1
21	5349 6139	12" Drive Roller w/Lagging " " left " "	1
22	4126	Belt Lacing, 12" and pin No. 15	1
23	<del>6229</del> 11017	Motor Mount Clamps 1 hp. motor, 3 places only	<del>1</del>
24	4120	12" Flighted Belting, by ft. 1 hp. 10-1' reduction gear	1
25	<del>6350</del> 6149	Flights (1/8" x 1" angle 10 3/4" long) 12" conv. as req'd	
26	1023	adjusting rod	4
27	5147	50 B 10 w/ 7/8" bore	1
28	5149	50 B 48 w/ 1 1/2" bore	1
29	4177	No. 50 chain 86 links	1
30	12797	12" wear plate (by ft.)	1
31	12900	stick picker	1
32	6422	extension flat	2
33	6421	right mtg. angle	1
34	6420	left mtg. angle	1

NOTE:  
 conveyor trough in 1 solid section may  
 be acquired, part no. is 12770 for 12" conv.  
 10' long



LEFT SIDE MECHANICAL SECTION

No.	Part No.	Description	No. Req'd
1	9232	Bottom Mechanical Section	1
2	9233	Leg, <del>Right</del> Front	1
3	5140	Drive Sprocket 9 Tooth w/1 11/16" Bore	4
4	3014	1 11/16" Pillow Block Bearing	2
5	9234	Bearing Shim	2
6	9225	Cross Braces	2
7	9235	Center Bearing Mtg. Channel	1
8	<del>9236</del> 9233	Leg, <del>Left</del> Front	1
9	9237	Conveyor Mounts	2
10	10080	Drive Shaft, 83 1/2" Length w/1 11/16" Dia.	1
11	9238 <sup>9340</sup>	Extending Arm <i>(for right hand feed)</i> <i>(for left hand feed)</i>	1
12	6211 <sup>6256</sup>	Dog Mounting Ass'y <i>(for right hand feed)</i> <i>(for left hand feed)</i>	1
13	6212	Dog, Small	2
14	1014	Att'g Chain	1
15	<del>9239</del> 6247	Grommet Clamp w/ $\frac{5}{16}$ hole	1
16	4044	Rubber Grommet	1
17	6236 <sup>6213</sup>	Dog, Large Left <i>(used on left hand feed)</i> <i>(used on right hand feed)</i>	1
18	6214	Lower Ratchet Drive Arm w/ pin	1
19	6215	Ratchet Ass'y	1
20	6216	Pawl, Lower	1
21	6217	Pawl, Upper	1
22	6218	Replaceable Ratchet Catch	2
23	5361	Ratchet Gear w/1 11/16" Bore, matched sets of 2 only.	1 set
24	1015	Pawl Pin Ass'y	1
25	<del>9239</del> 9448	Ratchet Gear Housing, <i>left</i>	1
26	3023	4 Hole Flange Bearing w/1 11/16" Bore	2
27	5113	Sprocket, 60B 60 w/1 11/16" Bore	1
28	10081	Ratchet Shaft, <del>810"</del> Length w/1 11/16" Dia. <i>97 1/4" long</i>	1
29	6219	Idler Mount	1
30	2020	Tightener Adjusting Nut	2
31	5122	Sprocket Idler w/ 5/8" Bore	1
32	5133	Sprocket, 60B 16 w/1 11/16" Bore	1
--	4143	No. 60 Chain 82 Pitches	1
33	9240	Reinforcing Flat	1
34	4141	Drag Flap	2
35	2026	Grommet Spacer	1
36	12399	Bearing Mounting Plate	2
37	3055	2 Flange Bearing w/1 3/16" Bore	2
38	9242	Extending Arm Mounting Angle	1
39	6220	Upper Ratchet Drive Arm	1
40	<del>6326</del> 6250	Motor Mount	1
41	9243	Motor Mounting Ass'y	1
42	12401	Belt Shield	1
43	12402	Chain Shield	1
44	3017	Bearing	1
45	5134	Sprocket, 60B 60 w/1 3/16" Bore, w/Eccentric	1
--	4142	No. 60 Chain (83 Pitches)	1
46	6020	Bearing Adjusting Screw	2
47	5043	2B 3.4 Sheave	1
--	5044	1" SH Bushing	1
48	1021	Hinge Pin	1

LEFT SIDE MECHANICAL SECTION

No.	Part No.	Description	No. Req'd
<del>48</del>	<del>3008</del>	<del>1" Pillow Block Bearing</del>	<del>2</del>
✓ 49	3001	1 3/16" Pillow Block Bearing	3
— 50	5002	2B12.4 Sheave	1
— --	5011	1 3/16" SK Bushing	1
— --	4080	B53 V-Belt	2
— 51	9244	Reduction Mounting Ass'y	1
— 52	10082	Reduction Shaft, 17" Length w/1 3/16" Dia.	1
— 53	5135	Sprocket, 60B 12 w/1 3/16" Bore	1
— 54	10083	Reduction Shaft, 17" Length w/1" Dia.	1
— 55	5209	4" Idler w/Tie	2
— 56	6221	Idler Mount	2
— 57	12403	Belt Shield	1
— 58	5004	1B13.8 Sheave w/1" Bore	1
— --	4080	B53 V-Belt	1
✓ 59	9245	Left Side Frame, 3Ft. Section	1
✓ 60	7008	Double Torsion Spring	13
✓ 61	6047	Spring Clamp	13
✓ 62	12400	Chain Guard	2
✓ 63	5124	40B48 w/1 3/16" Bore	2
✓ --	4144	No. 40 Chain (166 Pitches)	2
✓ 64	5346	Agitator Bar Assembly	1
✓ 65	12651	Attaching Strip	1
✓ 66	12650	Corrugated Left, Side 3 ft.	1
✓ 67	12653	Chain Guide Ass'y	1
— 68	3008	1" pillow block bearing	2
✓ 69	12471	chain guard	1
— 70	6021	bearing rty. flat	2

Model 855 - Bulk Feeder & Flow Control  
Numerical Parts Index

Part No.	Page	Part No.	Page	Part No.	Page	Part No.	Page	Part No.	Page
1014	11	<del>5110</del>	<del>3</del>	6220	7,11	9228	5	10082	12
1015	7,11	<del>5111</del>	<del>3</del>	6221	12	9229	5	10083	12
1016	7	5112 5113	3 7,11	6222	7	9230	5	11017 <del>10084</del>	9
1021 2004	7,11 3	5120	3	6223	7	9231	5	12237	9
2020	5,7,11	5121	3	6224	7	9232	11	12238	9
2026	7,11	5122	7,11	6225	7	9233	11	12239	9
2031	3	5124	5,12	6226	7	9234	7,11	12242	9
2041	7	5133	7	6227	7	9235	11	12243	9
3002	7,9,12	5134	7,11	6228	7	<del>9236</del>	<del>11</del>	12244	9
3008	12	5135	12	<del>6229</del>	<del>7</del>	9237	7,11	12245	9
3014	7,11	5136	7	<del>6230</del>	<del>7</del>	9238	11	12246	9
3017	7,11	5140	11	<del>6231</del>	<del>7</del>	9239	7,11	12247	9
3023	7,11	5209	5,12	<del>6232</del>	11	9240	7,11	12394	3
3055	5,11	5346	5,12	<del>6233</del>	<del>7</del>	9242	7,11	12395	3
4044	7,11	5347	7	6358	9	9243	11	12396	5
4080	12	<del>5348</del>	<del>9</del>	6364	3	9244	11	12397	5
<del>4081</del>	<del>9</del>	5349	9	6365	3	9245	12	12398	5
4120	9	6020	11	6366	3	9246	7	12399	5,11
4126	9	6033	9	6367	3	9247	7	12400	5,12
4140	3	6047	5,7,12	6368	3	9248	7	12401	11
4141	11	6139 6149 6164	9 9 11	7004	7	9249	7	12402	11
4142	11	6212	7,11	7008	5,7,12	9250	7	12403	12
4143	7,11	6213	7,11	7019	7	9251	5	12467 12470 <del>12471</del> 12475	5 5 12 9
4144	12	6214	7,11	8032	7	9252	9	12651	7,12
5002	12	6215	7,11	9222	3	9253	9	12653	12
5004	12	6216	7,11	9223	3	<del>9254</del>	<del>9</del>	12654	7
5011	12	6217	7,11	9224	3	9418-C	7,11	12655	7
5043	11	6218	7,11	9225	3,11	10079	3	12656	9
5044	11	6219	7,11	9226	3	10080	11	12657	9
				9227	5	10081	11	12658	9

12659 - 9  
12777-9  
12900-9  
13022 - 5  
13023-5

## WARRANTY

We warrant each new machine sold by us to be free from manufacturing defects in normal service for a period of six (6) months commencing with delivery of the machine to the original user.

Our obligation under this Warranty is expressly limited to the replacement or repair at Hobbs Engineering Company, Suffolk, Virginia, or at a point designated by us, of such part or parts as shall appear to us to have been defective.

We shall not be liable for consequential labor costs or transportation charges in connection with the replacement or repair of defective parts.

This Warranty does not apply to a machine upon which repairs or alterations have been made by others except with our written approval.

We make no Warranty with respect to trade accessories. They are subject to the warranties of their manufacturers.

We shall not be liable for consequential damages or contingent liabilities nor for the fitness of any machine for any particular purpose.

We make no other express, implied, or statutory Warranty, nor is anyone authorized to make any in our behalf.

## IMPROVEMENTS

Hobbs Engineering Company is constantly striving to improve its machines. Changes in design and improvement will be made whenever the manufacturer believes the efficiency of the machines will be improved thereby, but without incurring any obligations to incorporate such improvements in any machines which have been shipped or are in service.